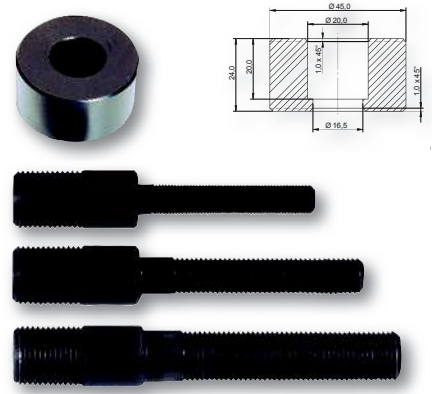


Spare parts

Packing unit: individual plastic packing

	Article no.
Distance sleeve	109 000
Adapter bolt MF 10 x 1,0, 3/4" UNF fitting	109 110
Adapter bolt MF 12 x 1,5, 3/4" UNF fitting	109 112
Adapter bolt MF 16 x 1,5, 3/4" UNF fitting	109 116
Replacement bolt MF 8 x 1,0 x 40, grade 12,9	103 108
Replacement bolt MF 10 x 1,0 x 45, grade 12,9	103 110
Replacement bolt MF 12 x 1,5 x 55, grade 12,9	103 112
Replacement bolt MF 16 x 1,5 x 60, grade 12,9	103 116
Replacement bolt with ball-bearing MF 10 x 1,0 x 50 grade 12,9	103 110 K
Replacement bolt with ball-bearing MF 12 x 1,5 x 60 grade 12,9	103 112 K
Replacement bolt with ball-bearing MF 16 x 1,5 x 70 grade 12,9	103 116 K



The adapter bolts may be used on all standard hydraulic punches.

