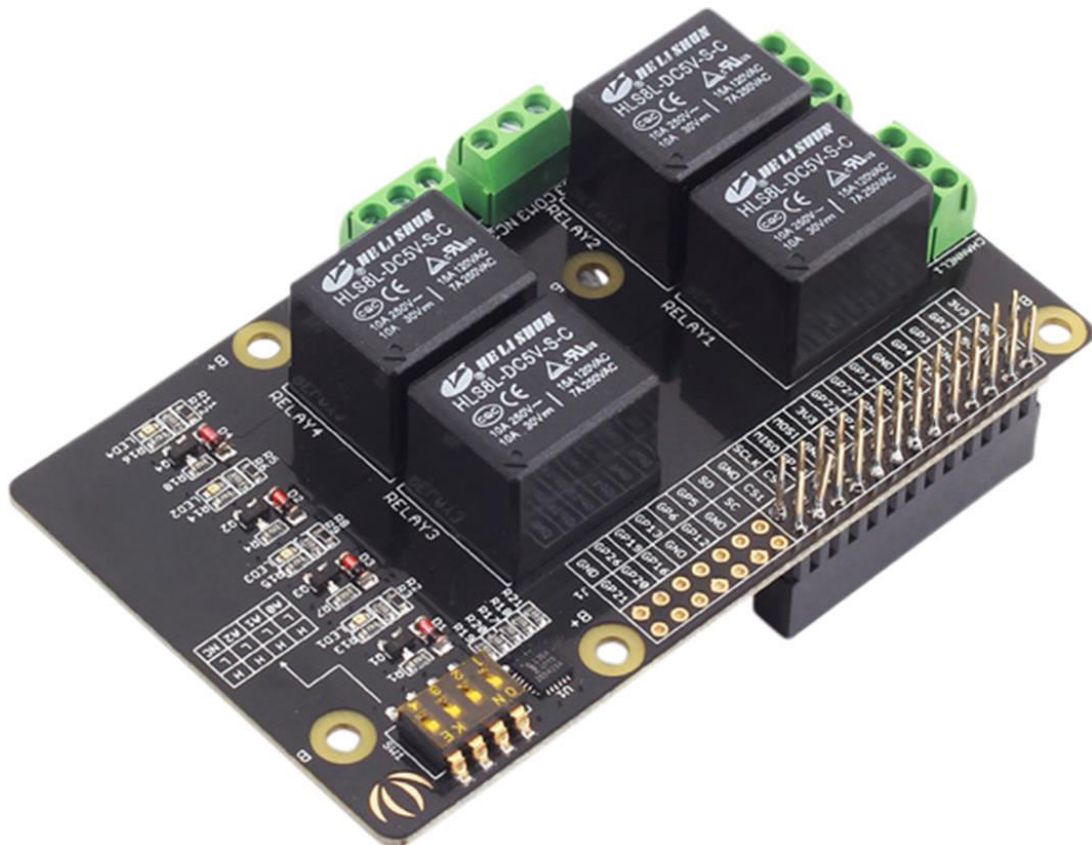




seeed studio
The IoT Hardware Enabler

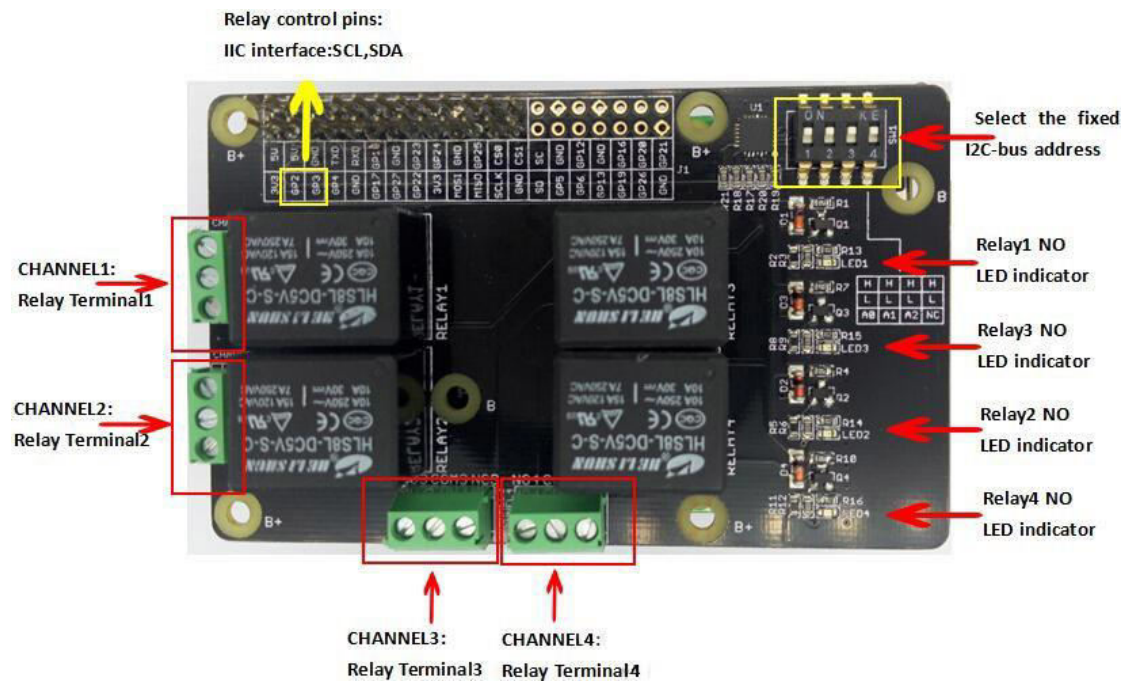


The Relay Shield utilizes four high quality relays and provides NO/NC interfaces that control the load of high current. Which means it could be a nice solution for controlling devices that couldn't be directly controlled by IIC bus. Standardized shield form factor enables smoothly connection with the Raspberry Pi. The shield also has four dynamic indicators show the on/off state of each relay.

Features

- Raspberry Pi compatible
- Interface:IIC , Three hardware SW1 (1, 2, 3) select the fixed I2C-bus address
- Relay screw terminals
- Standardized shield shape and design
- LED working status indicators for each relay
- COM, NO (Normally Open), and NC (Normally Closed) relay pins for each relay
- High quality relays
- Working status indicators for each relay

Specification



Compatible:Raspberry Pi ; Other main board via jumpers;
Power supply:4.75~5.5V ;
Max Switching Voltage:30VDC/250VAC;
Max Switching Current:15A ;
Frequency:1Hz;
Dimensions:91.20 * 56.15*32mm;

Technical details

Dimensions	130mm x60mm x32mm
Weight	G.W 79g
Battery	Exclude

Part List

Relay Board	1
-------------	---

ECCN/HTS

ECCN	EAR99
HSCODE	85364110
USHSCODE	85364100
UPC	841454100089