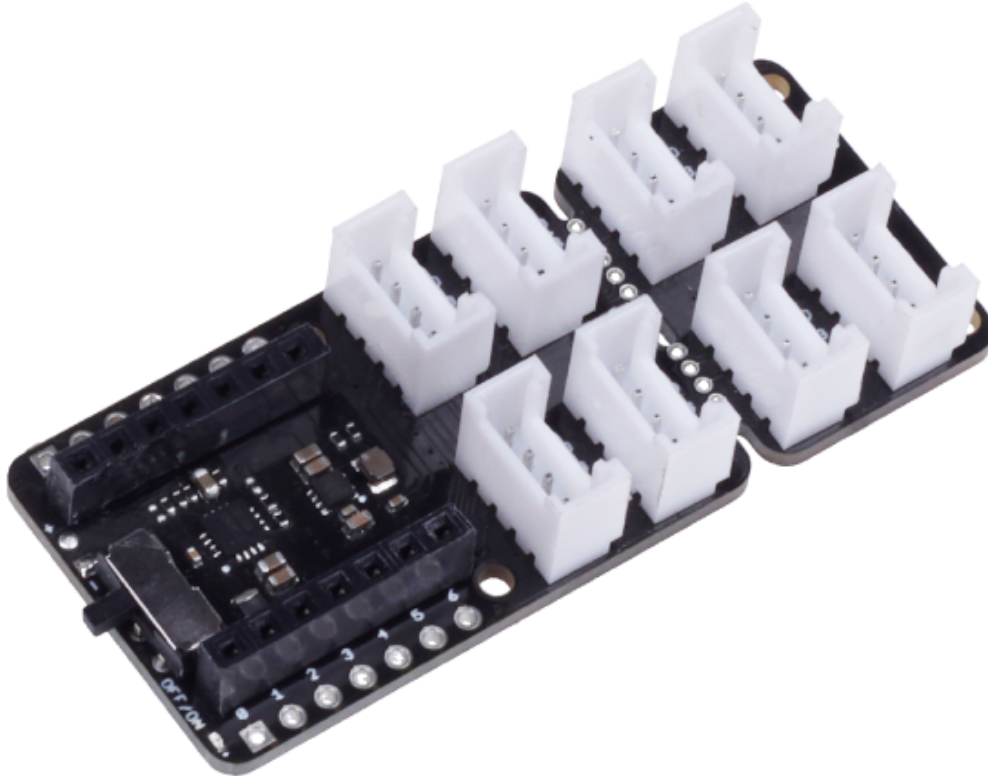


Grove Shield for Seeeduino XIAO - with embedded battery management chip



PRODUCT DETAILS

Feature

- On-board Lithium Battery Charging and Management Function
- Grove connectors (Grove IIC*2, Grove UART*1), all 14 GPIO led out
- Compact and Breakable Design
- SPI-Flash Bonding Pad Reserved
- On-board Power Switch and Charging Status Indicator Light

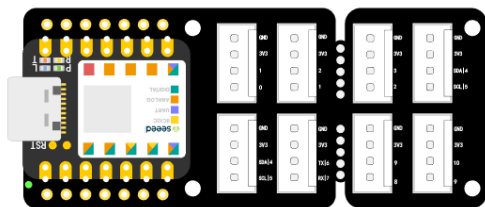
Description

Seeeduino XIAO has been becoming more and more popular in our community since it was released! As we have Grove Shield for many mainstream boards for easy test and better use of our Grove modules, many fans of Seeeduino XIAO have been asking whether we will have a Grove Shield for it, the much-anticipated Grove Shield for Seeeduino XIAO is now on board!

It's a plug-and-play Grove extension board for Seeeduno XIAO. This Shield helps you get rid of jumper wires and soldering work by pulling out the pins of the Seeeduno XIAO and expands to 8 Grove connectors, including two Grove IIC and one UART. It acts as a bridge for Seeeduno XIAO and Seeed's Grove system, which provides 300+ of different Grove modules including sensor, actuator, communication, display, etc. No more jumper wires and soldering work, you could enjoy creating more projects with Seeeduno XIAO easily and quickly.

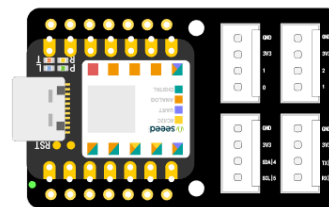
With the on-board battery management chip and battery bonding pad, you could easily power your Seeeduno XIAO with lithium 3.7V battery and recharge it, making your projects, especially wearables ones, more flexible and in portable. You could even break the board through the onboard PCB stamp holds according to your actual needs of the project (only 25*39mm in dimension after break-off), making it smaller than smaller.

Before Break-off



25*58mm

After Break-off



25*39mm

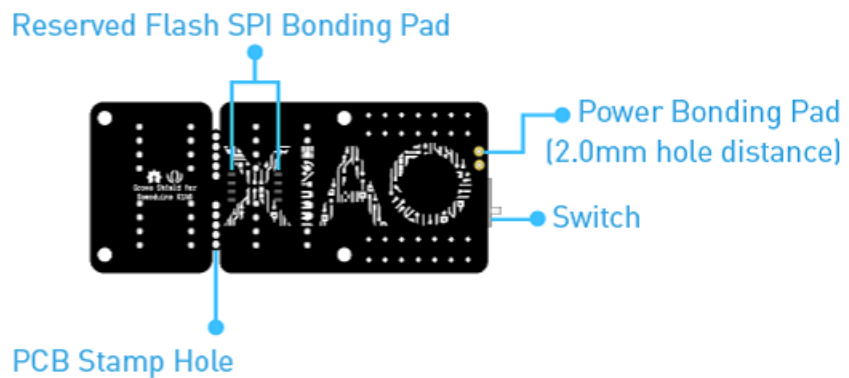
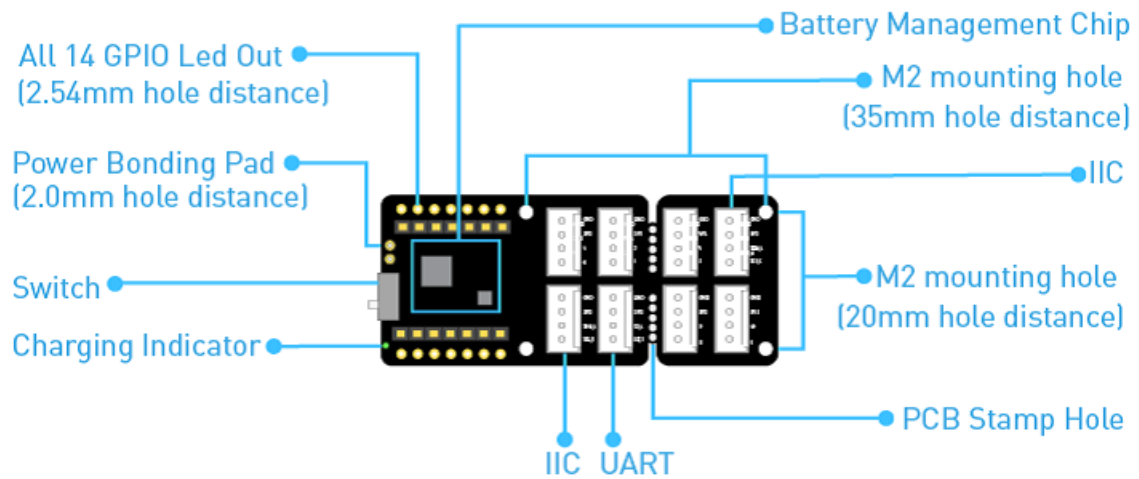
As an extension board, the Grove Shield for Seeeduno XIAO also pulls all 14 pinout from Seeeduno XIAO, and its on-board power switch and charging status indicator light makes it more user-friendly. The Shield even reserves the SPI-Flash bonding pad for an advanced developer who may need to add Flash to Seeeduno XIAO to expand its memory space, providing Seeeduno XIAO with more possibilities.

If you are a fan of Seeeduno XIAO already, you would not miss this Grove Shield; if you are hesitating to have one because of the scare of soldering works, it is the chance to start the wonderful experience with Seeeduno XIAO now!

Note

A pair of non-soldered 7-pin headers are accompanied in the product of Seeeduno XIAO. You could solder them before connecting Seeeduno XIAO with this Shield by plugging the soldered pin headers into the female headers on the Shield.

Hardware Overview



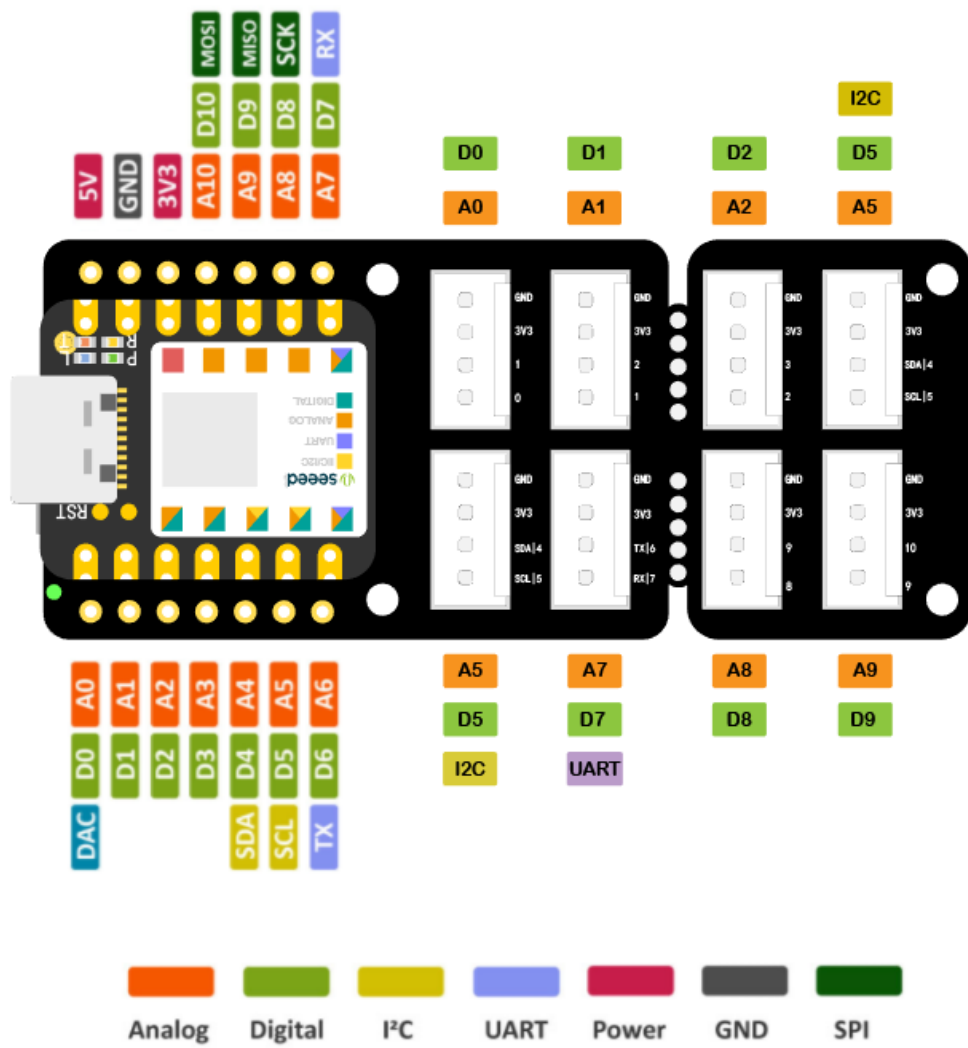
Application

- Wearable devices
- Rapid prototyping
- Grove modules testing
- Projects require small size

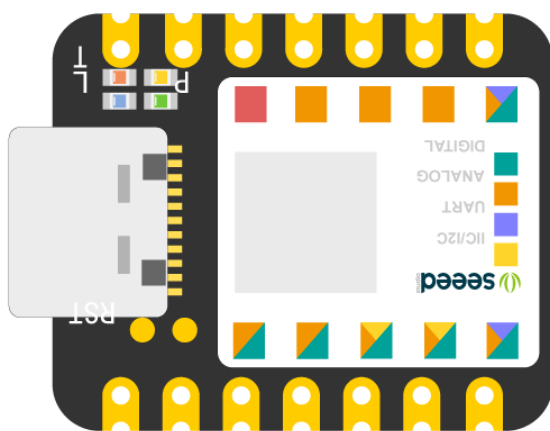
Specification

Parameters	values
Power Supply	5V / 3.7V Lithium Battery
Load Capacity	800mA
Charging current	400mA (Max)
Operating Temperature	- 40°C to 85°C
Storage Temperature	-55°C to 150°C
Grove Interface	Grove * 8 (IIC*2 / UART*1)

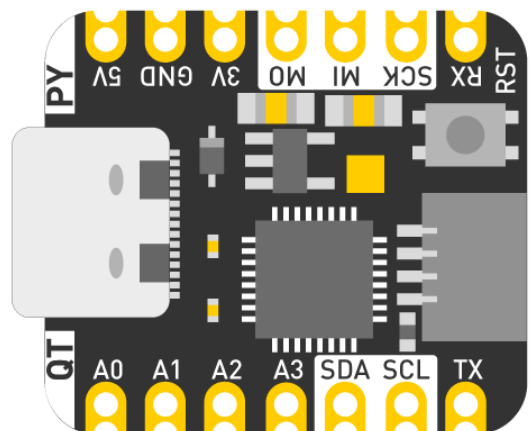
Pinout



Supported Boards



Seeeduino XIAO



Adafruit QT Py

Part list

Items	Quantity
Grove Shield for Seeeduino XIAO	1
1*7pins male header	2

Note

This product does not include a Seeeduino XIAO, please click [here](#) if you need one.

What is Grove?

Grove makes it easier to connect, experiment, and simplify the prototyping process. No jumpers or soldering required. We have developed more than 300 Grove modules, covering a wide range of applications that can fulfil a variety of needs. Not only are these open hardware, but we also have open-source software.

Note

For all Grove users (especially beginners), we provide you with the guidance of operation. Please read the [instructions](#) through the official website before your using the product.

ECCN/HTS

HSCODE	8543709990
--------	------------

USHSCODE	8471490000
----------	------------

UPC
