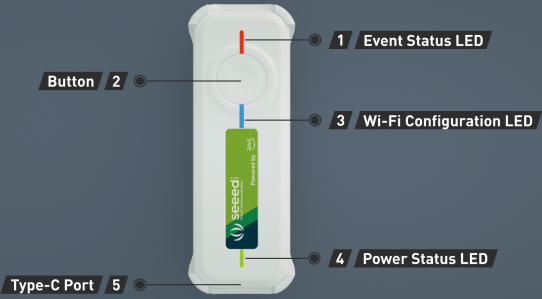


# Seed IoT Button For AWS - Instruction Manual



## Hardware Overview



## Before Starting

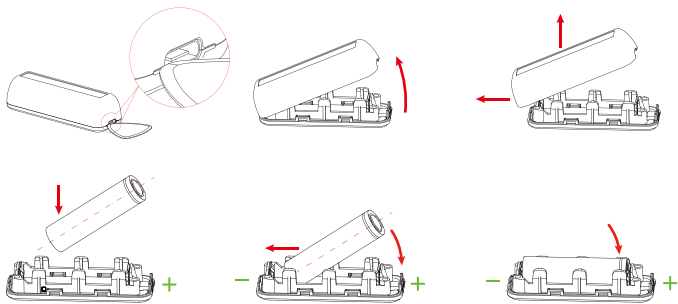
To use this button, you need to have the following two items:

- An NCR18650B chargeable Li-ion battery
- A Type-C USB cable

## Battery Installation Guide

Since the battery is not included in this package, we recommend you buy the NCR18650B chargeable Li-ion battery. Please follow the Battery installation guide below.





## Device Activation

When using the device for the first time, you must install the battery and charge it by connecting the device to a computer or power adapter using a USB Type-C cable. When the power status LED is green, it indicates the battery is charging.

**Note :**

When the Power Status LED is red, it indicates that the battery is reversed!

## LED Status Table

Power LED Status	Indication
Green ON	Battery Charging
Green OFF	Battery Finished Charging
Red	Battery Reversed
Event LED Status	Indication
White flashes --> Green	Event sent successfully
White flashes --> Red	Event sent failed
White flashes --> Orange	Wi-Fi connection failed, please check router or change network configuration
White flashes --> Purple	The server connection failed, please check the network environment
Red Steady	The certificate has not been flashed or the certificate is invalid
Wi-Fi Configuration LED Status	Indication
Blue flashing	BLE network configuring

For more information and instructions on how to connect the button to your Wi-Fi using the iOS or Android app, please visit our wiki:

<http://wiki.seeedstudio.com/SEEED-IOT-BUTTON-FOR-AWS/>



For more information please scan the QR code or visit our website:  
<https://www.seeedstudio.com/>

