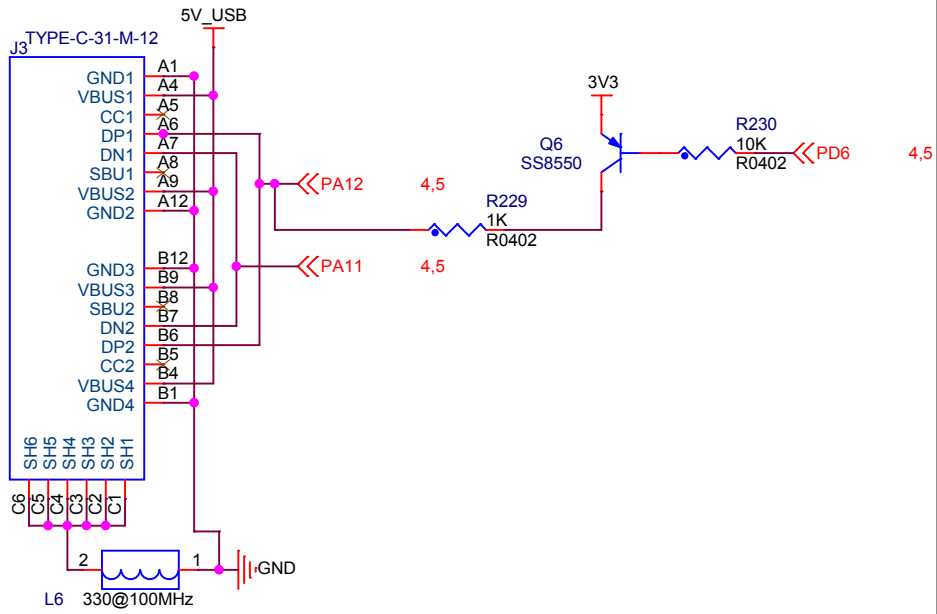
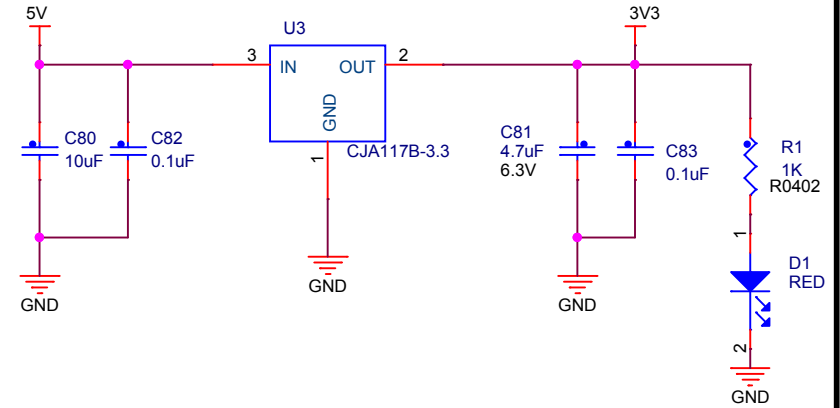


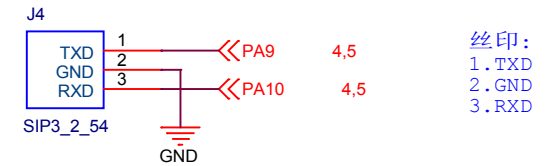
USB Device



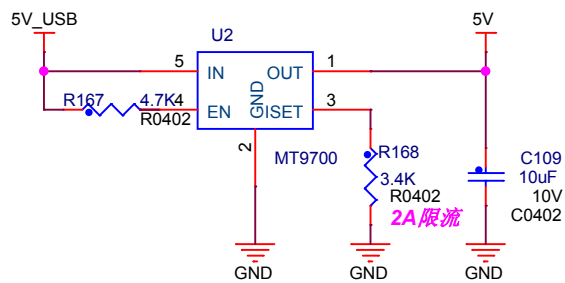
LDO 3.3V



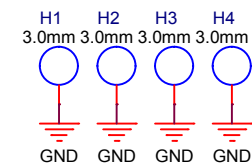
Debug UART



5V output overcurrent protection



Positioning hole

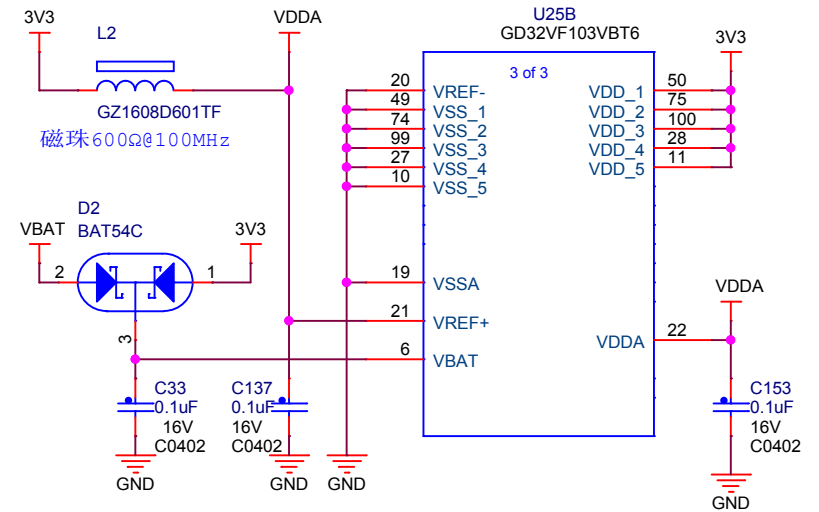
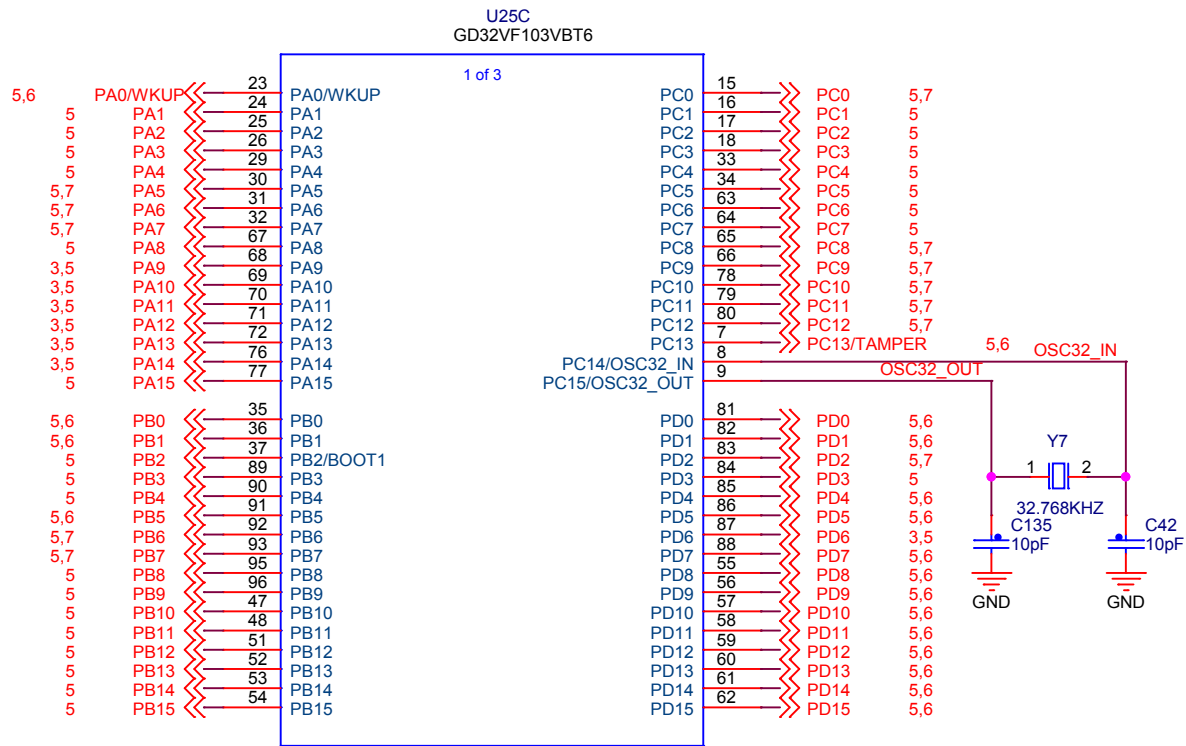


东莞野火电子有限公司
https://fire-stm32.taobao.com

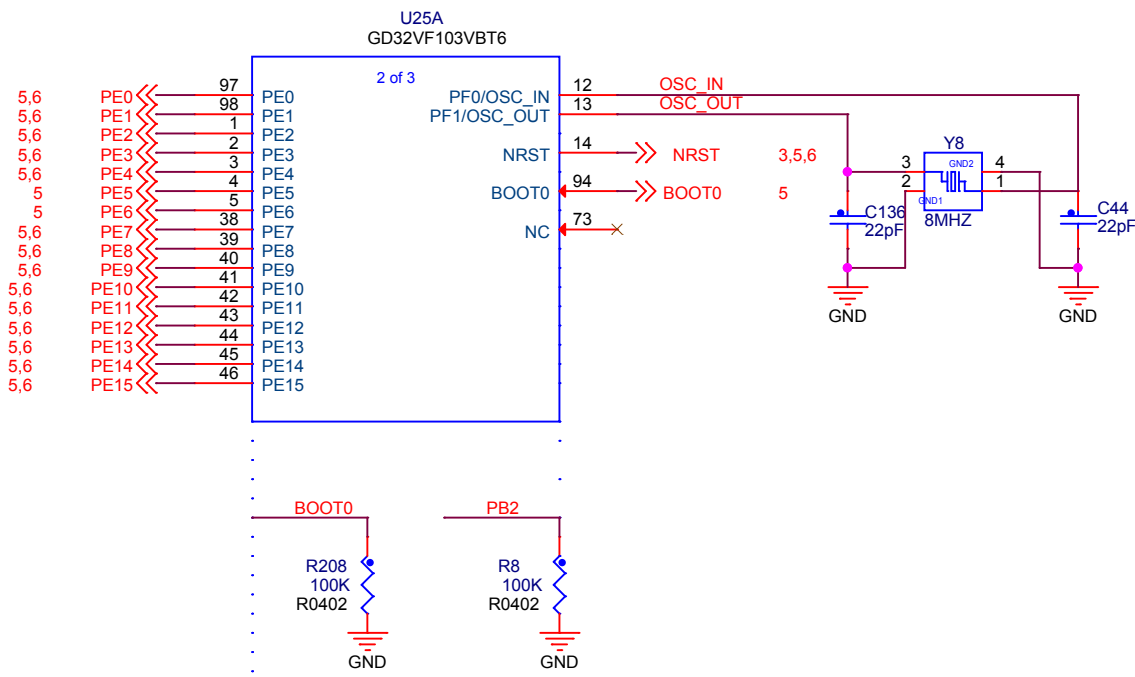
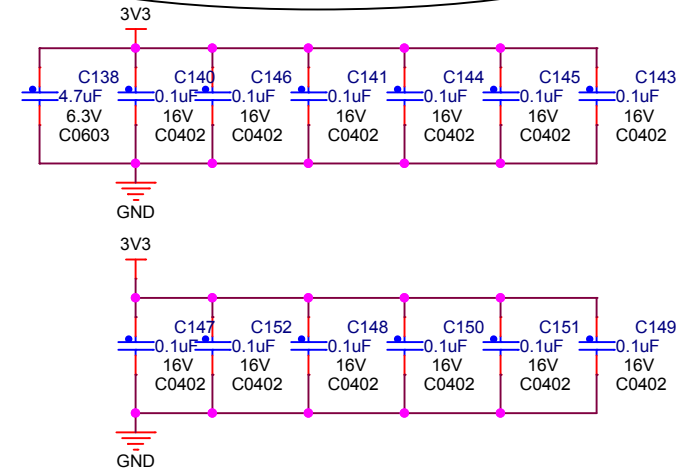
Title
野火_GD32VF103VBT6核心板_原理图

Size A4 Document Number 电源供电 Rev V1.0

Date: Monday, November 04, 2019 Sheet 3 of 7



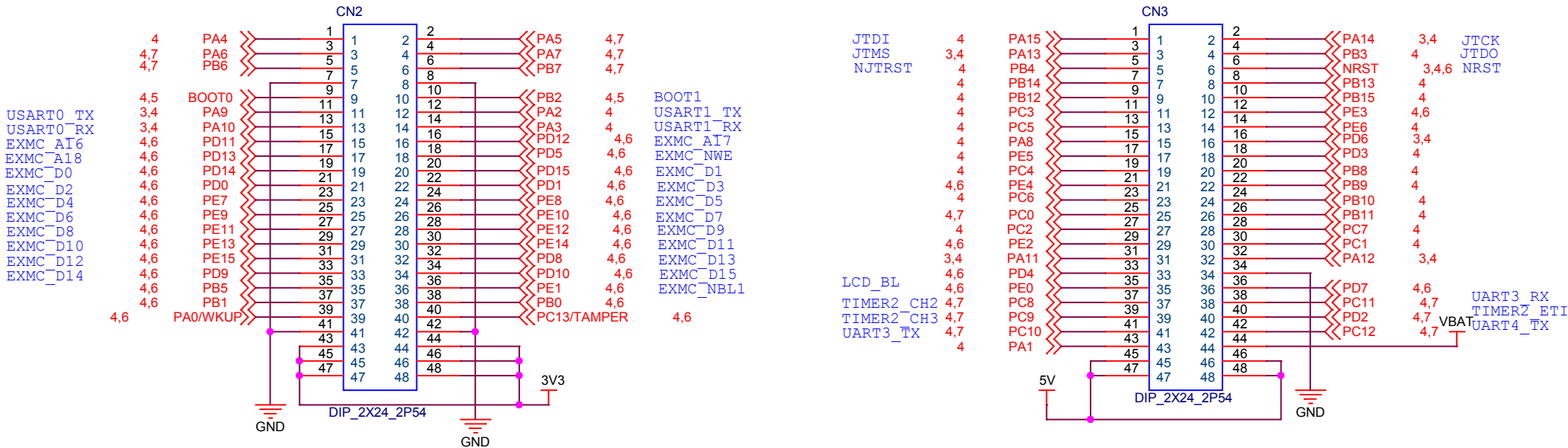
所有退耦电容应尽量靠近MCU电源引脚放置



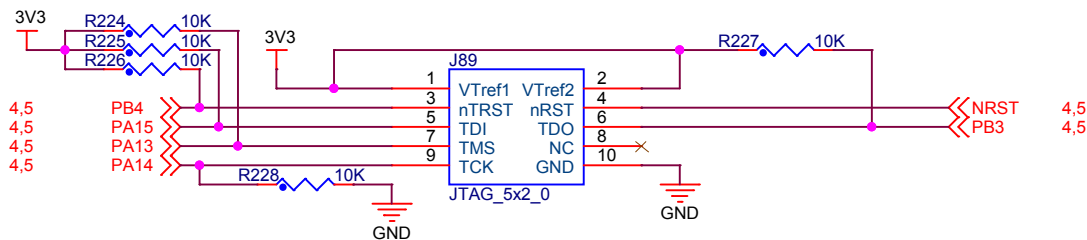
东莞野火电子有限公司 https://fire-stm32.taobao.com		
Title 野火_GD32VF103VBT6核心板_原理图		
Size A4	Document Number B2B_Conector	Rev V1.0
Date: Monday, October 21, 2019	Sheet 4 of 7	

IO

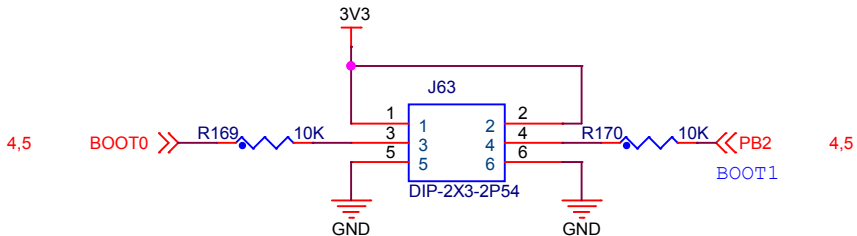
GPIO leads 80, except that the crystal oscillator occupies 4 IOs and all others are extracted.



JTAG



Set Boot Mode

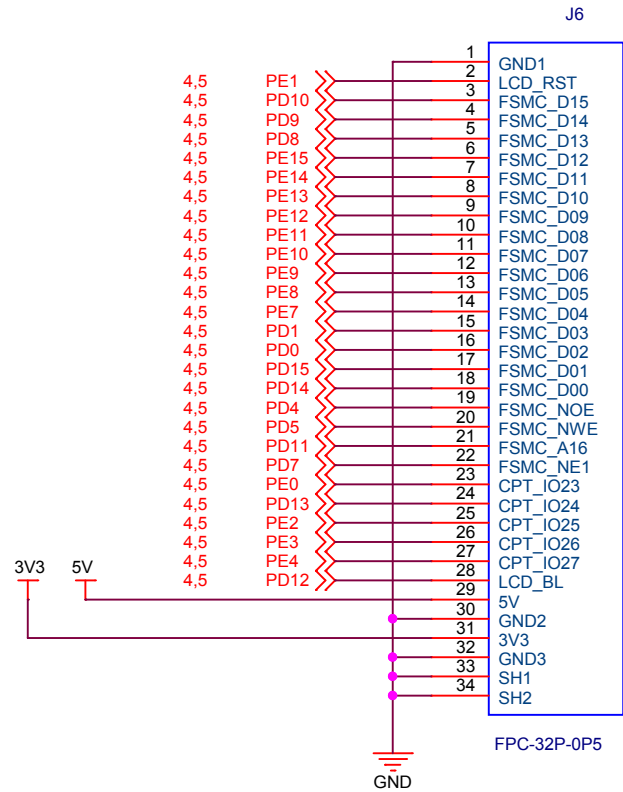


F103 BOOT setting

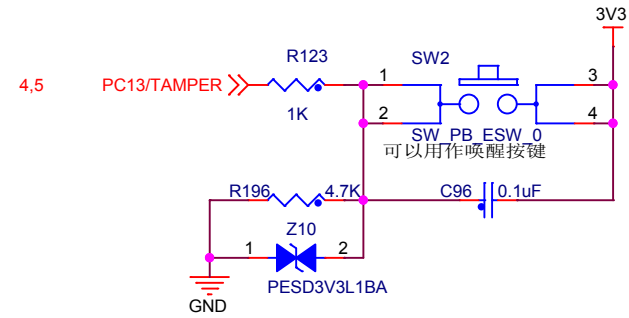
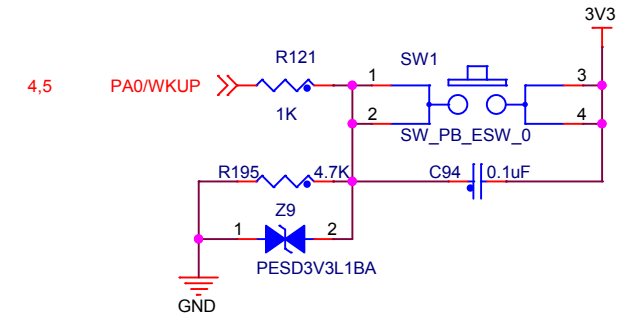
BOOT0	BOOT1	启动方式
0	X	用户闪存
1	0	系统存储器/ISP
1	1	内嵌SRAM

默认配置是用户闪存（即内部Flash）

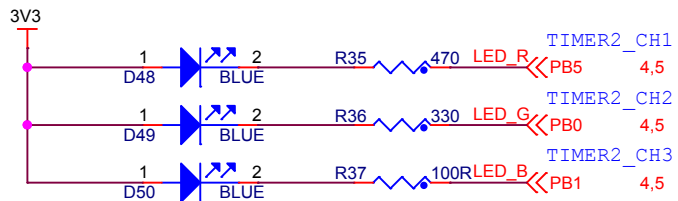
LCD-FSMC-8080 mode



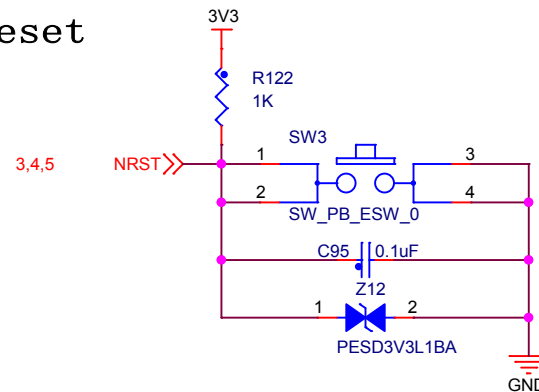
Button



LED



Reset



东莞野火电子有限公司
<https://fire-stm32.taobao.com>

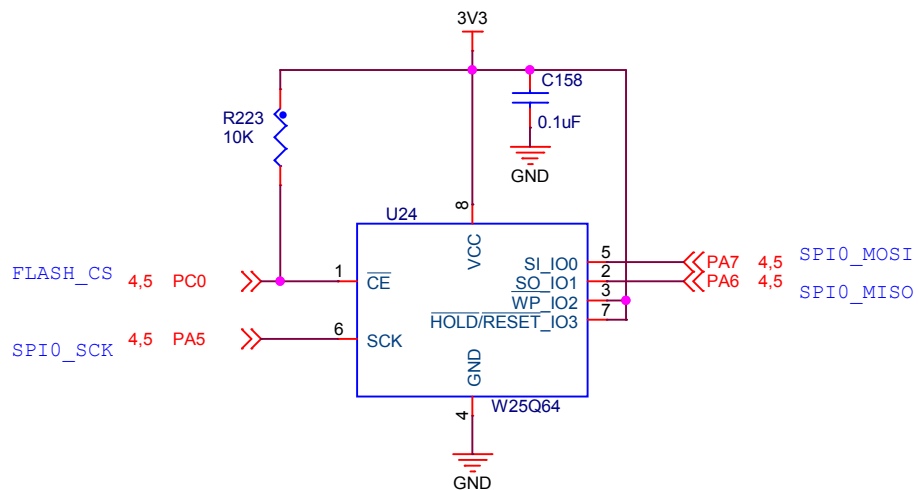
Title: 野火_gd32vf103vt6核心板_原理图

Size A4	Document Number LCD/CSI	Rev V2.0
---------	-------------------------	----------

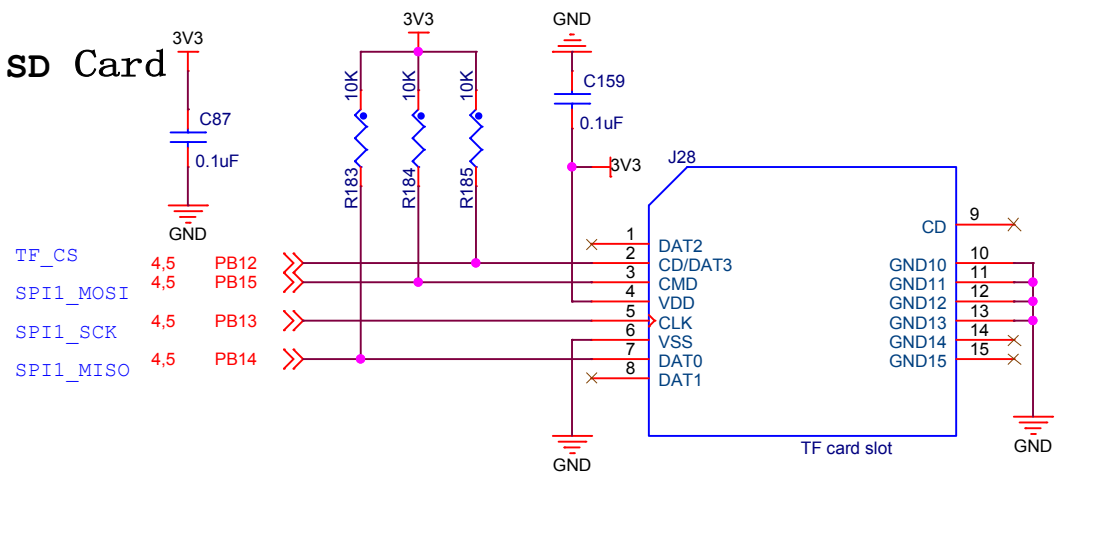
Date: Tuesday, September 17, 2019 Sheet 6 of 7

SPI_FLASH

容量: 8M字节

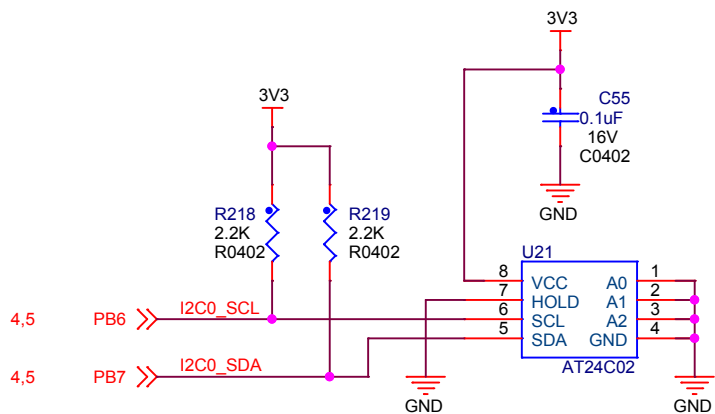


SD Card



EEPROM

容量: 256字节



东莞野火电子有限公司
https://fire-stm32.taobao.com

Title
野火_GD32VF103VBT6核心板_原理图

Size A4	Document Number Camera/SD/SPDIF	Rev V2.0
------------	------------------------------------	-------------

Date: Tuesday, September 17, 2019 Sheet 7 of 7