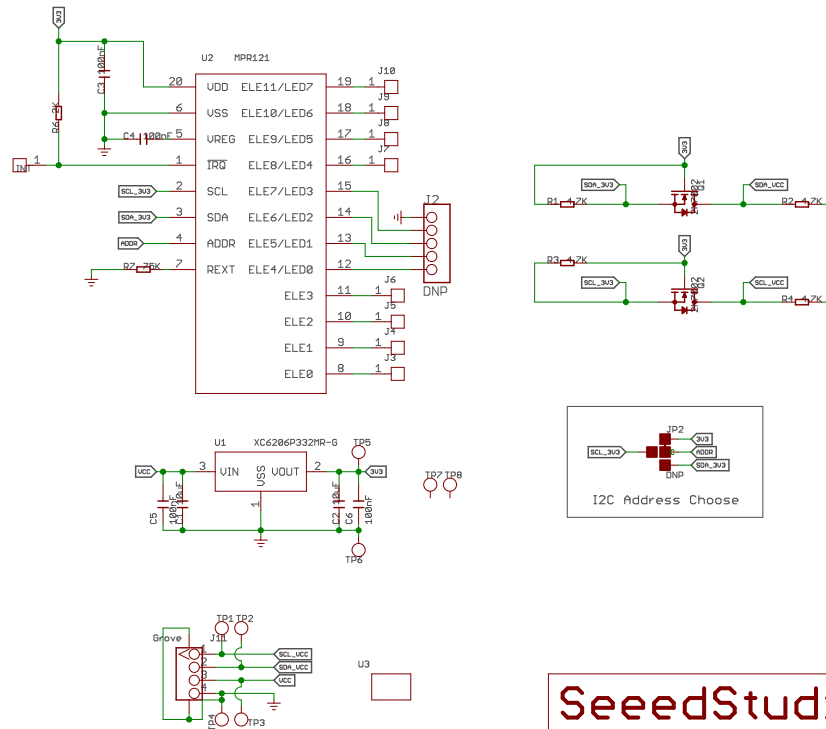


REV	Description	DATE	BY
v1.0	Initial Version	2018.06.21	weifeng

**SeeedStudio**

TITLE: Grove - 12 Key Capacitive I2C Touch Sensor (MPR121)

Design:	Check:
Date:	Vision:
Sheet: 1/1	



**SeeedStudio**

TITLE: Grove - 12 Key Capacitive I2C Touch Sensor (MPR121)

Design:	Check:
Date:	Vision:
Sheet: 1/1	