

## Screw plug

10.xx15 PAzzzz

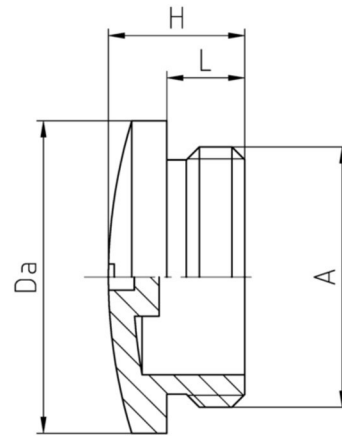
### Configuration

Screw plug	Polyamide PA6 GF30
Connecting thread	metric, as per EN 60423

### Properties


Temperature range	-30°C +100°C
Protection grade	IP54 higher protection grade possible if assembled with sealing ring

- for secure sealing of unused threaded or clearance hole




### Features

 RAL 9005


A	L	H	Da		Part No.
	mm	mm	mm	Piece	
M12x1,5	6	10	15	100	10.1215PA/SW
M16x1,5	6	10,5	20	100	10.1615PA/SW
M20x1,5	6	10,5	24	100	10.2015PA/SW
M25x1,5	8	13	30	100	10.2515PA/SW
M32x1,5	8	13,5	37	100	10.3215PA/SW
M40x1,5	8	14	46	50	10.4015PA/SW
M50x1,5	10	16,5	56	50	10.5015PA/SW
M63x1,5	12	17	70	50	10.6315PA/SW

 RAL 7035

A	L	H	Da		Part No.
	mm	mm	mm	Piece	
M12x1,5	6	10	15	100	10.1215PA7035
M16x1,5	6	10,5	20	100	10.1615PA7035
M20x1,5	6	10,5	24	100	10.2015PA7035
M25x1,5	8	13	30	100	10.2515PA7035
M32x1,5	8	13,5	37	100	10.3215PA7035
M40x1,5	8	14	46	50	10.4015PA7035
M50x1,5	10	16,5	56	50	10.5015PA7035
M63x1,5	12	17	70	50	10.6315PA7035



RAL 7001

A	L	H	Da		Part No.
	mm	mm	mm	Piece	
M12x1,5	6	10	15	100	10.1215 PA
M16x1,5	6	10,5	20	100	10.1615 PA
M20x1,5	6	10,5	24	100	10.2015 PA
M25x1,5	8	13	30	100	10.2515 PA
M32x1,5	8	13,5	37	100	10.3215 PA
M40x1,5	8	14	46	50	10.4015 PA
M50x1,5	10	16,5	56	50	10.5015 PA
M63x1,5	12	17	70	50	10.6315 PA