



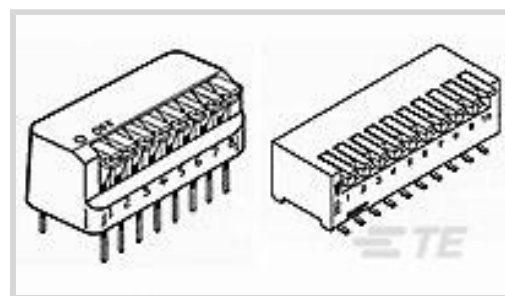
Alcoswitch | Alcoswitch DIP, Alcoswitch DIP 7000 & 7100

TE Internal #: 1-5435802-5

Alcoswitch DIP, DIP & SIP Switches, Switch, Gold, Black Housing, Polyester GF, Sealed, 4 Switch, -55 – 105 °C, DIP

[View on TE.com >](#)

Relays, Contactors & Switches > Switches > DIP & SIP Switches



DIP & SIP Switch Product Type: **Switch**

DIP & SIP Switch Contact Mating Area Plating Material: **Gold**

DIP & SIP Switch Housing Color: **Black**

DIP & SIP Switch Housing Material: **Polyester GF**

Auto-Insertable: **No**

Features

Product Type Features

DIP & SIP Switch Product Type	Switch
Sealed DIP & SIP Switch	Yes
DIP & SIP Switch Type	DIP
Actuator Style	Piano (Side Actuated)

Configuration Features

Number of Positions	4
Number of Switches	4
Configuration (Pole-Throw)	Single Pole - Single Throw

Electrical Characteristics

DIP & SIP Switch Voltage Rating	50 VDC
---------------------------------	--------

Body Features

Seal Type	Strippable
-----------	------------

Contact Features

Solder Tail Contact Plating	Tin
	30 μin
DIP & SIP Switch Contact Mating Area Plating Material	Gold
Auto-Insertable	No
DIP & SIP Switch Contact Current Rating	1.5 A



Contact Base Material	Copper Alloy
-----------------------	--------------

Termination Features

Termination Post Length	3.56 mm[.14 in]
-------------------------	-----------------

Mechanical Attachment

Mounting Angle	Vertical
----------------	----------

DIP & SIP Switch Mounting Type	Through Hole
--------------------------------	--------------

Housing Features

Low Profile	Yes
-------------	-----

DIP & SIP Switch Housing Color	Black
--------------------------------	-------

DIP & SIP Switch Housing Material	Polyester GF
-----------------------------------	--------------

DIP & SIP Switch Centerline	2.54 mm[.1 in]
-----------------------------	----------------

Dimensions

Height	7.36 mm[.29 in]
--------	-----------------

Length	12.19 mm[.48 in]
--------	------------------

Usage Conditions

Operating Temperature Range	-55 – 105 °C
-----------------------------	--------------

Industry Standards

UL Flammability Rating	UL 94V-0
------------------------	----------

Packaging Features

Packaging Method	Box & Tube, Tube
------------------	------------------

Packaging Quantity	25
--------------------	----

Product Compliance

[For compliance documentation, visit the product page on TE.com>](#)

EU RoHS Directive 2011/65/EU	Compliant
------------------------------	-----------

EU ELV Directive 2000/53/EC	Compliant
-----------------------------	-----------

China RoHS 2 Directive MIIT Order No 32, 2016	No Restricted Materials Above Threshold
---	---

EU REACH Regulation (EC) No. 1907/2006	Current ECHA Candidate List: JAN 2022 (223) Candidate List Declared Against: JAN 2022 (223) Does not contain REACH SVHC
--	---

Halogen Content	Not Low Halogen - contains Br or Cl > 900 ppm.
-----------------	--

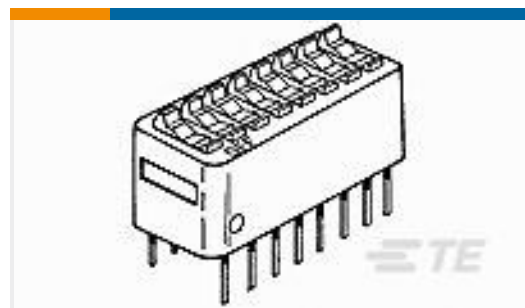
Solder Process Capability

Wave solder capable to 265°C

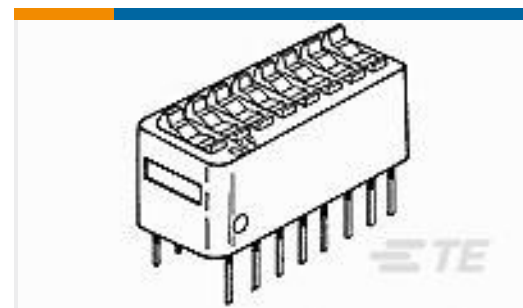
Product Compliance Disclaimer

This information is provided based on reasonable inquiry of our suppliers and represents our current actual knowledge based on the information they provided. This information is subject to change. The part numbers that TE has identified as EU RoHS compliant have a maximum concentration of 0.1% by weight in homogenous materials for lead, hexavalent chromium, mercury, PBB, PBDE, DBP, BBP, DEHP, DIBP, and 0.01% for cadmium, or qualify for an exemption to these limits as defined in the Annexes of Directive 2011/65/EU (RoHS2). Finished electrical and electronic equipment products will be CE marked as required by Directive 2011/65/EU. Components may not be CE marked. Additionally, the part numbers that TE has identified as EU ELV compliant have a maximum concentration of 0.1% by weight in homogenous materials for lead, hexavalent chromium, and mercury, and 0.01% for cadmium, or qualify for an exemption to these limits as defined in the Annexes of Directive 2000/53/EC (ELV). Regarding the REACH Regulation, the information TE provides on SVHC in articles for this part number is based on the latest European Chemicals Agency (ECHA) 'Guidance on requirements for substances in articles' posted at this URL: <https://echa.europa.eu/guidance-documents/guidance-on-reach>

Compatible Parts



TE Part # 5435640-5
DIP SW 8POSN AU



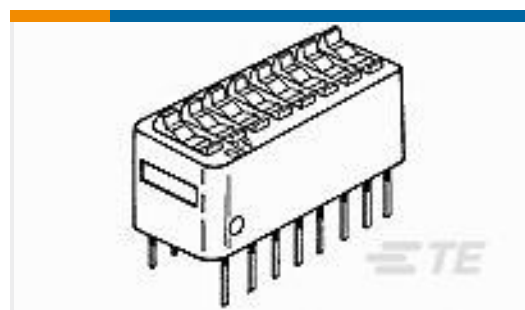
TE Part # 4-5435640-1
DIP SW 10 POSN SEALED



TE Part # 1977104-4
STV08=8 POS SIP SWITCH

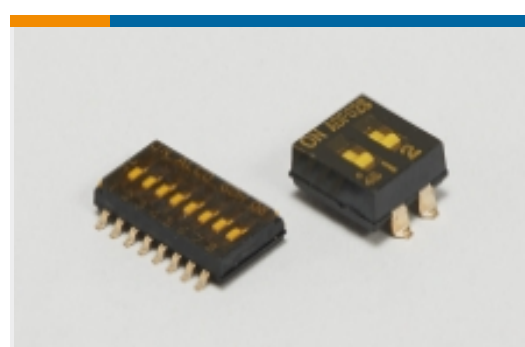


TE Part # 5161390-1
01P.DIP SWITCH ASSY



TE Part # 3-5435640-9
DIP SW 8 POSN SEALED

Also in the Series | Alcoswitch DIP



DIP & SIP Switches(291)

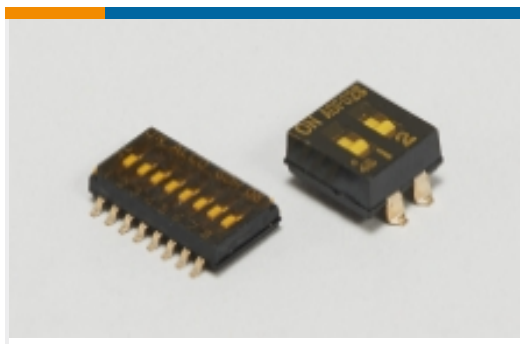


Rotary Switches(25)



Switch Seals & Accessories(1)

Also in the Series | Alcoswitch DIP 7000 & 7100

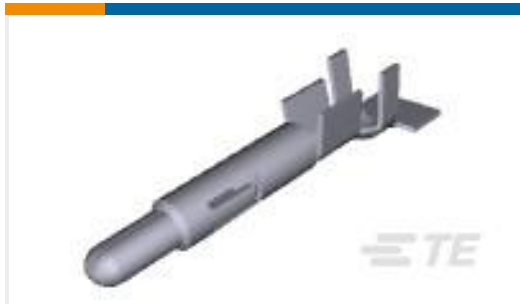


DIP & SIP Switches(56)



Switch Seals & Accessories(1)

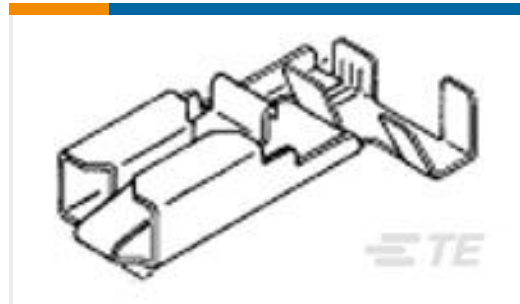
Customers Also Bought



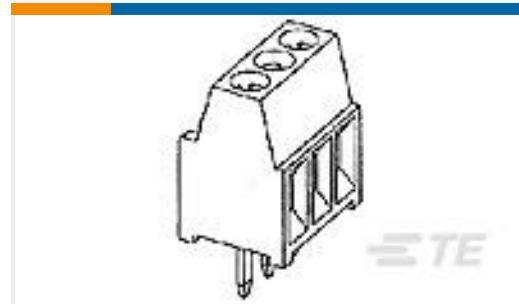
TE Part #926887-3
UNIV.M-N-L.PIN



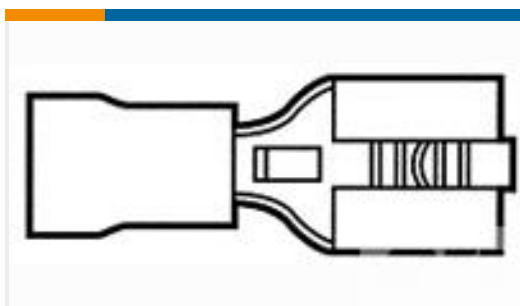
TE Part #2-130094-1
PIDG 16-14 RDE TAPE



TE Part #926790-4
PL 250 FLAG REC 1-2.5 MM2 PTP
CUZN30 F53



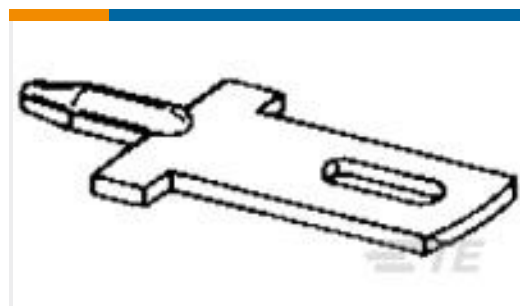
TE Part #1546551-3
3P,STRAIGHT,SIDE ENTRY,3.5MM



TE Part #5-160313-2
250 PIDG FASTON REC



TE Part #60290-2
250 FASTON FLAG REC 18-14 AWG
TPBR



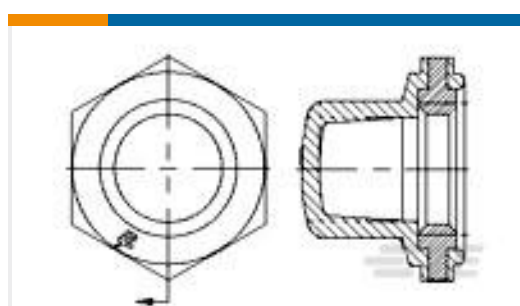
TE Part #735427-2
110 FASTON TAB TPBR



TE Part #1986300-4
Plug, 5.0mm, Gn, Sws & WE same
side, 4p



TE Part #1986484-3
Plug, 5.08mm, Gn, Ss & WE same side,
3p



TE Part #1825604-1
BPA1440004=Boot,Pushbutton

Documents

Product Drawings

[RIGHT ANGLE DIP SW 4 P SEALED](#)

English

CAD Files

[3D PDF](#)

English

Customer View Model

[ENG_CVM_1-5435802-5_B.3d_igs.zip](#)



English

Customer View Model

[ENG_CVM_1-5435802-5_B.3d_stp.zip](#)

English

Customer View Model

[ENG_CVM_1-5435802-5_B.2d_dxf.zip](#)

English

By downloading the CAD file I accept and agree to the [Terms and Conditions](#) of use.

Product Specifications

[Application Specification](#)

English

Product Environmental Compliance

[TE Material Declaration](#)

English

Instruction Sheets

[Instruction Sheet \(U.S.\)](#)

English