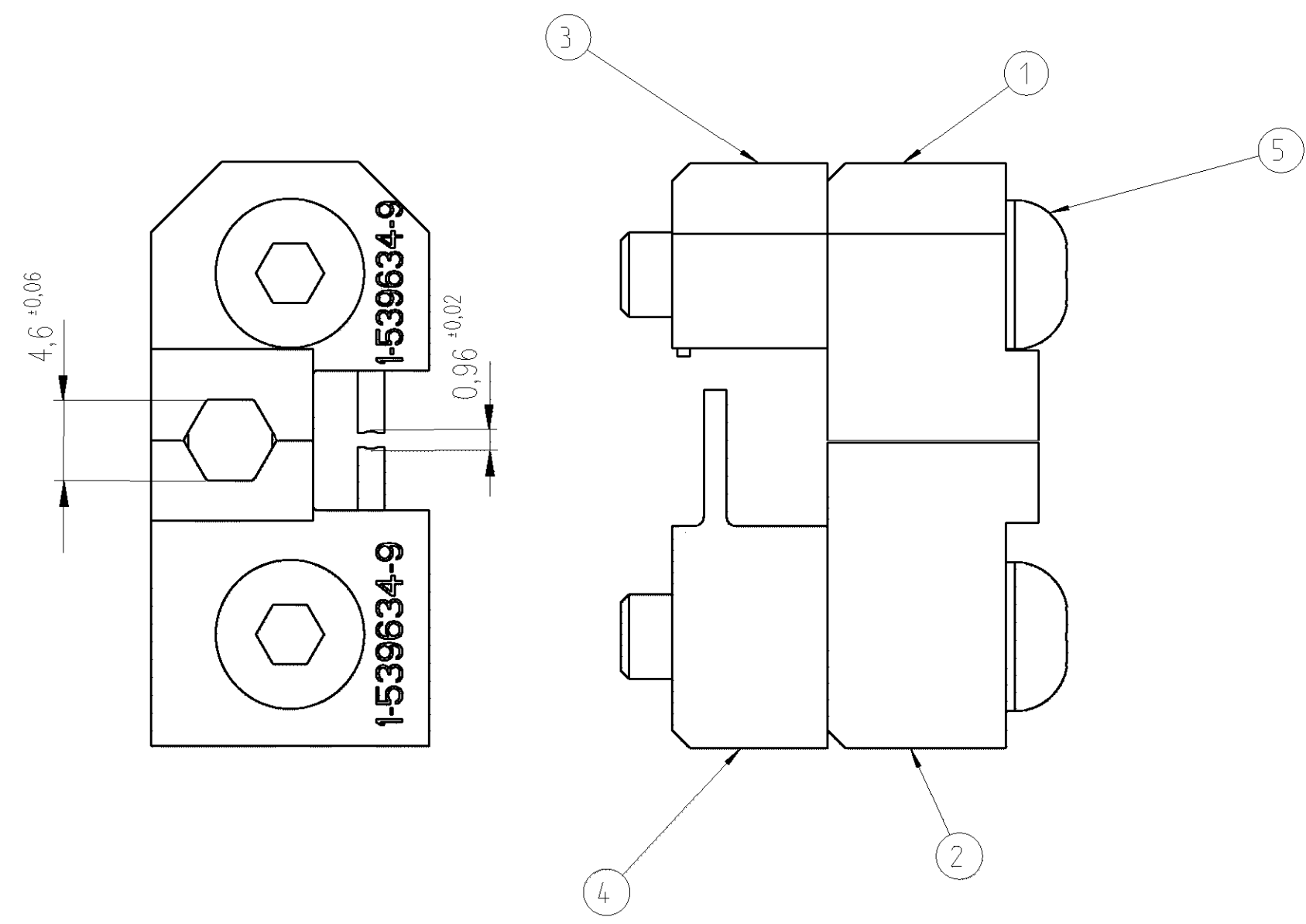


THIS DRAWING IS UNPUBLISHED. RELEASED FOR PUBLICATION 2005
 © COPYRIGHT 2005 BY TYCO ELECTRONICS CORPORATION. ALL RIGHTS RESERVED.

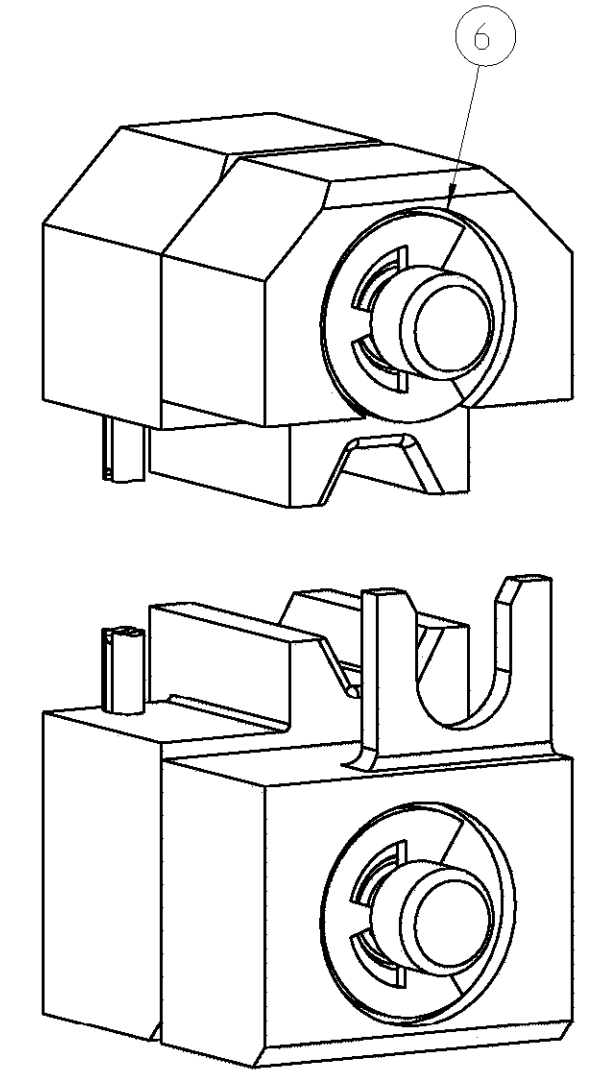
LOC	DIST	REVISIONS			
P	LTR	DESCRIPTION	DATE	DWN	APVD
A1	-				

Die Set-Assembly for processing of Size 8 Coaxial RF stright contacts



For processing of following
 Size 8 Coaxial RF 50-Ohm
 and non Impedance Matched
 Pin and Socket Contact Kits

PN 1740412-1
PN 1740413-1
PN 1394858-1
PN 1394879-1
PN 1418669-1
PN 1418670-1



Use this die set in combination with SAHT hand tool PN 69710-1
 Instruction Sheet 408-2095

2	A4	0-519067-7	-	RING RETAINING	6
2	A4	2-539784-5	-	SCREW	5
1	A3	5-539783-4	A	SPACER DOWN	4
1	A4	5-539783-5	A	SPACER UPPER	3
1	A3	5-539783-2	A	INSERT LOWER	2
1	A3	5-539783-3	A	INSERT UPPER	1
-1	DWG SIZE	PART NO	REV	DESCRIPTION	ITEM NO

<small>THIS DRAWING IS A CONTROLLED DOCUMENT FOR TYCO ELECTRONICS CORPORATION IT IS SUBJECT TO CHANGE AND THE CONTROLLING ENGINEERING ORGANIZATION SHOULD BE CONTACTED FOR THE LATEST REVISION.</small>		DWN Ch.Witt 19APR2007 CHK - APVD - PRODUCT SPEC - APPLICATION SPEC - WEIGHT -		tyco Electronics tyco Electronics AMP GmbH D - 64625 Bensheim	
DIMENSIONS: mm 		TOLERANCES UNLESS OTHERWISE SPECIFIED: 0 PLC ± 1 PLC ± 2 PLC ± 3 PLC ± 4 PLC ± ANGLES ±1° MATERIAL - FINISH -		NAME DIE SET ASSEMBLY FOR SIZE 8 COAX Matrizeneinsatz fuer Koax Groesse 8	
		SIZE A3	CAGE CODE 00779	DRAWING NO C=1-539634-9	RESTRICTED TO -
CUSTOMER DRAWING			SCALE 1:1	SHEET 1 OF 1	REV A