



SlimSeal | SlimSeal Miniature Connectors

TE Internal #: 1-2834236-2

Ballast Connectors, Connector, Wire-to-Board, 3 Position, 2.5 mm Centerline, Sealable, Printed Circuit Board, SlimSeal Miniature Connectors

[View on TE.com >](#)

Connectors > Lighting Connectors > Ballast Connectors > SLIMSEAL MINIATURE HEADERS



Lighting Product Type: **Connector**

Connector System: **Wire-to-Board**

Number of Positions: **3**

Centerline (Pitch): **2.5 mm**

Sealable: **Yes**

[All SLIMSEAL MINIATURE HEADERS \(8\)](#)

Features

Product Type Features

Lighting Product Type	Connector
Connector System	Wire-to-Board
Sealable	Yes
Connector & Contact Terminates To	Printed Circuit Board

Configuration Features

Number of Rows	1
Number of Positions	3

Electrical Characteristics

Operating Voltage (Max)	250 VAC
-------------------------	---------

Contact Features

Contact Current Rating (Max)	5 A
------------------------------	-----

Termination Features



Tool-less Wire Termination	No
----------------------------	----

Mechanical Attachment

Connector Mounting Type	Board Mount
-------------------------	-------------

Housing Features

Housing Color	Natural
Centerline (Pitch)	2.5 mm

Dimensions

Wire Size	18 – 22 AWG
-----------	-------------

Usage Conditions

UV Exposure Rated	No
Operating Temperature Range	-40 – 105 °C

Identification Marking

Circuit Identification Feature	With
--------------------------------	------

Industry Standards

UL Flammability Rating	UL 94V-0
Agency/Standard	UL
Agency/Standard Number	UL 1977

Product Compliance

[For compliance documentation, visit the product page on TE.com>](#)

EU RoHS Directive 2011/65/EU	Compliant
EU ELV Directive 2000/53/EC	Compliant
China RoHS 2 Directive MIIT Order No 32, 2016	No Restricted Materials Above Threshold
EU REACH Regulation (EC) No. 1907/2006	Current ECHA Candidate List: JAN 2022 (223) Candidate List Declared Against: JAN 2022 (223) Does not contain REACH SVHC
Halogen Content	Low Halogen - Br, Cl, F, I < 900 ppm per homogenous material. Also BFR/CFR/PVC Free
Solder Process Capability	Reflow solder capable to 245°C

Product Compliance Disclaimer

This information is provided based on reasonable inquiry of our suppliers and represents our current actual knowledge based on the information they provided. This information is subject to change. The part numbers that TE has identified as EU RoHS compliant have a maximum concentration of 0.1% by weight in homogenous materials for lead, hexavalent chromium, mercury, PBB, PBDE, DBP, BBP, DEHP, DIBP, and 0.01% for cadmium, or qualify for an exemption to these limits as defined in the Annexes of Directive 2011/65/EU (RoHS2). Finished electrical and electronic equipment products will be CE marked as required by Directive 2011/65/EU. Components may not be CE marked. Additionally, the part numbers that TE has identified as EU ELV compliant have a maximum concentration of 0.1% by weight in homogenous materials for lead, hexavalent chromium, and mercury, and 0.01% for cadmium, or qualify for an exemption to these limits as defined in the Annexes of Directive 2000/53/EC (ELV). Regarding the REACH Regulation, the information TE provides on SVHC in articles for this part number is based on the latest European Chemicals Agency (ECHA) 'Guidance on requirements for substances in articles' posted at this URL: <https://echa.europa.eu/guidance-documents/guidance-on-reach>

Compatible Parts



TE Part # 1-2834182-5
2P, PLUG CABLE ASSY-200MM, WHITE, TIN



TE Part # 1-2834074-2
2P PLUG, MINIATURE WATERPROOF CONN. WHITE




TE Part # 3-2834182-5
2P, PLUG CABLE ASSY-200MM, WHITE, TIN



TE Part # 5-2834182-5
2P, PLUG CABLE ASSY-200MM, WHITE, TIN

Also in the Series | SlimSeal Miniature Connectors



Ballast Connectors(40)

Customers Also Bought



TE Part #5520470-3
MJ,R/A,6P/6C, TRAY PACK



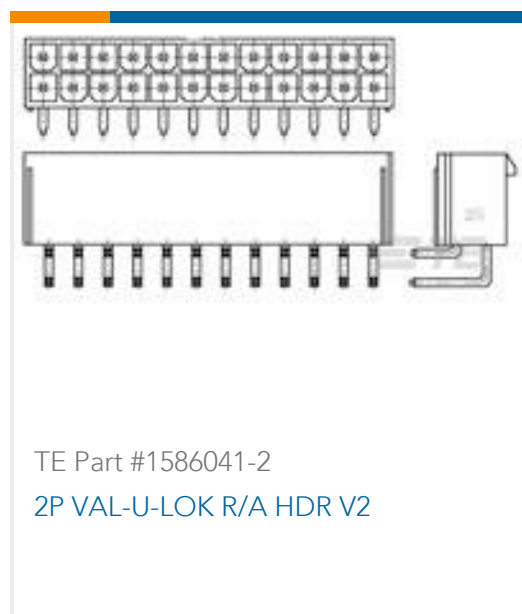
TE Part #1-640457-0
10P MTA100 HDR ASSY SQ R/A F/L



TE Part #5499786-9
A/L UNIV HDR 40P RA LG LAT



TE Part #640389-8
08P MTA156 HDR ASSY SQ R/A F/L



TE Part #1586041-2
2P VAL-U-LOK R/A HDR V2



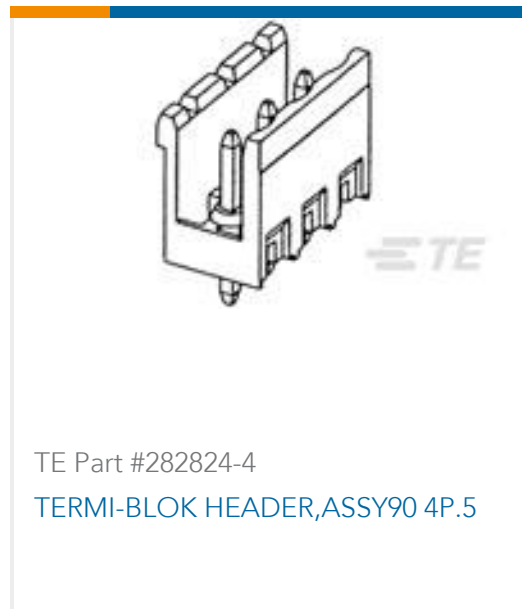
TE Part #1-2834074-2
2P PLUG, MINIATURE WATERPROOF
CONN.WHITE



TE Part #776261-1
14POS,PIN DIA 1.3,HDR ASSY,
180DEG,SLDR



TE Part #382811-8
SHUNT, ECON, PHBR 5AU, BLACK



TE Part #282824-4
TERMI-BLOK HEADER,ASSY90 4P.5



TE Part #5-102523-3
05 MODII HDR SRRA SHRD .100CL

Documents

Product Drawings

[2P REC, IP67 R/A SMT CONN,NATURE](#)

English

CAD Files

[3D PDF](#)

3D

Customer View Model

[ENG_CVM_CVM_1-2834236-2_A.2d_dxf.zip](#)

English

Customer View Model

[ENG_CVM_CVM_1-2834236-2_A.3d_igs.zip](#)

English

Customer View Model

[ENG_CVM_CVM_1-2834236-2_A.3d_stp.zip](#)

English

By downloading the CAD file I accept and agree to the [Terms and Conditions](#) of use.

Datasheets & Catalog Pages

[SlimSeal Connector Miniature Series](#)

English

[SlimSeal Connector Miniature Series](#)

Product Specifications

[Application Specification](#)

English