

1-1734098-0 ✓ ACTIVE

CHAMP | CHAMP .050 Series I

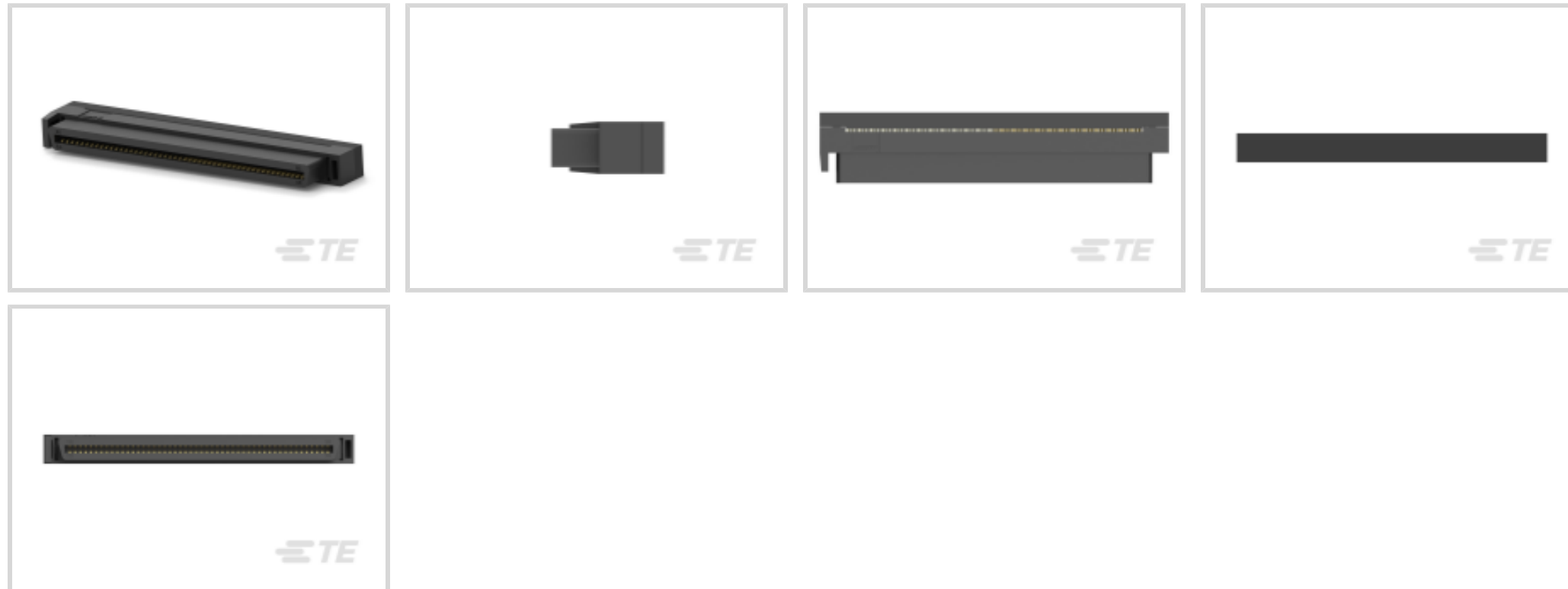
TE Internal #: 1-1734098-0

IDC D-Sub Connectors, Receptacle, Wire-to-Board, 100 Position,
1.27 mm [.05 in] Centerline, Connector Assembly, Flat Ribbon
Cable, CHAMP .050 Series I

[View on TE.com >](#)



Connectors > D-Shaped Connectors > D-Sub Connectors > IDC D-Sub Connectors



Connector & Housing Type: **Receptacle**

Shielded: **No**

Connector System: **Wire-to-Board**

Number of Positions: **100**

Centerline (Pitch): **1.27 mm [.05 in]**

Features

Product Type Features

Connector & Housing Type	Receptacle
Connector System	Wire-to-Board
Connector Product Type	Connector Assembly
Sealable	No
Connector & Contact Terminates To	Wire & Cable

Configuration Features

Number of Positions	100
Compatible With Wire & Cable Type	Flat Ribbon Cable

Contact Features

Contact Mating Area Plating Material	Gold Flash over Palladium Nickel
Contact Underplating Material	Nickel
Contact Base Material	Phosphor Bronze
Contact Current Rating (Max)	1.5 A

Termination Features



Termination Method to Wire & Cable

Insulation Displacement (IDC)

Mechanical Attachment

Connector Mounting Type

Cable Mount (Free-Hanging)

Housing Features

Housing Color

Black

Housing Material

Polyester

Centerline (Pitch)

1.27 mm [.05 in]

Dimensions

Wire Size

.05 mm²

Usage Conditions

Operating Temperature Range

-35 – 85 °C [-31 – 185 °F]

Operation/Application

Shielded

No

Circuit Application

Signal

Packaging Features

Packaging Method

Tube

Product Compliance

[For compliance documentation, visit the product page on TE.com>](#)

EU RoHS Directive 2011/65/EU

Compliant

EU ELV Directive 2000/53/EC

Compliant

China RoHS 2 Directive MIIT Order No 32, 2016

No Restricted Materials Above Threshold

EU REACH Regulation (EC) No. 1907/2006

Current ECHA Candidate List: JUNE 2022 (224)
Candidate List Declared Against: JAN 2022 (223)
SVHC > Threshold:
Not Yet Reviewed

Halogen Content

Not Low Halogen - contains Br or Cl > 900 ppm.

Solder Process Capability

Wave solder capable to 265°C

Product Compliance Disclaimer

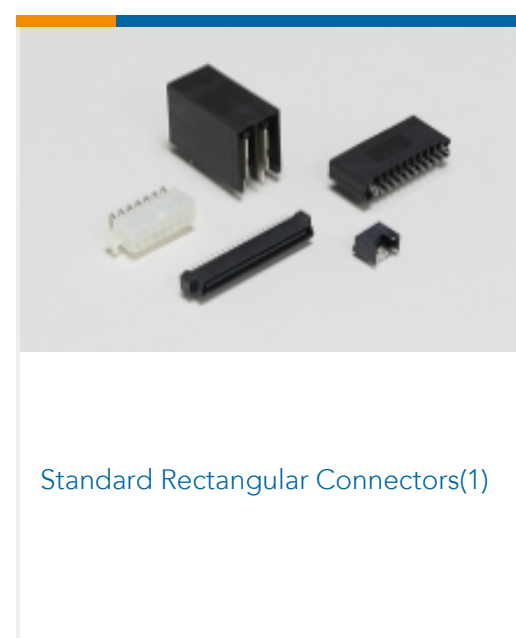
This information is provided based on reasonable inquiry of our suppliers and represents our current actual knowledge based on the information they provided. This information is subject to change. The part numbers that TE has identified as

EU RoHS compliant have a maximum concentration of 0.1% by weight in homogenous materials for lead, hexavalent chromium, mercury, PBB, PBDE, DBP, BBP, DEHP, DIBP, and 0.01% for cadmium, or qualify for an exemption to these limits as defined in the Annexes of Directive 2011/65/EU (RoHS2). Finished electrical and electronic equipment products will be CE marked as required by Directive 2011/65/EU. Components may not be CE marked. Additionally, the part numbers that TE has identified as EU ELV compliant have a maximum concentration of 0.1% by weight in homogenous materials for lead, hexavalent chromium, and mercury, and 0.01% for cadmium, or qualify for an exemption to these limits as defined in the Annexes of Directive 2000/53/EC (ELV). Regarding the REACH Regulation, the information TE provides on SVHC in articles for this part number is based on the latest European Chemicals Agency (ECHA) 'Guidance on requirements for substances in articles' posted at this URL: <https://echa.europa.eu/guidance-documents/guidance-on-reach>

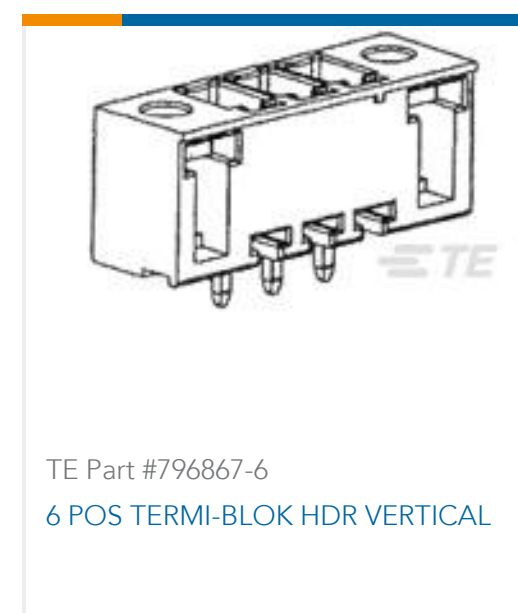
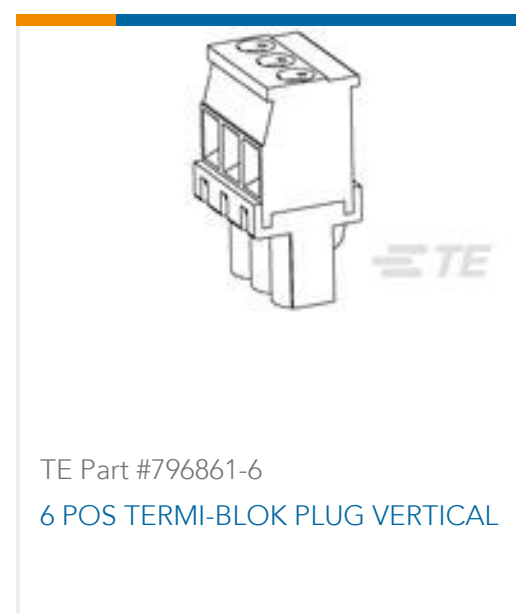
Compatible Parts

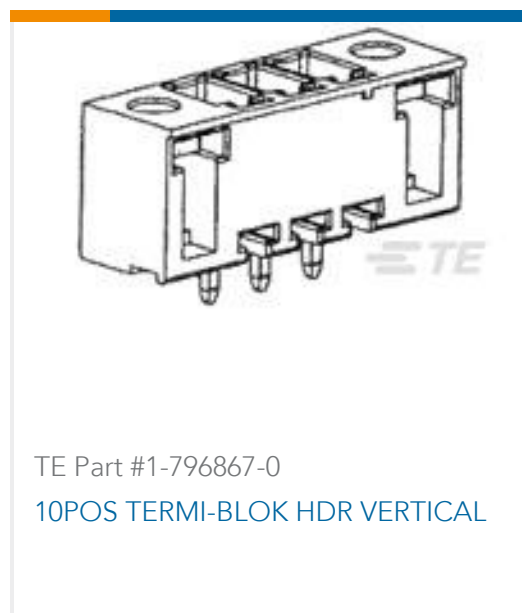


Also in the Series | CHAMP .050 Series I



Customers Also Bought





Documents

Product Drawings

[Champ050 100p A/P RCPT 25CL PB](#)

English

CAD Files

Customer View Model

[ENG_CVM_CVM_1-1734098-0_B.2d_dxf.zip](#)

English

3D PDF

3D

Customer View Model

[ENG_CVM_CVM_1-1734098-0_B.3d_igs.zip](#)

English

Customer View Model

[ENG_CVM_CVM_1-1734098-0_B.3d_stp.zip](#)

English

By downloading the CAD file I accept and agree to the [Terms and Conditions](#) of use.

Product Specifications

[Application Specification](#)

English