



Application Tooling > Insertion & Extraction Tools



Insertion & Extraction Tool Type: **Contact Extraction**

Insertion & Extraction Tool Application: **Contact-to-Wire**

Features

Product Type Features

Insertion & Extraction Tool Type	Contact Extraction
Insertion & Extraction Tool Application	Contact-to-Wire

Product Compliance

[For compliance documentation, visit the product page on TE.com>](#)

EU RoHS Directive 2011/65/EU	Compliant
EU ELV Directive 2000/53/EC	Out of Scope
China RoHS 2 Directive MIIT Order No 32, 2016	No Restricted Materials Above Threshold
EU REACH Regulation (EC) No. 1907/2006	Current ECHA Candidate List: JUNE 2022 (224) Candidate List Declared Against: JAN 2022 (223) SVHC > Threshold: Not Yet Reviewed
Halogen Content	Low Halogen - Br, Cl, F, I < 900 ppm per homogenous material. Also BFR/CFR/PVC Free
Solder Process Capability	Not applicable for solder process capability

Product Compliance Disclaimer

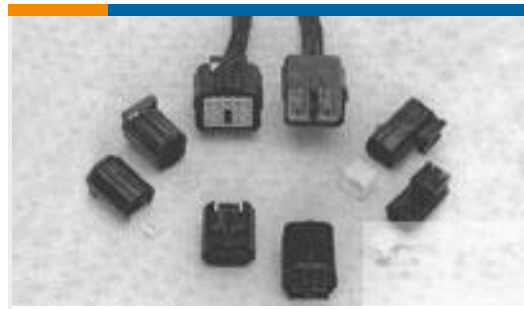
This information is provided based on reasonable inquiry of our suppliers and represents our current actual knowledge based on the information they provided. This information is subject to change. The part numbers that TE has identified as EU RoHS compliant have a maximum concentration of 0.1% by weight in homogenous materials for lead, hexavalent chromium, mercury, PBB, PBDE, DBP, BBP, DEHP, DIBP, and 0.01% for cadmium, or qualify for an exemption to these limits as defined in the Annexes of Directive 2011/65/EU (RoHS2). Finished electrical and electronic equipment products will be CE marked as required by Directive 2011/65/EU. Components may not be CE marked. Additionally, the part numbers that TE has identified as EU ELV compliant have a maximum concentration of 0.1% by weight in homogenous

materials for lead, hexavalent chromium, and mercury, and 0.01% for cadmium, or qualify for an exemption to these limits as defined in the Annexes of Directive 2000/53/EC (ELV). Regarding the REACH Regulation, the information TE provides on SVHC in articles for this part number is based on the latest European Chemicals Agency (ECHA) 'Guidance on requirements for substances in articles' posted at this URL: <https://echa.europa.eu/guidance-documents/guidance-on-reach>

Compatible Parts



TE Part # CAT-EC7491-T273
ECONOSEAL, RECEPTACLE AND TAB



TE Part # 344273-1
3 WAY REC. HSG. SIL. SEALECONO



TE Part # 345808-1
.070" RECEPTACLE ECON.3



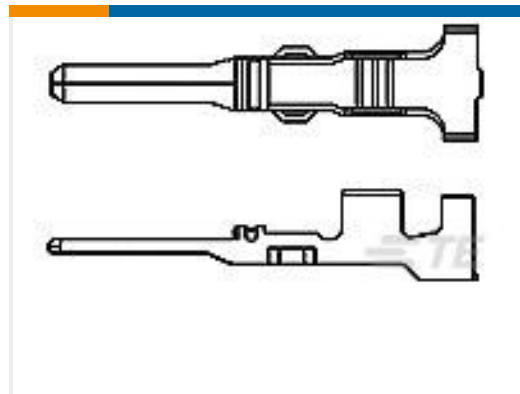
TE Part # 345149-1
ECON3 LC TAB CONTACT LP



TE Part # 345151-1
ECON3 LC REC CONTACT LP



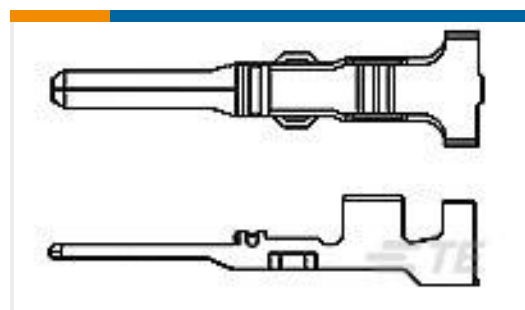
TE Part # 345950-1
ECONOSEAL 3 UNSEALED REC.



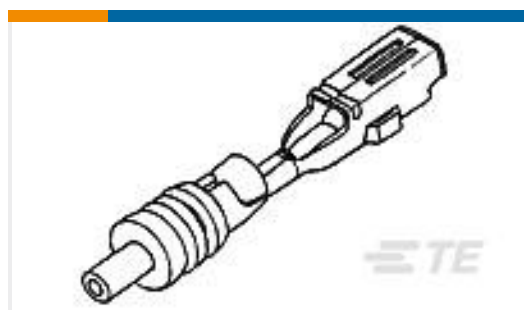
TE Part # 345951-1
ECONOSEAL 3 SEALED TAB



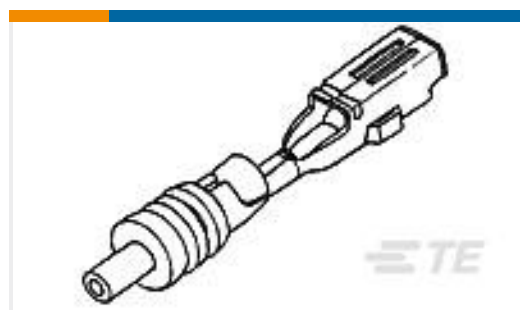
TE Part # 345952-1
ECONOSEAL 3UNSEALED TAB



TE Part # 345148-1
ECON3 LC TAB CONTACT



TE Part # 345150-1
ECON3 LC REC CONTACT LP

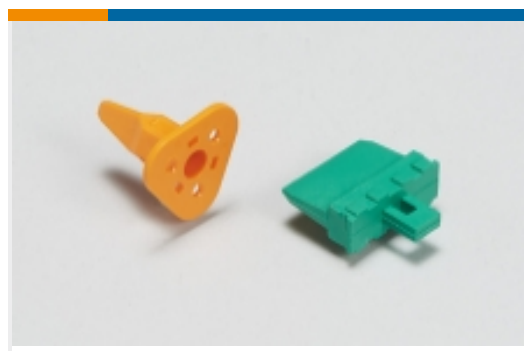


TE Part # 345949-1
ECONOSEAL 3 SEALED RECEPT

Also in the Series | Econoseal



Automotive Connector Caps & Covers
(1)



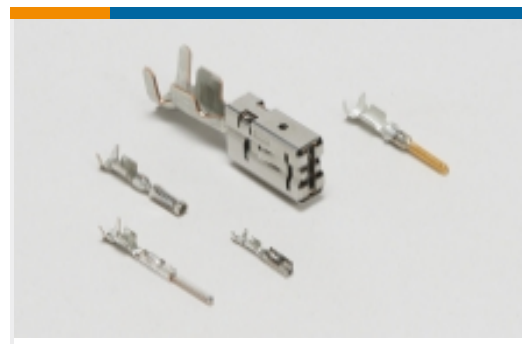
Automotive Connector Locks &
Position Assurance(25)



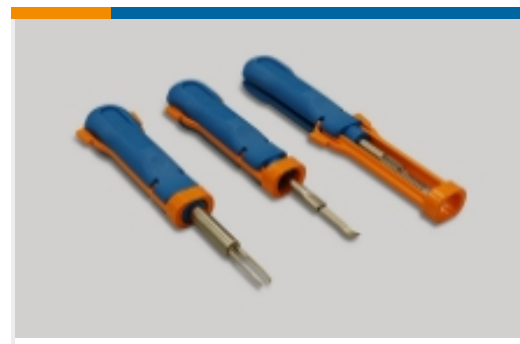
Automotive Housings(62)



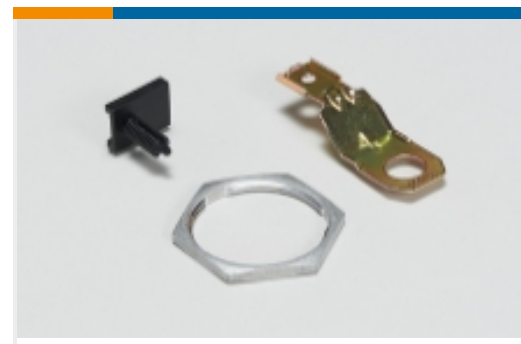
Automotive Seals & Cavity Plugs(17)



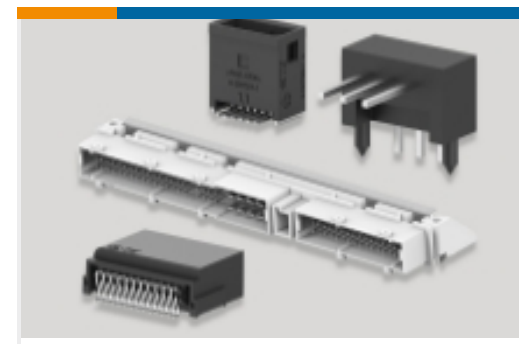
Automotive Terminals(47)



Insertion & Extraction Tools(7)



Other Automotive Connector Accessories(5)



PCB Headers & Receptacles(4)



Primary Wire(1)

Customers Also Bought



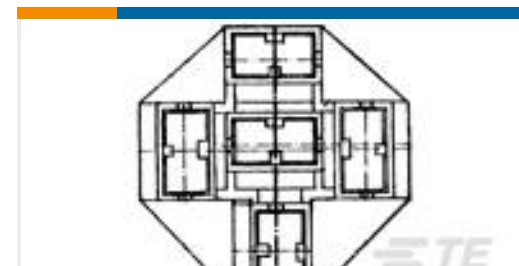
TE Part #1-1579007-2
EXTRACTION TOOL



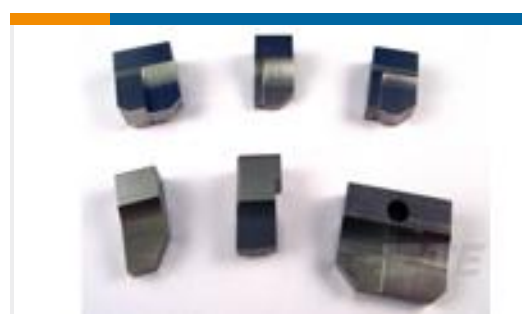
TE Part #2-2213764-1
AV19 SPL 5A FIX RING LED WHITE 12V



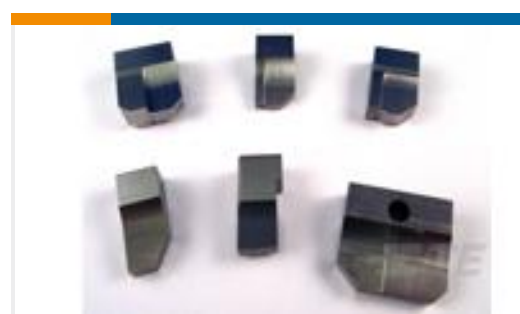
TE Part #1-1564542-1
2POS,AMP MCP6.3/4.8K,REC HSG,A



TE Part #926526-1
PL MKI 250 REC HSG 5P NYLON BLACK



TE Part #1-1333203-5
ANVIL, COMBINATION .070



TE Part #1333205-4
ANVIL, COMBINATION (.090)



TE Part #1633989-5
Crimper, Insulation ,Special



TE Part #2280687-1
EXTRACTION TOOL



CRIMPER REPRESENTATION ONLY
TE Part #5-1633965-4
INSULATION CRIMPER



TE Part #2337724-1
COVER,GB DC

Documents



Product Drawings

EXTRACTION TOOL

English

Datasheets & Catalog Pages

CRIMPING TERMINALS

English

CRIMPING WHERE FORM MEETS FUNCTION

English