



AMP

TE Internal #: 1-1579004-2

Portable Crimp Tools, Commercial Crimp Tooling, Operator Releasable & Adjustable, Fixed In Tool, TE Product Specification (114-), Manual

[View on TE.com >](#)

Application Tooling > Portable Crimp Tools



Tool Grade: **Commercial Crimp Tooling**

Ratchet Configuration: **Operator Releasable & Adjustable**

Die Sets Type: **Fixed In Tool**

Specification Type: **TE Product Specification (114-)**

TE Certification: **Upon Request for Fee**

Features

Other

| | |
|-----------------------------|----------------------------------|
| Crimp Form-Wire Barrel Type | Open Barrel - F Crimp |
| Tool Grade | Commercial Crimp Tooling |
| Ratchet Configuration | Operator Releasable & Adjustable |
| Die Sets Type | Fixed In Tool |
| Specification Type | TE Product Specification (114-) |
| TE Certification | Upon Request for Fee |
| Power Technology Type | Manual |
| Tooling Type | Straight Action Hand Tool |

Product Compliance

[For compliance documentation, visit the product page on TE.com>](#)

| | |
|---|--|
| EU RoHS Directive 2011/65/EU | Compliant |
| EU ELV Directive 2000/53/EC | Out of Scope |
| China RoHS 2 Directive MIIT Order No 32, 2016 | No Restricted Materials Above Threshold |
| EU REACH Regulation (EC) No. 1907/2006 | Current ECHA Candidate List: JUNE 2022 (224) Candidate List Declared Against: JUL 2019 (201) SVHC > Threshold: Not Yet Reviewed |



Halogen Content

Low Halogen - Br, Cl, F, I < 900 ppm per homogenous material. Also BFR/CFR/PVC Free

Solder Process Capability

Not applicable for solder process capability

Product Compliance Disclaimer

This information is provided based on reasonable inquiry of our suppliers and represents our current actual knowledge based on the information they provided. This information is subject to change. The part numbers that TE has identified as EU RoHS compliant have a maximum concentration of 0.1% by weight in homogenous materials for lead, hexavalent chromium, mercury, PBB, PBDE, DBP, BBP, DEHP, DIBP, and 0.01% for cadmium, or qualify for an exemption to these limits as defined in the Annexes of Directive 2011/65/EU (RoHS2). Finished electrical and electronic equipment products will be CE marked as required by Directive 2011/65/EU. Components may not be CE marked. Additionally, the part numbers that TE has identified as EU ELV compliant have a maximum concentration of 0.1% by weight in homogenous materials for lead, hexavalent chromium, and mercury, and 0.01% for cadmium, or qualify for an exemption to these limits as defined in the Annexes of Directive 2000/53/EC (ELV). Regarding the REACH Regulation, the information TE provides on SVHC in articles for this part number is based on the latest European Chemicals Agency (ECHA) 'Guidance on requirements for substances in articles' posted at this URL: <https://echa.europa.eu/guidance-documents/guidance-on-reach>


Compatible Parts



TE Part # 1-1987559-1
PHOTOVOLTAIK CONNECTOR,
4sqmm



TE Part # 1-1987559-2
PHOTOVOLTAIK CONNECTOR,
4sqmm



TE Part # 1987281-3
HVT SOCKET CONTACT 10 AWG,
ASSY



TE Part # 5-1105300-1
HVT-C-Sti.Ag,4,0 qmm



TE Part # 5-1105301-1
HVT-C-Bu.Ag,4,0 qmm



TE Part # 1-1987558-1
PHOTOVOLTAIK CONNECTOR,
4sqmm



TE Part # 1-1987558-2
PHOTOVOLTAIK CONNECTOR,
4sqmm



TE Part # 1-1987558-3
PHOTOVOLTAIK CONNECTOR,
4sqmm

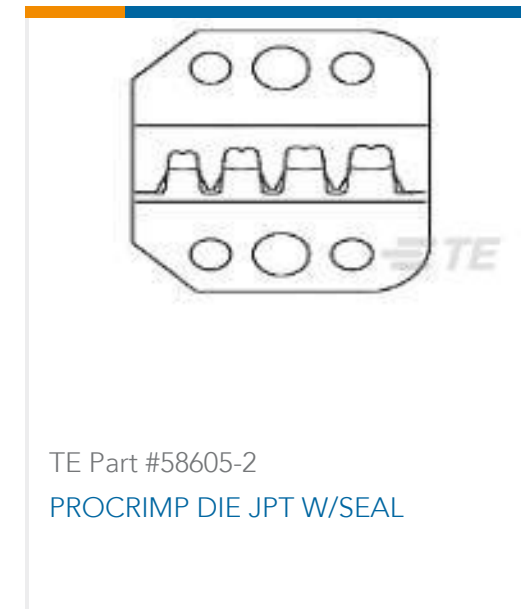


TE Part # 7-1105300-2
HVT-C-Sti.Ag.AWG.10



TE Part # 7-1105301-2
HVT-C-Bu.Ag.AWG.10

Customers Also Bought



Documents

Product Drawings

[CSV10 CRIMPING HANDTOOL SOLARLOK 4-6](#)

English

Datasheets & Catalog Pages

[CONNECTIVITY_SYSTEMS_FOR_PV_INSTALLERS_3-1773458-6](#)

English

[SOLARLOK_CONNECTIVITY_SYSTEMS_FOR_PV_MANUFACTURERS_3-1773458-7](#)

English

Bottoming Dies

English

[AMERICAS_VERSION_SOLARLOK_INSTALLATION_MANUAL_2-1773458-2](#)

English

[6-1773461-4_SOLARLOK_1-RAIL_JUN_BOX_CH](#)

Product Specifications

[INSTRUCTION SHEET](#)

English



Instruction Sheets

Instruction Sheet (non U.S.)

English