

2SWK131AL101 ✓ ACTIVE

Alcoswitch

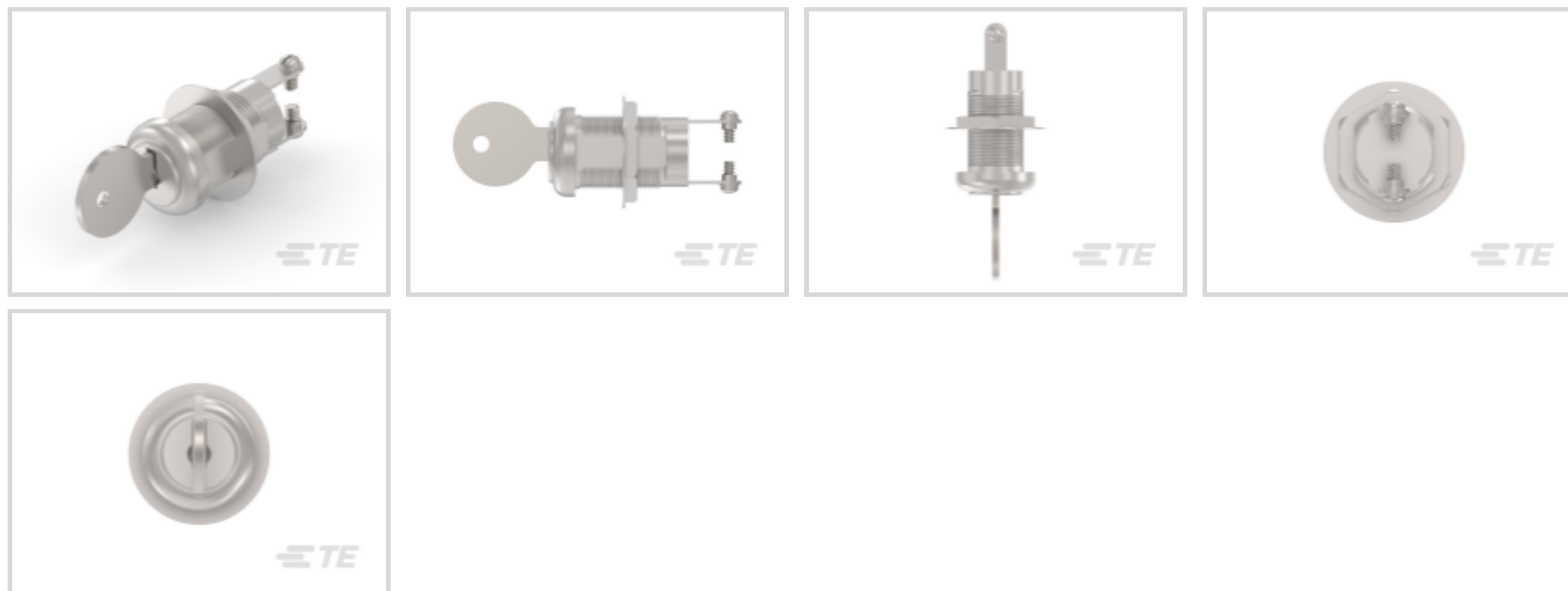
TE Internal #: 1-1437597-7

Keylock Switches, Single Pole - Single Throw Configuration (Pole-Throw), Zinc Alloy, Remove Key Position 1, Hand Soldering Type

[View on TE.com >](#)



Relays, Contactors & Switches > Switches > Keylock Switches



Configuration (Pole-Throw): **Single Pole - Single Throw**

Cylinder Material: **Zinc Alloy**

Remove Key: **Position 1**

Soldering Type: **Hand**

Operating Function: **Position 1 Off, Position 2 On**

Features

Product Type Features

Product Type	Switch
Switch Type	Key Lock
Actuator Style	Key
Illuminated	No
Frame Material	Stainless Steel

Configuration Features

Configuration (Pole-Throw)	Single Pole - Single Throw
Operating Function	Position 1 Off, Position 2 On
Panel Cutout Size	19.3 x 16.3 mm [.76 x .64 in]
Number of Keylock Switch Positions	2

Electrical Characteristics

Contact Resistance	50 mΩ
Keylock Switch Voltage Rating	110 VAC, 120 VAC

Body Features



Actuator Travel	90°
Key Changes	25 Standard
Actuator Material	Brass

Contact Features

Contact Timing	Non-Shorting
Terminals/Fixed Contact Type	Screw/Solder
Keylock Switch Contact Current Rating	1 A
Contact Finish	Silver

Mechanical Attachment

Lock Body	Zinc Alloy
Keylock Switch Mounting Type	Panel

Housing Features

Cylinder Material	Zinc Alloy
Remove Key	Position 1

Usage Conditions

Oil-Tight	No
-----------	----

Other

Life Expectancy	10000 Cycles
Comment	All keylocks are supplied with 2 brass keys on a ring.
Soldering Type	Hand

Product Compliance

[For compliance documentation, visit the product page on TE.com>](#)

EU RoHS Directive 2011/65/EU	Compliant with Exemptions
EU ELV Directive 2000/53/EC	Compliant with Exemptions
China RoHS 2 Directive MIIT Order No 32, 2016	Restricted Materials Above Threshold
EU REACH Regulation (EC) No. 1907/2006	Current ECHA Candidate List: JAN 2022 (223) Candidate List Declared Against: JAN 2022 (223) SVHC > Threshold: Pb (.33% in Component Part) Article Safe Usage Statements: Do not eat, drink or smoke when using this product. Wash thoroughly after handling. Recycle if possible and dispose of the article by following all applicable governmental regulations relevant to your geographic location.



Halogen Content	Low Halogen - Br, Cl, F, I < 900 ppm per homogenous material. Also BFR/CFR/PVC Free
Solder Process Capability	Not applicable for solder process capability

Product Compliance Disclaimer

This information is provided based on reasonable inquiry of our suppliers and represents our current actual knowledge based on the information they provided. This information is subject to change. The part numbers that TE has identified as EU RoHS compliant have a maximum concentration of 0.1% by weight in homogenous materials for lead, hexavalent chromium, mercury, PBB, PBDE, DBP, BBP, DEHP, DIBP, and 0.01% for cadmium, or qualify for an exemption to these limits as defined in the Annexes of Directive 2011/65/EU (RoHS2). Finished electrical and electronic equipment products will be CE marked as required by Directive 2011/65/EU. Components may not be CE marked. Additionally, the part numbers that TE has identified as EU ELV compliant have a maximum concentration of 0.1% by weight in homogenous materials for lead, hexavalent chromium, and mercury, and 0.01% for cadmium, or qualify for an exemption to these limits as defined in the Annexes of Directive 2000/53/EC (ELV). Regarding the REACH Regulation, the information TE provides on SVHC in articles for this part number is based on the latest European Chemicals Agency (ECHA) 'Guidance on requirements for substances in articles' posted at this URL: <https://echa.europa.eu/guidance-documents/guidance-on-reach>

Compatible Parts



TE Part # 2-1437597-3
2SWK132AL101=NON UL KEYLOCKS S



TE Part # 2-1437597-7
2SWK231AL101=non ul keylock S

Customers Also Bought




TE Part #205556-2
AMPLIMITE,ASY,PLUG,STD,109,1



TE Part #1-102387-0
50 MODIV HSG COMP DR .100 POL



TE Part #102241-3
05 MODIV HSG COMP SR .100 POL



TE Part #5747100-1
CABLE CLAMP KIT,SZ 4



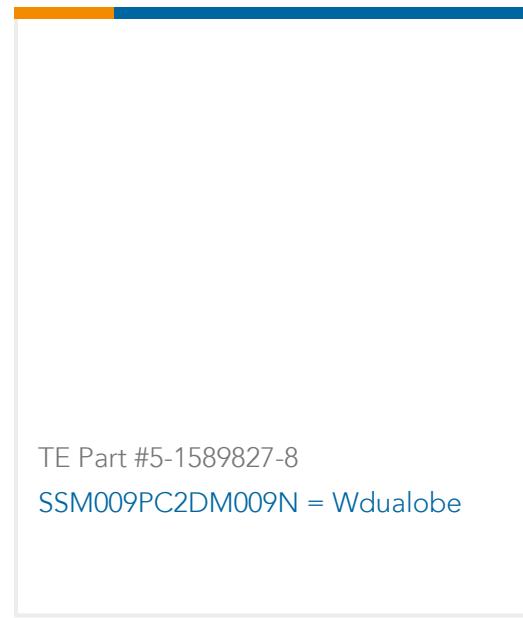
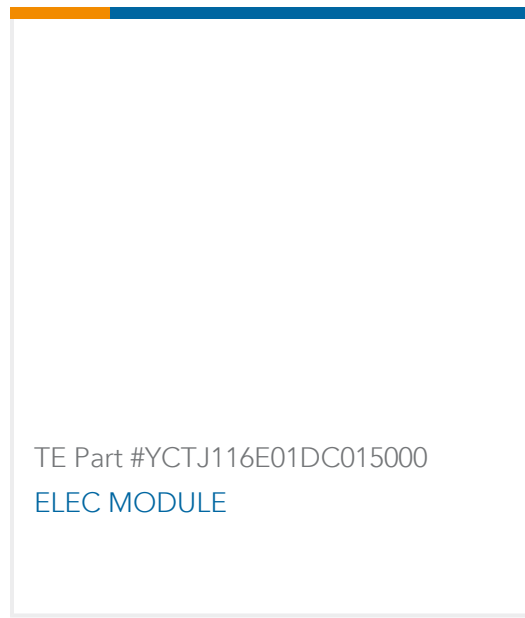
TE Part #YDTS26G11-35SC0000
DTS26G11-35SC



TE Part #1055690-1
2367 5006 54 OSMT PCB PLUG

TE Part #6104-209-1702
INS SOC ASM

TE Part #2828573-1
MEZALOK , SOCKET, COVER, 12MM



Documents

CAD Files

3D PDF

3D

Customer View Model

[ENG_CVM_CVM_1-1437597-7_99.2d_dxf.zip](#)

English

Customer View Model

[ENG_CVM_CVM_1-1437597-7_99.3d_igs.zip](#)

English

Customer View Model

[ENG_CVM_CVM_1-1437597-7_99.3d_stp.zip](#)

English

By downloading the CAD file I accept and agree to the [Terms and Conditions](#) of use.

Datasheets & Catalog Pages

[Alcoswitch Products](#)

English