



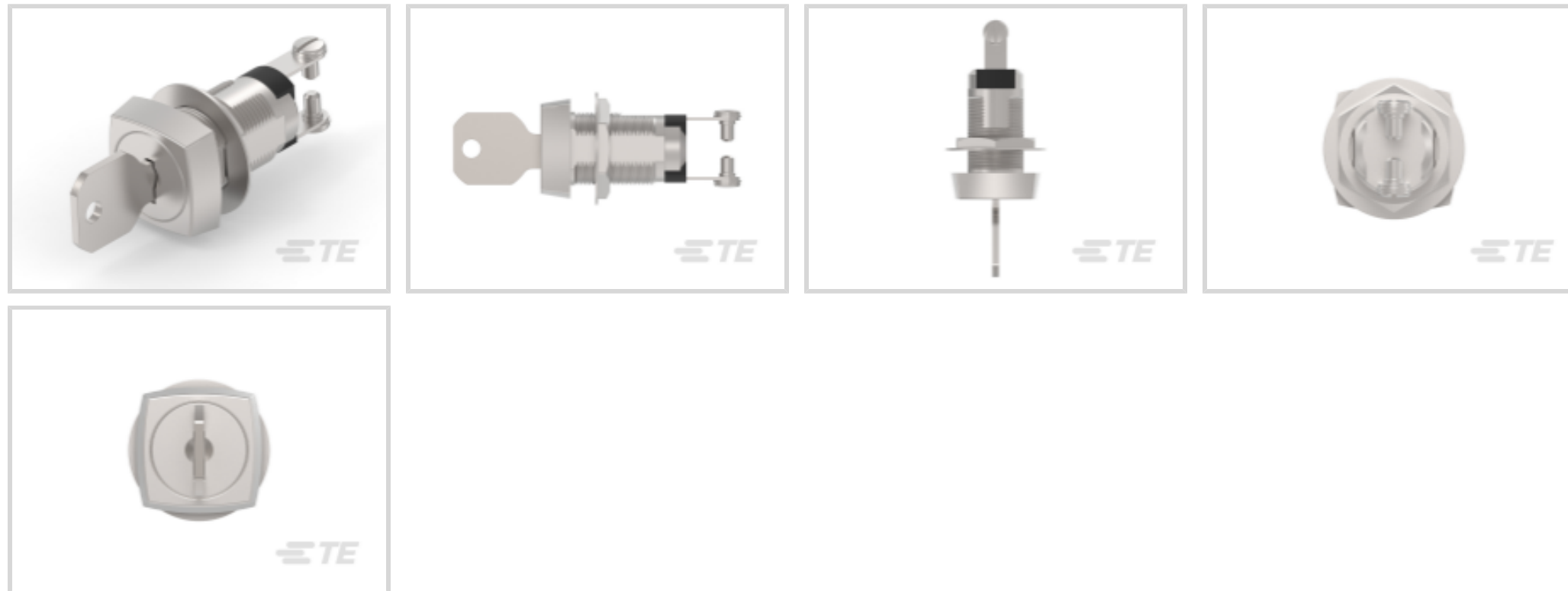
Alcoswitch

TE Internal #: 1-1437597-1

Keylock Switches, Single Pole - Single Throw Configuration (Pole-Throw), Zinc Alloy, Remove Key Position 1, Hand Soldering Type

[View on TE.com >](#)

Relays, Contactors & Switches > Switches > Keylock Switches



Configuration (Pole-Throw): **Single Pole - Single Throw**

Cylinder Material: **Zinc Alloy**

Remove Key: **Position 1**

Soldering Type: **Hand**

Operating Function: **Position 1 Off, Position 2 (On)**

**Features**

**Product Type Features**

Product Type	Switch
Switch Type	Key Lock
Actuator Style	Key
Illuminated	No
Frame Material	Brushed Chrome

**Configuration Features**

Configuration (Pole-Throw)	Single Pole - Single Throw
Operating Function	Position 1 Off, Position 2 (On)
Panel Cutout Size	19.3 x 16.3 mm [.76 x .64 in]
Number of Keylock Switch Positions	2

**Electrical Characteristics**

Contact Resistance	50 mΩ
Keylock Switch Voltage Rating	110 VAC, 120 VAC

**Body Features**



Actuator Travel	90°
-----------------	-----

Key Changes	10 Standard
-------------	-------------

### Contact Features

Contact Timing	Non-Shorting
----------------	--------------

Terminals/Fixed Contact Type	Screw Type
------------------------------	------------

Keylock Switch Contact Current Rating	1 A
---------------------------------------	-----

Contact Finish	Silver
----------------	--------

### Mechanical Attachment

Lock Body	Zinc Alloy
-----------	------------

Keylock Switch Mounting Type	Panel
------------------------------	-------

### Housing Features

Cylinder Material	Zinc Alloy
-------------------	------------

Remove Key	Position 1
------------	------------

### Usage Conditions

Oil-Tight	No
-----------	----

Operating Temperature (Max)	85 °C
-----------------------------	-------

### Other

Life Expectancy	10000 Cycles
-----------------	--------------

Comment	Supplied with 2 brass keys.
---------	-----------------------------

Soldering Type	Hand
----------------	------

### Product Compliance

[For compliance documentation, visit the product page on TE.com>](#)

EU RoHS Directive 2011/65/EU	Compliant with Exemptions
------------------------------	---------------------------

EU ELV Directive 2000/53/EC	Compliant with Exemptions
-----------------------------	---------------------------

China RoHS 2 Directive MIIT Order No 32, 2016	Restricted Materials Above Threshold
---	--------------------------------------

EU REACH Regulation (EC) No. 1907/2006	Current ECHA Candidate List: JAN 2022 (223) Candidate List Declared Against: JAN 2021 (211) SVHC > Threshold: Pb (1.5% in component)
--	---

#### Article Safe Usage Statements:

Do not eat, drink or smoke when using this product. Wash thoroughly after handling. Recycle if possible and dispose of the article by following all applicable governmental regulations relevant to your geographic location.

Halogen Content	Low Halogen - Br, Cl, F, I < 900 ppm per
-----------------	--

homogenous material. Also BFR/CFR/PVC Free

Solder Process Capability

Not applicable for solder process capability

Product Compliance Disclaimer

This information is provided based on reasonable inquiry of our suppliers and represents our current actual knowledge based on the information they provided. This information is subject to change. The part numbers that TE has identified as EU RoHS compliant have a maximum concentration of 0.1% by weight in homogenous materials for lead, hexavalent chromium, mercury, PBB, PBDE, DBP, BBP, DEHP, DIBP, and 0.01% for cadmium, or qualify for an exemption to these limits as defined in the Annexes of Directive 2011/65/EU (RoHS2). Finished electrical and electronic equipment products will be CE marked as required by Directive 2011/65/EU. Components may not be CE marked. Additionally, the part numbers that TE has identified as EU ELV compliant have a maximum concentration of 0.1% by weight in homogenous materials for lead, hexavalent chromium, and mercury, and 0.01% for cadmium, or qualify for an exemption to these limits as defined in the Annexes of Directive 2000/53/EC (ELV). Regarding the REACH Regulation, the information TE provides on SVHC in articles for this part number is based on the latest European Chemicals Agency (ECHA) 'Guidance on requirements for substances in articles' posted at this URL: <https://echa.europa.eu/guidance-documents/guidance-on-reach>

### Compatible Parts



TE Part # 2-1437597-3  
2SWK132AL101=NON UL KEYLOCKS  
S

### Customers Also Bought



TE Part #YDTS26F13-04PAV001  
PLUG ASSY



TE Part #YDTS26F17-06PBV001  
Straight Plug: D38999, 17-06 Insert,  
Electroless Nickel Plating



TE Part #YDTS20F13-35SBV001  
RECP ASSY



TE Part #YDTS26F13-35PBV001  
PLUG ASSY



TE Part #YDTS26F15-35PBV001  
Straight Plug: D38999, 15-35 Insert,  
Electroless Nickel Plating



TE Part #189651-000  
22759/43-16-5



TE Part #1-1618002-9  
EV200HDANA=RELAY, SPST-NO

### Documents



### CAD Files

Customer View Model

[ENG\\_CVM\\_CVM\\_1-1437597-1\\_99.2d\\_dxf.zip](#)

English

3D PDF

3D

Customer View Model

[ENG\\_CVM\\_CVM\\_1-1437597-1\\_99.3d\\_igs.zip](#)

English

Customer View Model

[ENG\\_CVM\\_CVM\\_1-1437597-1\\_99.3d\\_stp.zip](#)

English

By downloading the CAD file I accept and agree to the [Terms and Conditions](#) of use.

### Datasheets & Catalog Pages

[SWITCHES\\_CORE\\_PROGRAM\\_CATALOG](#)

English