

W51-A122B1-15 ✓ ACTIVE

TE Internal #: 1-1423673-3

Circuit Breakers, Thermal, Trip-Free - Switchable, Illuminated, Red (Translucent) Rocker Color, 125 VAC Voltage Rating AC, 50 VDC Voltage Rating DC

[View on TE.com >](#)



Relays, Contactors & Switches > Circuit Breakers



Circuit Breaker Type: **Thermal**

Circuit Function: **Trip-Free - Switchable**

Illuminated: **Yes**

Rocker Color: **Red (Translucent)**

Voltage Rating AC: **125 VAC**

Features

Product Type Features

Circuit Breaker Style	Angular Button
Product Type	Circuit Breaker
Actuator Type	Rocker
Circuit Breaker Type	Thermal
Illuminated	Yes

Configuration Features

Panel Cutout	28.5 x 13.5 mm[1.122 x .531 in]
Earthing Switch	Without
Circuit Function	Trip-Free - Switchable

Electrical Characteristics

Voltage Rating AC	125 VAC
Voltage Rating DC	50 VDC
Circuit Breaker Current Rating	15 A
Interrupt Capacity	1000A @ 250VAC/50VDC

Body Features

Rocker Color	Red (Translucent)
--------------	-------------------

Contact Features

Pole Configuration	1
--------------------	---



Trip Time at 200% 4 – 40 seconds

Termination Features

Circuit Breaker Termination Type	6.35 [.25] Straight Quick Connect Tab
----------------------------------	---------------------------------------

Mechanical Attachment

Mounting Options	Snaps Into 1.122 x .531 (28.5 x 13.5) Panel Cutout
Circuit Breaker Mounting Type	Panel Mount

Dimensions

Panel Thickness	.75 – 3 mm [.03 – .118 in]
-----------------	----------------------------

Identification Marking

RESET/OFF Marking	RESET/OFF Printed
Stamped Marking Type	RESET/OFF Printed

Product Compliance

[For compliance documentation, visit the product page on TE.com>](#)

EU RoHS Directive 2011/65/EU	Compliant with Exemptions
EU ELV Directive 2000/53/EC	Not Compliant
China RoHS 2 Directive MIIT Order No 32, 2016	Restricted Materials Above Threshold
EU REACH Regulation (EC) No. 1907/2006	Current ECHA Candidate List: JAN 2022 (223) Candidate List Declared Against: JUL 2021 (219) SVHC > Threshold: Not Yet Reviewed
Halogen Content	Low Halogen - Br, Cl, F, I < 900 ppm per homogenous material. Also BFR/CFR/PVC Free
Solder Process Capability	Not applicable for solder process capability

Product Compliance Disclaimer

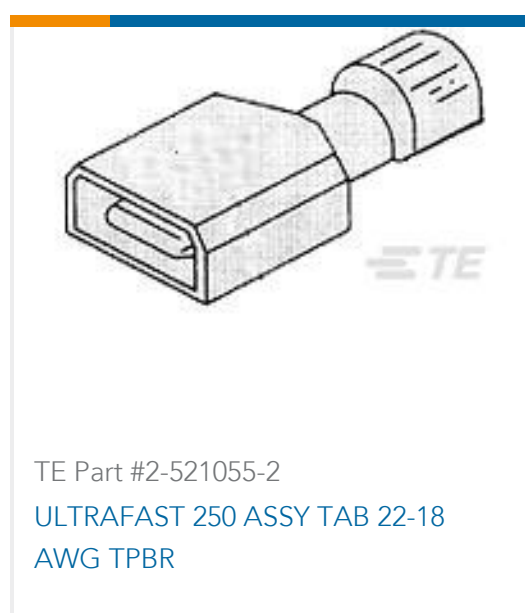
This information is provided based on reasonable inquiry of our suppliers and represents our current actual knowledge based on the information they provided. This information is subject to change. The part numbers that TE has identified as EU RoHS compliant have a maximum concentration of 0.1% by weight in homogenous materials for lead, hexavalent chromium, mercury, PBB, PBDE, DBP, BBP, DEHP, DIBP, and 0.01% for cadmium, or qualify for an exemption to these limits as defined in the Annexes of Directive 2011/65/EU (RoHS2). Finished electrical and electronic equipment products will be CE marked as required by Directive 2011/65/EU. Components may not be CE marked. Additionally, the part numbers that TE has identified as EU ELV compliant have a maximum concentration of 0.1% by weight in homogenous materials for lead, hexavalent chromium, and mercury, and 0.01% for cadmium, or qualify for an exemption to these limits as defined in the Annexes of Directive 2000/53/EC (ELV). Regarding the REACH Regulation, the information TE provides

on SVHC in articles for this part number is based on the latest European Chemicals Agency (ECHA) 'Guidance on requirements for substances in articles' posted at this URL: <https://echa.europa.eu/guidance-documents/guidance-on-reach>

Compatible Parts



Customers Also Bought



Documents

[CAD Files](#)

[3D PDF](#)

[3D](#)



Customer View Model

[ENG_CVM_CVM_1-1423673-3_E.2d_dxf.zip](#)

English

Customer View Model

[ENG_CVM_CVM_1-1423673-3_E.3d_igs.zip](#)

English

Customer View Model

[ENG_CVM_CVM_1-1423673-3_E.3d_stp.zip](#)

English

By downloading the CAD file I accept and agree to the [Terms and Conditions](#) of use.

Datasheets & Catalog Pages

[W51 Rocker-Actuated Thermal Circuit Breaker/Power Switch With Optional Indicator Lamp](#)

English

[Industrial Relays Quick Reference Guide](#)

English

[Industrial Relays Quick Reference Guide](#)

Japanese

[Industrial Relays Quick Reference Guide](#)