

1-1414995-0 ✓ ACTIVE



High Current Relay HCR 200

TE Internal #: 1-1414995-0

High Current Relay HCR 200, Automotive High Current Relays, 12 VDC Coil Voltage, >50A, 1 Form B (NC), Diode in Parallel, Monostable, DC

[View on TE.com >](#)

Relays, Contactors & Switches > Relays > Automotive Relays > Automotive High Current Relays



Rated Coil Voltage: **12 VDC**

High Current Automotive Relay Contact Current Class: **>50A**

High Current Automotive Relay Contact Arrangement: **1 Form B (NC)**

Coil Suppression: **Diode in Parallel**

High Current Automotive Relay Coil Magnetic System: **Monostable, DC**

Features

Product Type Features

Product Designation	High Current Automotive Relays
Product Category	Electromechanical Relays
Relay Type	High Current Relay HCR 200
Product Classification	Relays - Automotive High Current Relays
Product Type	Relay

Electrical Characteristics

Current Rating (85°C)	175 A
Insulation Initial Dielectric Between Contacts and Coil	500 Vrms
Insulation Initial Dielectric Between Coil/Contact Class	0 – 500 V
Coil Power Rating (DC)	3300 mW
Insulation Initial Dielectric Between Open Contacts	500 Vrms
Contact Limiting Making Current	200 A
Contact Limiting Continuous Current	255 A
Rated Voltage	12 VDC
Contact Limiting Breaking Current	200 A
Contact Switching Load (Min)	1000mA @ 5VDC
Rated Coil Voltage	12 VDC
Coil Suppression	Diode in Parallel

High Current Automotive Relay Coil Magnetic System	Monostable, DC
--	----------------

High Current Automotive Relay Coil Resistance	43 Ω
---	-------------

Body Features

Weight	230 g[8.1 oz]
--------	---------------

Contact Features

Terminal Type	Screw Terminals
---------------	-----------------

Contact Base Material	Silver Alloy
-----------------------	--------------

High Current Automotive Relay Contact Current Class	>50A
---	------

High Current Automotive Relay Contact Arrangement	1 Form B (NC)
---	---------------

Mechanical Attachment

Mounting Type	Screw
---------------	-------

Dimensions

Width Class (Mechanical)	30 – 40 mm
--------------------------	------------

Height	42.5 mm[1.673 in]
--------	-------------------

Length Class (Mechanical)	>60mm
---------------------------	-------

Length	72 mm[2.83 in]
--------	----------------

Height Class (Mechanical)	40 – 50 mm
---------------------------	------------

Width	35.35 mm[1.391 in]
-------	--------------------

Usage Conditions

Environmental Ambient Temperature (Max)	155 °C[311 °F]
---	----------------

Environmental Ambient Temperature Class	-40 – 110°C
---	-------------

Other

Mounting Brackets	With
-------------------	------

High Power Relays (>75A)	Yes
--------------------------	-----

Product Compliance

For compliance documentation, visit the product page on [TE.com](https://www.te.com)>

EU RoHS Directive 2011/65/EU	Compliant
------------------------------	-----------

EU ELV Directive 2000/53/EC	Compliant
-----------------------------	-----------

China RoHS 2 Directive MIIT Order No 32, 2016	No Restricted Materials Above Threshold
---	---

EU REACH Regulation (EC) No. 1907/2006	Current ECHA Candidate List: JAN 2022 (223)
--	---



Candidate List Declared Against: JUL 2021
(219)
SVHC > Threshold:
Not Yet Reviewed

Halogen Content Low Halogen - Br, Cl, F, I < 900 ppm per homogenous material. Also BFR/CFR/PVC Free

Solder Process Capability Not applicable for solder process capability

Product Compliance Disclaimer

This information is provided based on reasonable inquiry of our suppliers and represents our current actual knowledge based on the information they provided. This information is subject to change. The part numbers that TE has identified as EU RoHS compliant have a maximum concentration of 0.1% by weight in homogenous materials for lead, hexavalent chromium, mercury, PBB, PBDE, DBP, BBP, DEHP, DIBP, and 0.01% for cadmium, or qualify for an exemption to these limits as defined in the Annexes of Directive 2011/65/EU (RoHS2). Finished electrical and electronic equipment products will be CE marked as required by Directive 2011/65/EU. Components may not be CE marked. Additionally, the part numbers that TE has identified as EU ELV compliant have a maximum concentration of 0.1% by weight in homogenous materials for lead, hexavalent chromium, and mercury, and 0.01% for cadmium, or qualify for an exemption to these limits as defined in the Annexes of Directive 2000/53/EC (ELV). Regarding the REACH Regulation, the information TE provides on SVHC in articles for this part number is based on the latest European Chemicals Agency (ECHA) 'Guidance on requirements for substances in articles' posted at this URL: <https://echa.europa.eu/guidance-documents/guidance-on-reach>

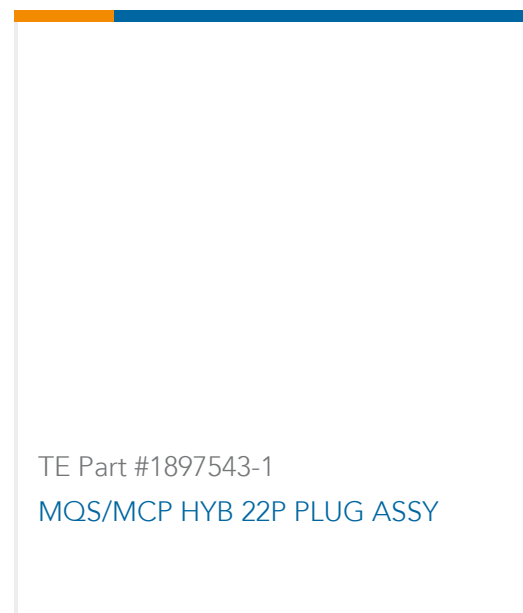
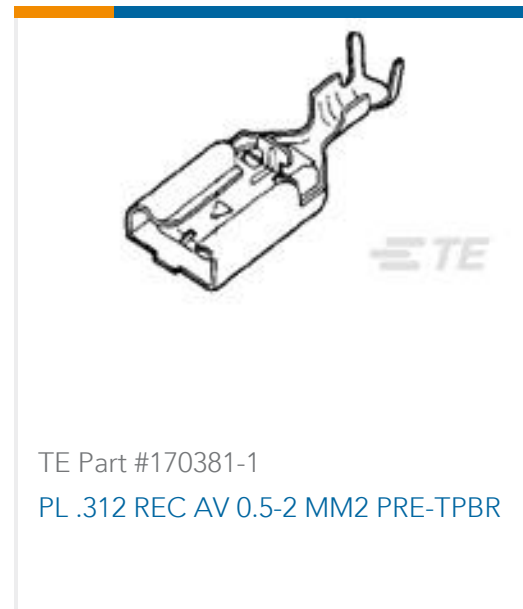
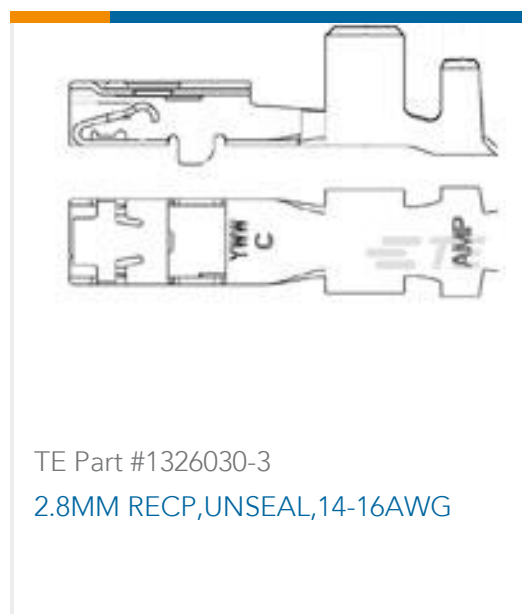
Compatible Parts



Also in the Series | High Current Relay HCR 200



Customers Also Bought



Documents

Product Drawings

V23230D2001B200

English

CAD Files

3D PDF

3D

Customer View Model

ENG_CVM_CVM_1-1414995-0_A.2d_dxf.zip

English

Customer View Model

ENG_CVM_CVM_1-1414995-0_A.3d_igs.zip

English

Customer View Model

ENG_CVM_CVM_1-1414995-0_A.3d_stp.zip

English

By downloading the CAD file I accept and agree to the [Terms and Conditions](#) of use.

Datasheets & Catalog Pages



[Automotive Relay Application Notes](#)

English

[High Current Relay 200, High Current Devices, High Current Solutions](#)

English

[Product Specifications](#)

[Definitions, Handling, Processing, Testing and Use of Relays](#)

English