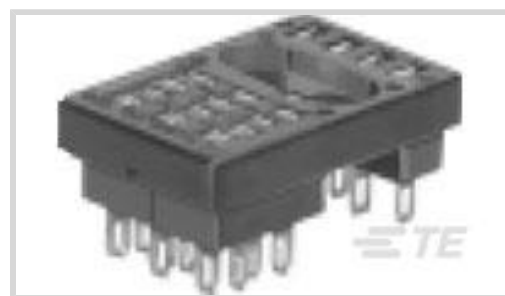




Relays, Contactors & Switches > Relays > Relay Accessories, Sockets & Clips



Relay Accessory, Socket & Clip Product Type: **Socket**

Relay Accessory, Socket & Clip Socket Type: **Printed Circuit Board**

Grounding Provision: **With**

Relay Accessory, Socket & Clip Body Material: **Polyester**

Relay Accessory, Socket & Clip For Use With: **R10 Relays**

## Features

### Product Type Features

Terminal Configuration	PC Stag
Relay Accessory, Socket & Clip Product Type	Socket
Relay Accessory Type	Socket

### Configuration Features

Grounding Provision	With
---------------------	------

### Body Features

Relay Accessory, Socket & Clip Body Material	Polyester
----------------------------------------------	-----------

### Contact Features

Terminal Length	4.57 mm[.18 in]
Contact Plating Material	Tin
Contact Base Material	Spring Brass
Relay Accessory, Socket & Clip Socket Type	Printed Circuit Board
Pole Configuration	2

### Termination Features

Number of Pins	10
----------------	----

### Mechanical Attachment

Relay Accessory, Socket & Clip Mounting Type	Printed Circuit Board
----------------------------------------------	-----------------------

### Operation/Application



Relay Accessory, Socket & Clip For Use With R10 Relays

Other

Comment Strip Grounding

Product Compliance




[For compliance documentation, visit the product page on TE.com>](#)

EU RoHS Directive 2011/65/EU	Compliant
EU ELV Directive 2000/53/EC	Compliant
China RoHS 2 Directive MIIT Order No 32, 2016	No Restricted Materials Above Threshold
EU REACH Regulation (EC) No. 1907/2006	Current ECHA Candidate List: JAN 2022 (223) Candidate List Declared Against: JAN 2022 (223) Does not contain REACH SVHC
Halogen Content	Low Halogen - Br, Cl, F, I < 900 ppm per homogenous material. Also BFR/CFR/PVC Free
Solder Process Capability	Not applicable for solder process capability

Product Compliance Disclaimer

This information is provided based on reasonable inquiry of our suppliers and represents our current actual knowledge based on the information they provided. This information is subject to change. The part numbers that TE has identified as EU RoHS compliant have a maximum concentration of 0.1% by weight in homogenous materials for lead, hexavalent chromium, mercury, PBB, PBDE, DBP, BBP, DEHP, DIBP, and 0.01% for cadmium, or qualify for an exemption to these limits as defined in the Annexes of Directive 2011/65/EU (RoHS2). Finished electrical and electronic equipment products will be CE marked as required by Directive 2011/65/EU. Components may not be CE marked. Additionally, the part numbers that TE has identified as EU ELV compliant have a maximum concentration of 0.1% by weight in homogenous materials for lead, hexavalent chromium, and mercury, and 0.01% for cadmium, or qualify for an exemption to these limits as defined in the Annexes of Directive 2000/53/EC (ELV). Regarding the REACH Regulation, the information TE provides on SVHC in articles for this part number is based on the latest European Chemicals Agency (ECHA) 'Guidance on requirements for substances in articles' posted at this URL: <https://echa.europa.eu/guidance-documents/guidance-on-reach>

Compatible Parts

 <p>TE Part # 4-1393766-4 R10-E1Y2-V700=R10</p>	 <p>TE Part # 6-1393765-9 R10-E1P2-V700=R10</p>	 <p>TE Part # 1393766-5 R10-E1X2-V185=R10</p>	 <p>TE Part # 1393766-9 R10-E1X2-V700=R10</p>
----------------------------------------------------------------------------------------------------------------------------------------	----------------------------------------------------------------------------------------------------------------------------------------	----------------------------------------------------------------------------------------------------------------------------------------	----------------------------------------------------------------------------------------------------------------------------------------




TE Part # 1393766-3  
R10-E1X2-S800=R10



TE Part # 1393766-6  
R10-E1X2-V2.5K=R10



TE Part # 3-1393766-5  
R10-E1Y2-J5.0K=R10



TE Part # 4-1393766-1  
R10-E1Y2-V2.5K=R10



TE Part # 4-1393766-3  
R10-E1Y2-V52=R10



TE Part # 7-1393766-0  
R10-E1Z2-S800=R10



TE Part # 7-1393766-2  
R10-E1Z2-V185=R10



TE Part # 7-1393769-6  
R10S-E1Y2-J500=R10



TE Part # 6-1393765-8  
R10-E1P2-V185=R10



TE Part # 1393766-8  
R10-E1X2-V52=R10



TE Part # 7-1393765-0  
R10-E1P2-115V=R10



TE Part # 9-1393765-1  
R10-E1W2-V700=R10



TE Part # 1-1393766-0  
R10-E1X2-115V=R10



TE Part # 5-1393765-8  
R10-E1M2-V700=R10



TE Part # 8-1393765-9  
R10-E1W2-V185=R10

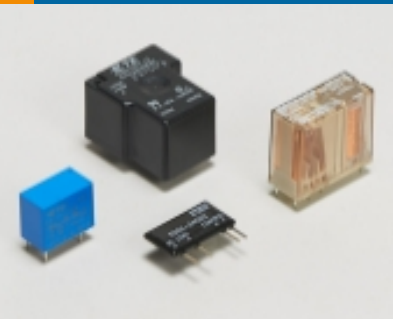


TE Part # 1393766-7  
R10-E1X2-V28=R10


Also in the Series | **Potter & Brumfield R10**



PCB Headers & Receptacles(1)



Power Relays(180)



Relay Accessories, Sockets & Clips(30)

Customers Also Bought



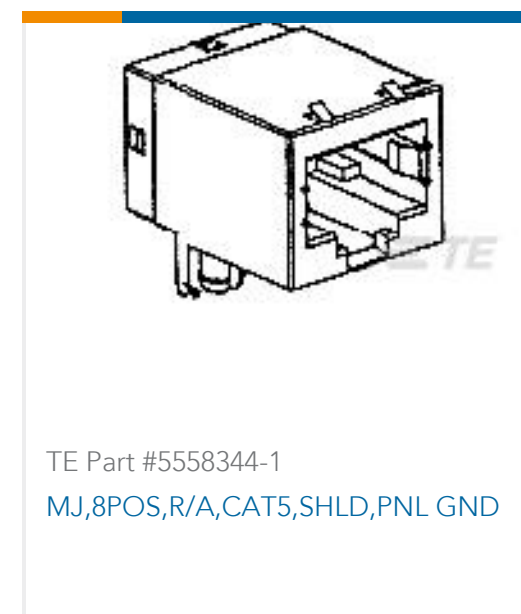
TE Part #86-030A-C  
30 PSIA CABLE CONN MV PRESSURE  
SENSOR



TE Part #5102160-9  
A/L UNIV HDR 40P RA



TE Part #5749181-1  
Mini DIN, 4 pos, R/A, Shield



TE Part #5558344-1  
MJ, 8POS, R/A, CAT5, SHLD, PNL GND



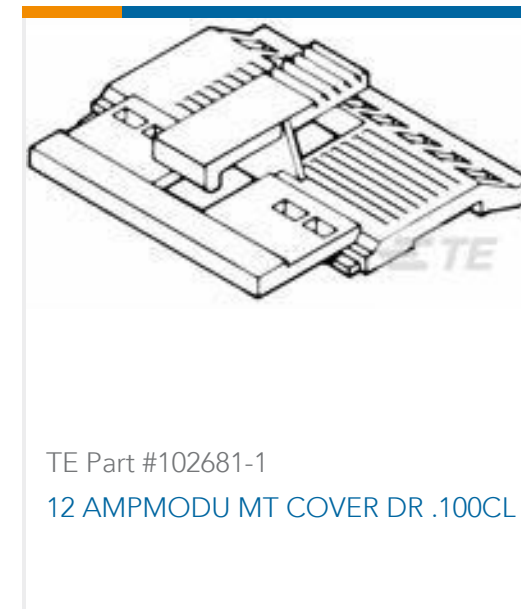
TE Part #5-102694-1  
06 ampmodu mt assy dr.sn



TE Part #1393122-1  
KHAE-17D12-24=KH



TE Part #1734100-4  
Champ050 series, 40pos, Au over PdNi



TE Part #102681-1  
12 AMPMODU MT COVER DR .100CL



TE Part #3-1393766-3  
R10-E1Y2-J1.0K=R10

## Documents

### CAD Files

#### Customer View Model

[ENG\\_CVM\\_CVM\\_1-1393143-1\\_B.2d\\_dxf.zip](#)

English

### 3D PDF

3D

#### Customer View Model

[ENG\\_CVM\\_CVM\\_1-1393143-1\\_B.3d\\_igs.zip](#)

English

#### Customer View Model

[ENG\\_CVM\\_CVM\\_1-1393143-1\\_B.3d\\_stp.zip](#)

English

By downloading the CAD file I accept and agree to the [Terms and Conditions](#) of use.

### Datasheets & Catalog Pages

#### R10 Sockets & Accessories

English

#### Industrial Relays Quick Reference Guide

English



## [Industrial Relays Quick Reference Guide](#)

Japanese

## [Industrial Relays Quick Reference Guide](#)

---

### [Product Specifications](#)

[Definitions, Handling, Processing, Testing and Use of Relays](#)

English

---

### [Product Environmental Compliance](#)

[TE Material Declaration](#)

English