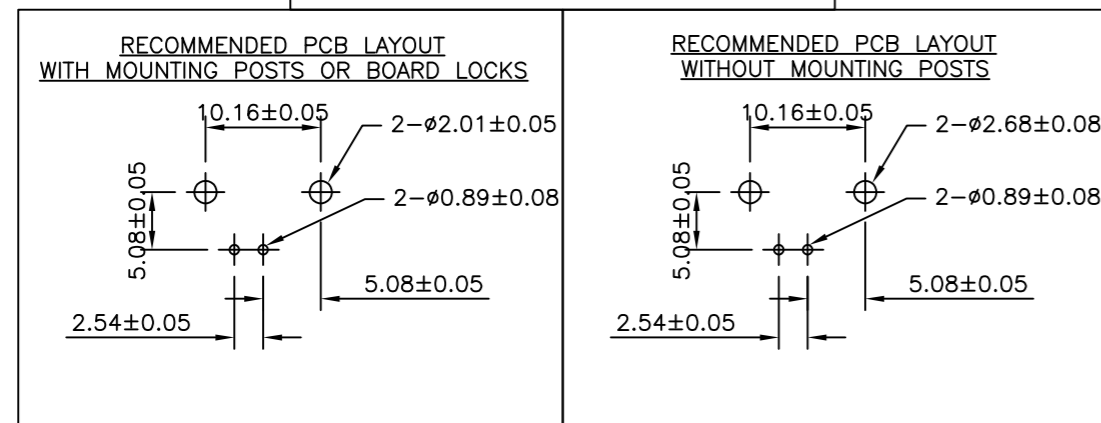
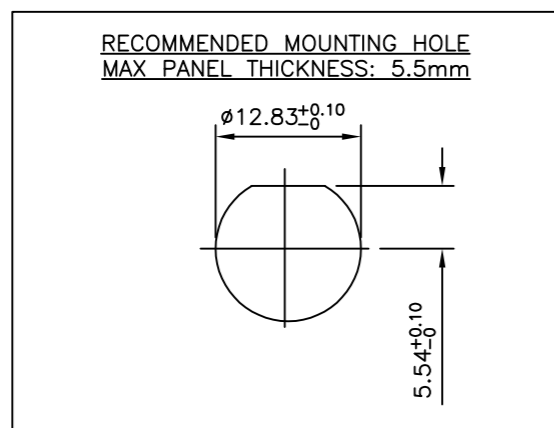
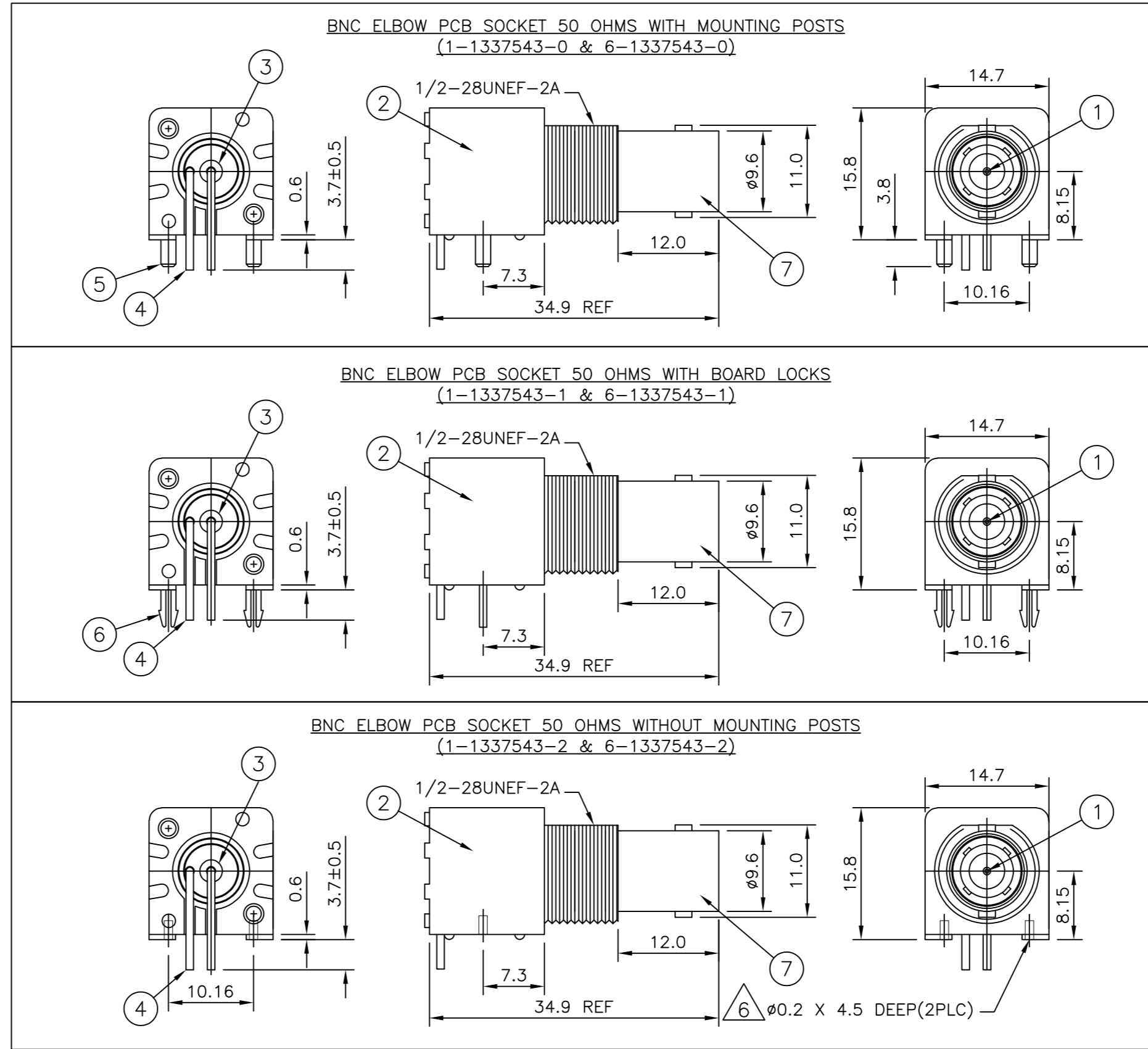


THIS DRAWING IS UNPUBLISHED. RELEASED FOR PUBLICATION AUGUST, 2005.  
 © COPYRIGHT 2005 By - ALL RIGHTS RESERVED.

LOC		DIST		REVISIONS			
P	LTR	DESCRIPTION	DATE	DWN	APVD		
E1		REVISED PER ECO-11-005033	31MAR11	RK	HMR		
F		ECO-12-014680	20Aug2012	TITAN	MARTIN		
G		ECO-12-018113	27DEC12	TITAN	MARTIN		

- NOTES:**
- ▲ SINGLE PACK IN ACCORDANCE WITH AMP SPEC 107-3275
  - ▲ 50 TRAY PACK IN ACCORDANCE WITH AMP SPEC 107-3275
  - ▲ GOLD PLATING
  - ▲ NICKEL PLATING
  - ▲ TIN PLATING
  - ▲ RECOMMENDED SELF-TAPPING SCREW 221108-4
  - 7. RECOMMENDED MOUNT NUT 1-1634816-0
  - 8. RECOMMENDED LOCKWASHER 1-1634817-0
  - 9. FOR TECHNICAL DATA REFER TO YOUR LOCAL TE CONNECTIVITY SALES OFFICE
  - 10. ALL DIMENSIONS ARE NOMINAL FOR REFERENCE ONLY UNLESS OTHERWISE STATED



Obsolete	Obsolete	Obsolete	Obsolete	Obsolete	Quantity	Material	Description	Item
1	1	1	1	1	1	ZINC DIECAST	▲ BODY	7
-	-	2	2	-	-	BRASS	▲ BOARD LOCK	6
-	-	-	-	2	2	BRASS	▲ MOUNTING POST	5
1	1	1	1	1	1	BRASS	▲ SOLDER TAIL	4
1	1	1	1	1	1	PE-606	INSULATOR	3
1	1	1	1	1	1	PBT WHITE	HOUSING	2
1	1	1	1	1	1	BRASS	▲ CONTACT	1
6--2	1--2	6--1	1--1	6--0	1--0	MATERIAL	DESCRIPTION	ITEM
▲	▲	▲	▲	▲	▲			

THIS DRAWING IS A CONTROLLED DOCUMENT.

DWN	RITA ZUO	14 Feb 09		TE Connectivity									
CHK	ANSON MA	14 Feb 09											
APVD	BOB ZHAO	14 Feb 09											
PRODUCT SPEC	108-112000												
MATERIAL	SEE TABLE	FINISH	SEE TABLE	WEIGHT	-	SCALE	A2	CAGE CODE	00779	DRAWING NO	C=1337543	RESTRICTED TO	-
CUSTOMER DRAWING		SCALE		NTS	SHEET	1 of 1	REV	G					