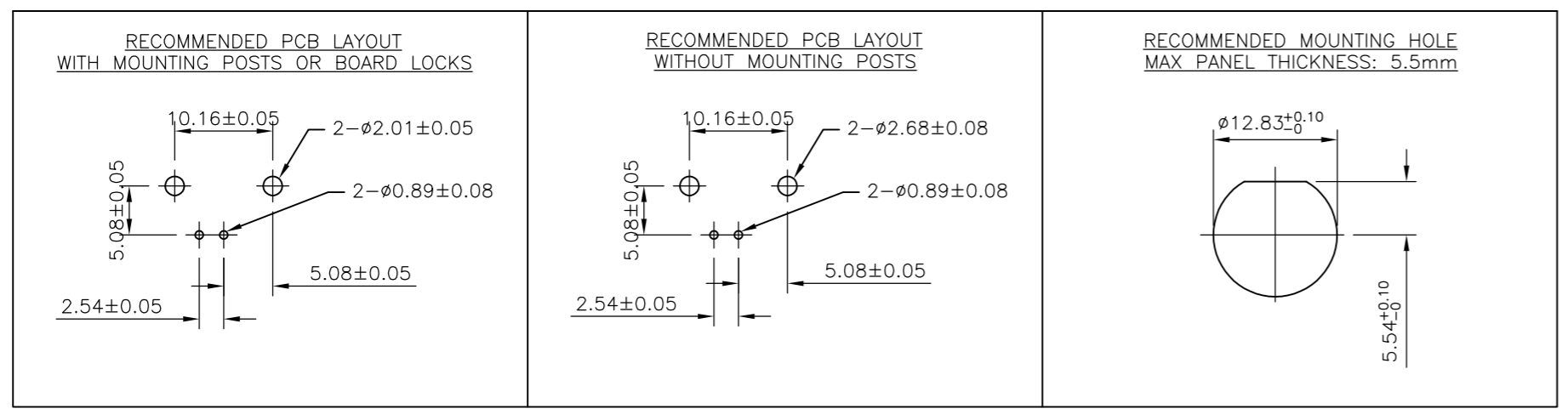
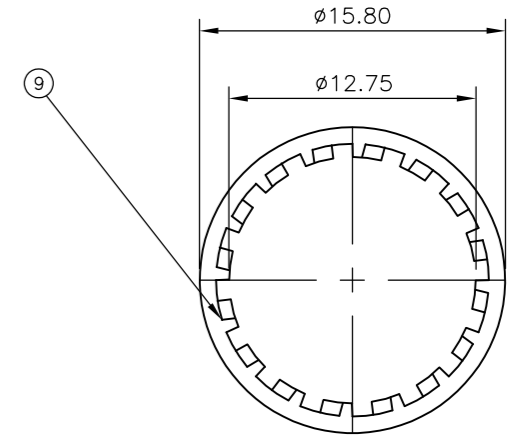
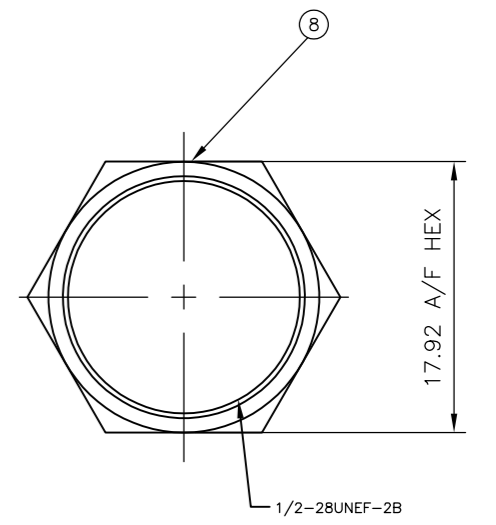
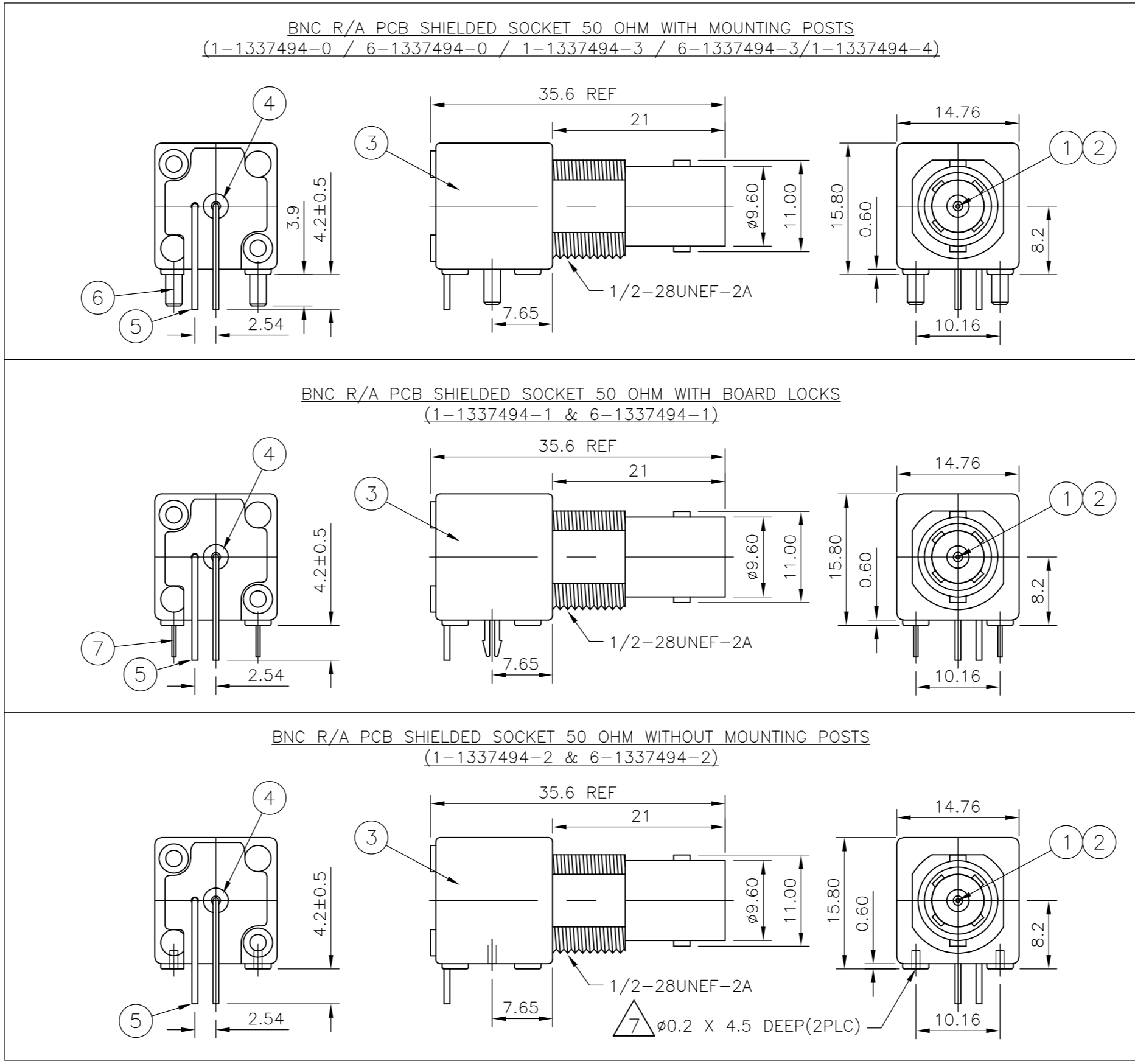


LOC	DIST	REVISIONS					
		P	LTR	DESCRIPTION	DATE	DWN	APVD
E	B	F2		REVISED PER ECO-12-009825	19NOV12	KH	FB

- 1 SINGLE PACK IN ACCORDANCE WITH AMP SPEC 107-3275
- 2 50 TRAY PACK IN ACCORDANCE WITH AMP SPEC 107-3275
- 3 FLASH Au PLATING OVER Ni PLATING OVER Cu PLATING
- 4 0.8 μm Au PLATING OVER Ni PLATING OVER Cu PLATING
- 5 Ni PLATING OVER Cu PLATING
- 6 TIN PLATING
- 7 RECOMMENDED SELF-TAPPING SCREW 221108-4
- 8 RECOMMENDED MOUNT NUT 1-1634816-0
- 9 RECOMMENDED LOCKWASHER 1-1634817-0
- 10 FOR TECHNICAL DATA REFER TO YOUR LOCAL TE CONNECTIVITY SALES OFFICE
- 11 ALL DIMENSIONS ARE NOMINAL FOR REFERENCE ONLY UNLESS OTHERWISE STATED
- 12 OBSOLETE



QUANTITY PER ASSY								PARTS LIST			
1	-	-	-	-	-	-	-	STEEL	5	LOCK WASHER	9
1	-	-	-	-	-	-	-	BRASS	5	NUT	8
-	-	-	-	2	2	-	-	BRASS	6	BOARD LOCK	7
2	2	-	-	-	-	2	2	BRASS	6	MOUNTING POST	6
1	1	1	1	1	1	1	1	BRASS	6	SOLDER TAIL	5
1	1	1	1	1	1	1	1	PE-606	4	INSULATOR	4
1	1	1	1	1	1	1	1	ZINC ALLOY	5	BODY	3
-	1	1	-	-	-	-	-	BRASS	4	CONTACT	2
1	-	-	1	1	1	1	1	PHOSPHOR BRONZE	3	CONTACT	1
1--4	6--3	1--3	6--2	1--2	6--1	1--1	6--0	MATERIAL		DESCRIPTION	ITEM
1	2	1	2	1	2	1	2				

THIS DRAWING IS A CONTROLLED DOCUMENT.

DIMENSIONS: mm	TOLERANCES UNLESS OTHERWISE SPECIFIED:	DWN RITA ZUO 14 Feb 09		
MATERIAL: SEE TABLE	FINISH: SEE TABLE	CHK ANSON MA 14 Feb 09		
		APVD BOB ZHAO 14 Feb 09		
		PRODUCT SPEC 108-112000 APPLICATION SPEC		
		WEIGHT: -	SIZE: A2	CAGE CODE: 00779
		CUSTOMER DRAWING	SCALE: NTS	SHEET: 1 OF 1

NAME: BNC R/A PCB SHIELDED SOCKET 50 OHM

DRAWING NO: C-1337494

RESTRICTED TO: -

REV: F2