

1-111446-7 ✓ ACTIVE

## AMP-LATCH

TE Internal #: 1-111446-7

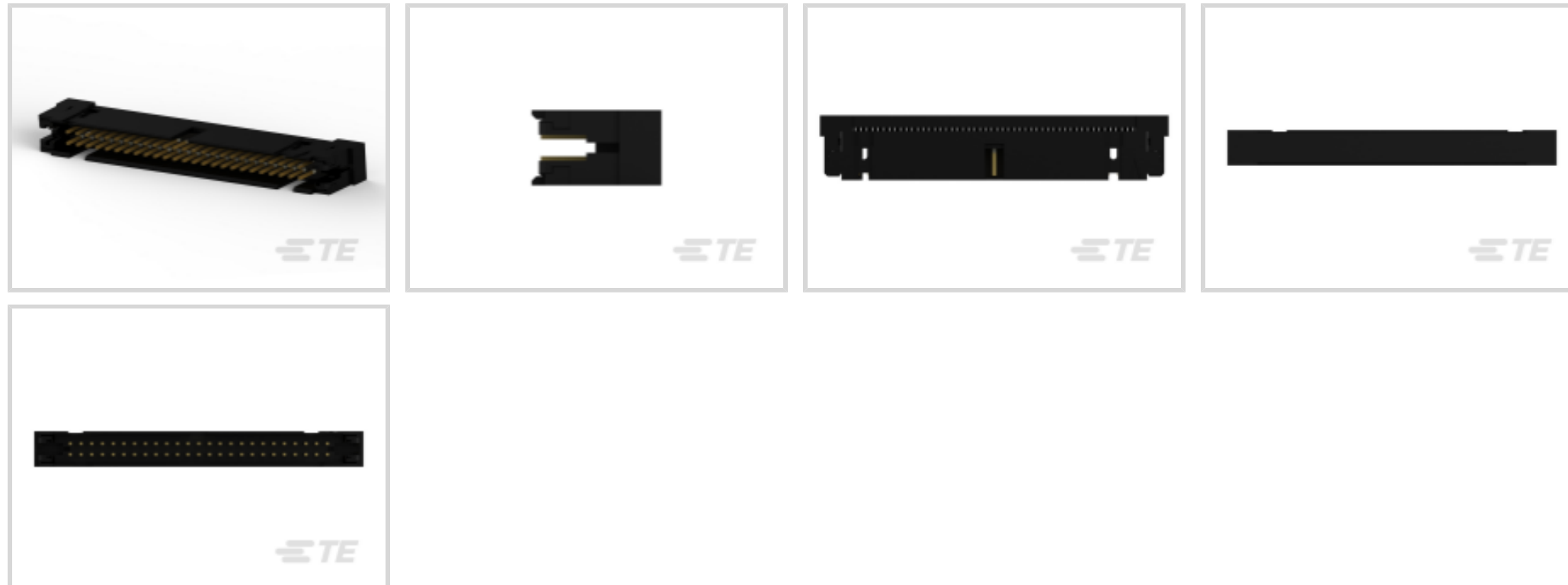
Ribbon Cable Connectors, Wire-to-Wire, 50 Position, .1 in [2.54 mm] Centerline, Vertical, Through Hole - Solder, Insulation

Displacement (IDC), 2 Row

[View on TE.com >](#)



Connectors > PCB Connectors > Wire-to-Board Connectors > FFC, FPC & Ribbon Connectors > Ribbon Cable Connectors



Connector System: **Wire-to-Wire**

Number of Positions: **50**

Centerline (Pitch): **2.54 mm [ .1 in ]**

PCB Mount Retention: **Without**

PCB Mount Retention Type: **Screw Mount**

### Features

#### Product Type Features

Connector Type	Connector Assembly
Ribbon Cable Connector Header Type	Shrouded
Connector Product Type	Connector Assembly
Connector System	Wire-to-Wire
Connector & Housing Type	Plug
Connector & Contact Terminates To	Wire & Cable

#### Configuration Features

Number of Positions	50
PCB Mount Orientation	Vertical
Number of Rows	2

#### Electrical Characteristics

UL Voltage Rating	250 VAC
Insulation Resistance	5000 MΩ
Operating Voltage	250 VAC



### Body Features

Daisy Chain	Without
Connector Profile	Low

### Contact Features

Contact Mating Area Length	6.1 mm[.24 in]
Mating Square Post Dimension	.64 mm[.025 in]
Contact Type	Pin
Wire Contact Termination Area Plating Thickness	2.54 $\mu$ m[100 $\mu$ in]
Wire Contact Termination Area Plating Material	Tin
Contact Mating Area Plating Material Thickness	.76 $\mu$ m[29.92 $\mu$ in][30 $\mu$ in]
Contact Shape & Form	Tuning Fork
Contact Base Material	Phosphor Bronze
Contact Current Rating (Max)	1 A

### Termination Features

Termination Method to Printed Circuit Board	Through Hole - Solder
Termination Method to Wire & Cable	Insulation Displacement (IDC)

### Mechanical Attachment

Mating Alignment	With
PCB Mount Alignment	With
Panel Mount Feature	Without
PCB Mount Retention	Without
PCB Mount Retention Type	Screw Mount
Mating Alignment Type	Keyed
Mating Retention	Without
Connector Mounting Type	Cable Mount (Free-Hanging)

### Housing Features

Housing Material	Thermoplastic
Housing Color	Black
Centerline (Pitch)	2.54 mm[.1 in]

### Dimensions

Shrouded End Dimension	3.81 mm[.15 in]
Connector Length	78.03 mm[3.072 in]



Connector Height	14.48 mm[.57 in]
Connector Width	8.38 mm[.33 in]
Wire Size	.08 – .15 mm <sup>2</sup>
Accepts Wire Insulation Diameter Range	.81 – .97 mm[.032 – .038 in]
Row-to-Row Spacing	2 mm[.1 in]

### Usage Conditions

Operating Temperature Range	-65 – 105 °C[-85 – 221 °F]
-----------------------------	----------------------------

### Operation/Application

Circuit Application	Signal
---------------------	--------

### Industry Standards

CSA File Number	LR 7189
UL Rating	Recognized
Agency/Standard	CSA, UL
UL File Number	E28476
UL Flammability Rating	UL 94V-0

### Packaging Features

Packaging Quantity	40
Packaging Method	Box & Tray, Tray

### Product Compliance

[For compliance documentation, visit the product page on TE.com>](#)

EU RoHS Directive 2011/65/EU	Compliant
EU ELV Directive 2000/53/EC	Compliant
China RoHS 2 Directive MIIT Order No 32, 2016	No Restricted Materials Above Threshold
EU REACH Regulation (EC) No. 1907/2006	Current ECHA Candidate List: JAN 2022 (223) Candidate List Declared Against: JAN 2022 (223) Does not contain REACH SVHC
Halogen Content	Not Low Halogen - contains Br or Cl > 900 ppm.
Solder Process Capability	Not applicable for solder process capability

Product Compliance Disclaimer

This information is provided based on reasonable inquiry of our suppliers and represents our current actual knowledge based on the information they provided. This information is subject to change. The part numbers that TE has identified as EU RoHS compliant have a maximum concentration of 0.1% by weight in homogenous materials for lead, hexavalent chromium, mercury, PBB, PBDE, DBP, BBP, DEHP, DIBP, and 0.01% for cadmium, or qualify for an exemption to these limits as defined in the Annexes of Directive 2011/65/EU (RoHS2). Finished electrical and electronic equipment products will be CE marked as required by Directive 2011/65/EU. Components may not be CE marked. Additionally, the part numbers that TE has identified as EU ELV compliant have a maximum concentration of 0.1% by weight in homogenous materials for lead, hexavalent chromium, and mercury, and 0.01% for cadmium, or qualify for an exemption to these limits as defined in the Annexes of Directive 2000/53/EC (ELV). Regarding the REACH Regulation, the information TE provides on SVHC in articles for this part number is based on the latest European Chemicals Agency (ECHA) 'Guidance on requirements for substances in articles' posted at this URL: <https://echa.europa.eu/guidance-documents/guidance-on-reach>

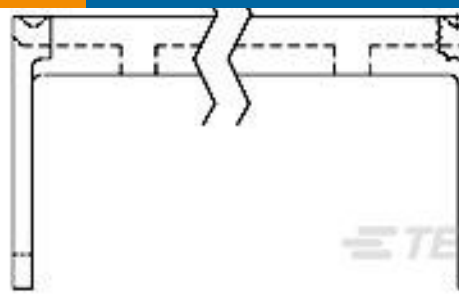
## Compatible Parts



TE Part # 499252-4  
050 STRAIN RELIEF A-L RCPT



TE Part # 1-111547-1  
050 UNIV I/O STRAIN RELIEF



TE Part # 8-1437021-1  
609-5031HD=FSKT IDC S 50 SR



TE Part # 1-1658622-0  
50 NOVO MIL/CTR 30DP, LEAD FREE



TE Part # 1-1658620-0  
50 NOVO MIL 15DP, LEAD FREE



TE Part # 1-1658621-0  
50 NOVO MIL/CTR 15DP, LEAD FREE



TE Part # 2-1658526-3  
609-5030LF FEM SOCKET, LEAD FREE




TE Part # 2-1658526-4  
609-5041LF FEM SOCKET, LEAD FREE



TE Part # 1-1658527-4  
622-5030LF FEM SOCKET, LEAD FREE



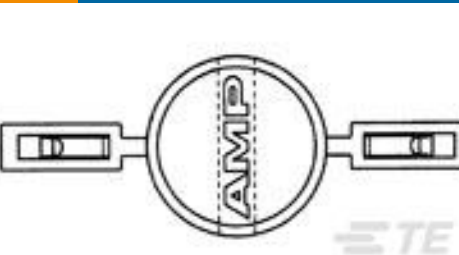
TE Part # 1-1658527-5  
622-5041LF FEM SOCKET, LEAD FREE



TE Part # 499991-2  
POLARIZER AMP-LATCH 50/BAG



TE Part # 1658528-8  
636-5041LF FEM SOCKET, LEAD FREE



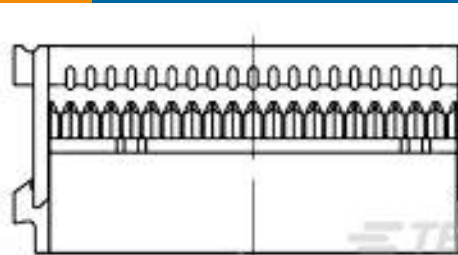
TE Part # 499991-3  
POLARIZER AMP-LATCH 1000/BAG



TE Part # 1-1658623-0  
50 NOVO MIL 30DP, LEAD FREE



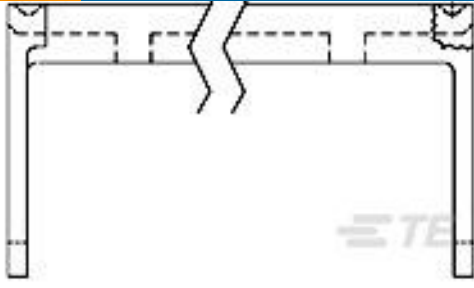
TE Part # 1-1658624-0  
050 NOVO DUAL 30DP FT



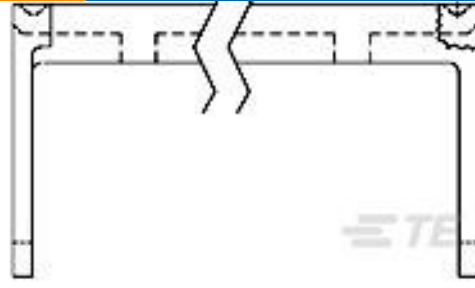
TE Part # 2-1658526-2  
609-5001MLF FEM SCKT, LEAD FREE




TE Part # 2-1658528-0  
636-5030LF=FEM SKT BLADE POL 1



TE Part # 1-1437025-2  
622-5031=FSKT IDC S 50 SR



TE Part # 6-1437028-8  
636-5031=FEM SOKT 15 MICRO

## Customers Also Bought



TE Part #166995-2  
20DP CRIMP PIN



TE Part #1-86177-3  
12 MODIV HSG COMP DR .100CL

TE Part #1-966830-2  
HD20 CONNECTOR KIT

TE Part #1-966830-4  
HD20 CONNECTOR KIT

TE Part #1-966831-8  
HD22 CONNECTOR KIT 26P

TE Part #1-966830-3  
HD20 CONNECTOR KIT

TE Part #3-1481298-7  
ANVIL

TE Part #4-1768028-4  
LBG-U-02338



TE Part #5-690403-9  
CRIMPER INSUL F

TE Part #6-1768021-1  
KMT-15032V-9

## Documents

### Product Drawings

50 UNIV I/O, NO EARS, LEAD FREE

English

### CAD Files

Customer View Model

ENG\_CVM\_CVM\_1-111446-7\_M.2d\_dxf.zip

English

3D PDF



3D

Customer View Model

[ENG\\_CVM\\_CVM\\_1-111446-7\\_M.3d\\_igs.zip](#)

English

Customer View Model

[ENG\\_CVM\\_CVM\\_1-111446-7\\_M.3d\\_stp.zip](#)

English

By downloading the CAD file I accept and agree to the [Terms and Conditions](#) of use.

---

### Datasheets & Catalog Pages

[Ribbon Cable Interconnect Solutions](#)

English

---

### Product Specifications

[Application Specification](#)

English

---

### Agency Approvals

[Agency Approval Document](#)

English