

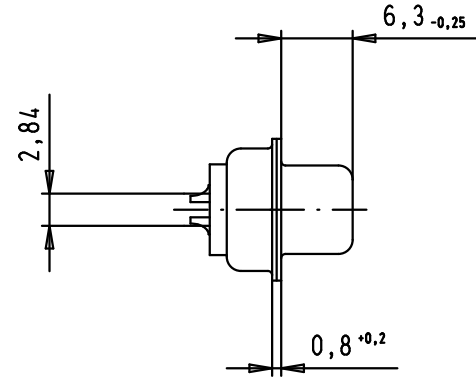
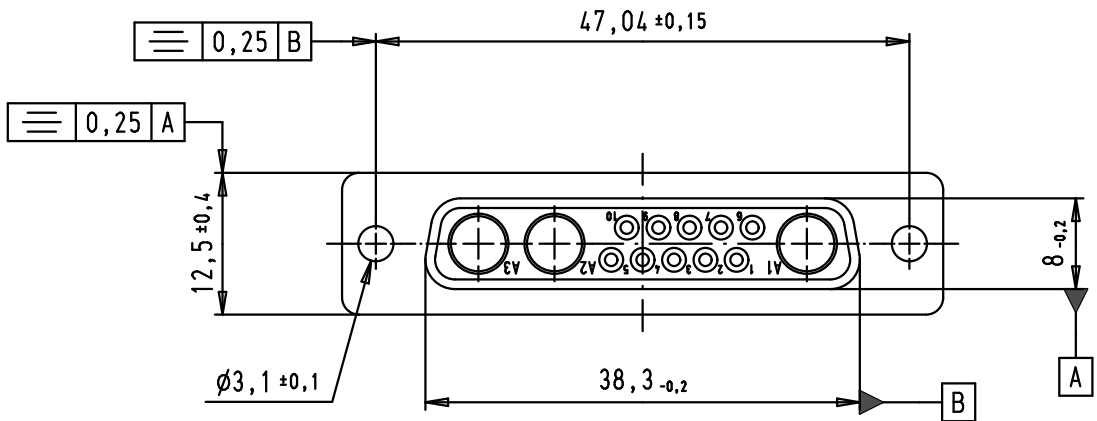
5

4

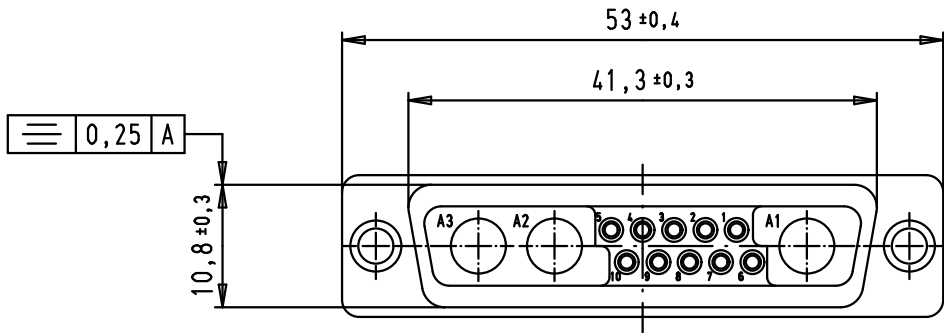
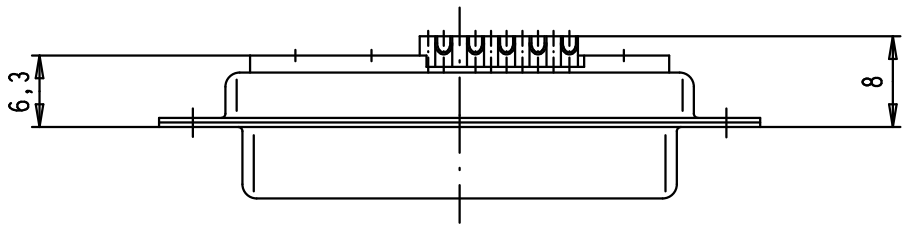
3

2

1



Solder bucket termination for AWG 20



B

A

					Det.	Name	 All Dim. in mm Orig. Size DIN A 4	
					Detail.	29/08/07		PK
					Insp.			
					Stand.			
EC00369	09/07/09	PK	HARTING EURL F-95972 Paris					
34402	29/08/07	PK						
Mod.	Det.	Name						

D-Sub, 13W3, female, straight, solder buckets, tin plated shell	Maßstab/ Scale 1,5:1
TB 09 69 301 X133	Blatt/ Page 1/1
Sub.	

09 69 301 7133	PL3
09 69 301 5133	0,76 µm Au
Part number	Performance level

Mouser Electronics

Authorized Distributor

Click to View Pricing, Inventory, Delivery & Lifecycle Information:

[HARTING:](#)

[09693015133](#) [09693017133](#)