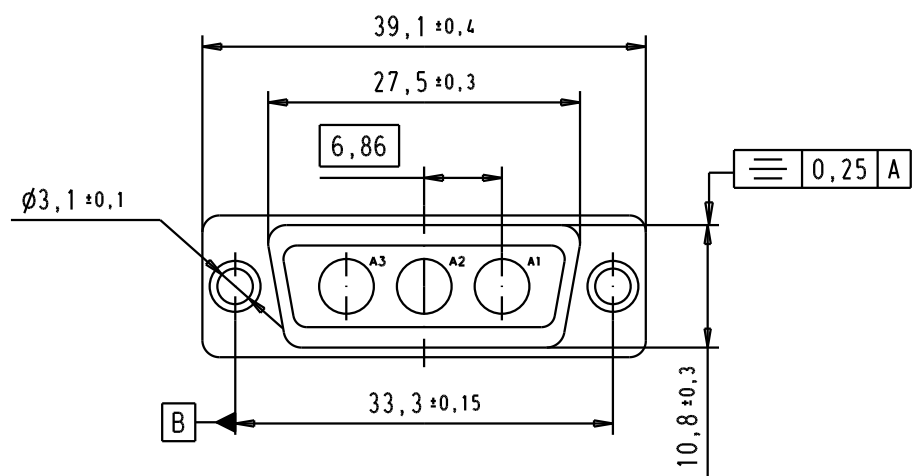
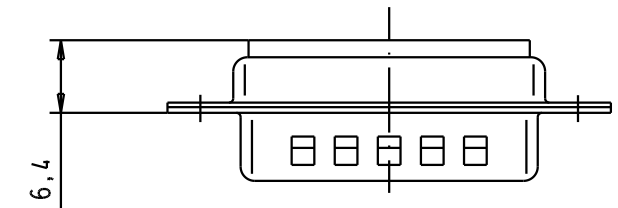
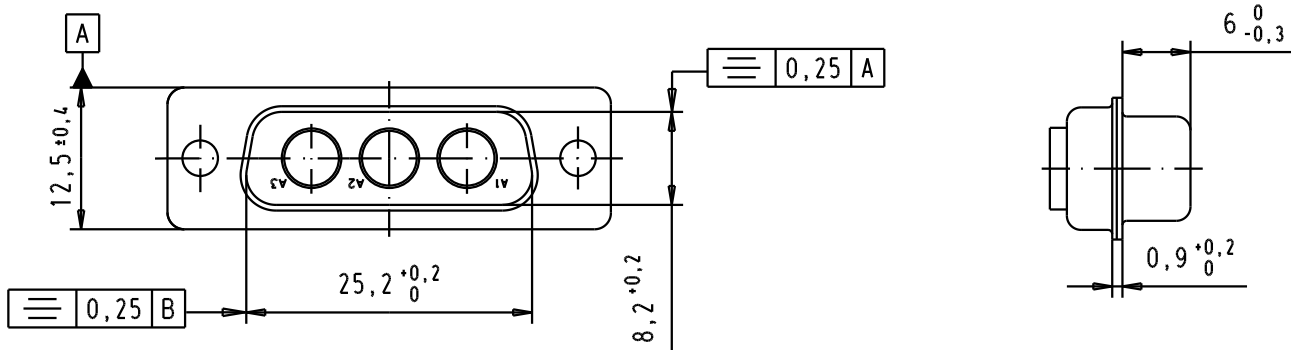


5 4 3 2 1

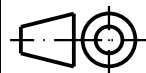



D

C

B

A

09 69 210 0033.500	Non magnetic				Detail.	Dat.	Name	 All Dim. in mm Orig. Size DIN A 4	D-Sub, male, 3W3 without contacts, with tin plated shell and dimples.	Maßstab/ Scale 1,5:1
					Insp.					
		32119	23/06/04	AC	Stand.					
		31519	03/07/03	TCP						
09 69 210 0033		29742	12/11/01	AF	HARTING EURL F-95972 Paris			TB 09 69 210 0033	Blatt / Page 1 / 1	
Part number		Mod.	Dat.	Name			Sub.			

Mouser Electronics

Authorized Distributor

Click to View Pricing, Inventory, Delivery & Lifecycle Information:

[HARTING:](#)

[09692100033](#)