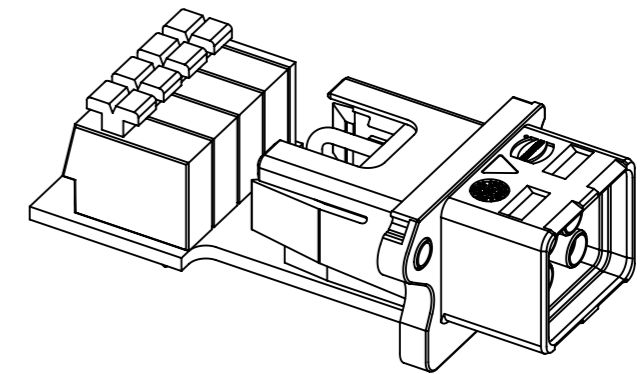
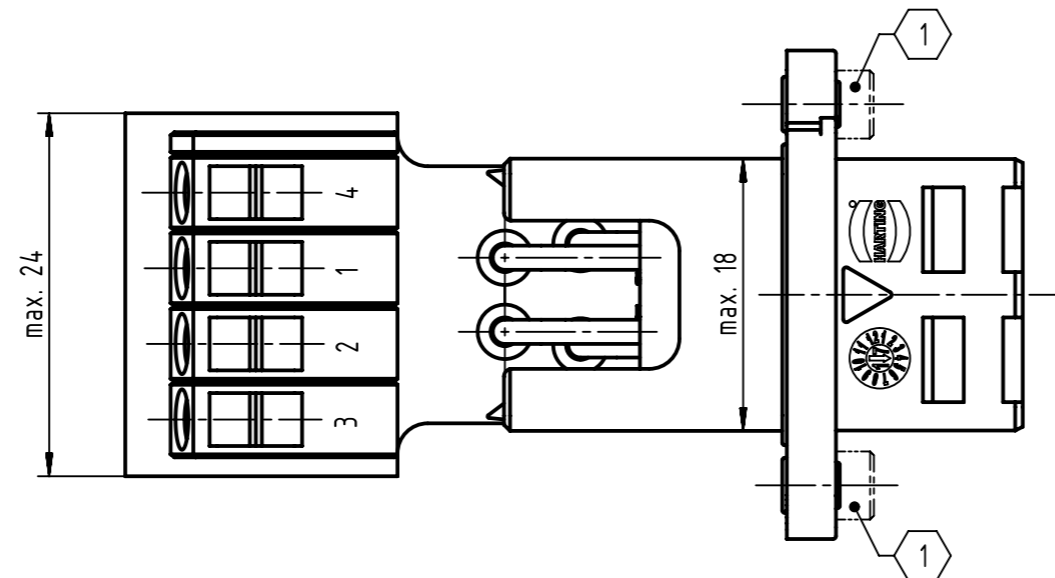


connector pitch on panel:
axis X = 27mm and axis Y = 21mm 2

panel thickness = max. 5.5mm



2 connector pitch with coding clip 0945840002X Y = 23mm

1 2x M2.5; screws acc. to ISO 4762;
please order separately; bolting torque 0.3Nm - 0.5Nm

further information see: DS 09466100700

	All Dimensions in mm Original Size DIN A3	Scale 2:1	Free size tol.	Ref.	
				Sub.	
	All rights reserved Department EC PD - DE	Created by ELLERMANN	Inspected by ZWHR	Standardisation KOHLE	Date 2018-05-30
					State Final Release
HARTING Electronics GmbH D-32339 Espelkamp	Title HARTING PushPull V4 Compact Housing 48V/12A				Doc-Key / ECM-Nr. 100671827/UGD/000/C 500000135700
	Type TB	Number 09462454021			Rev. C
				Page 1/1	