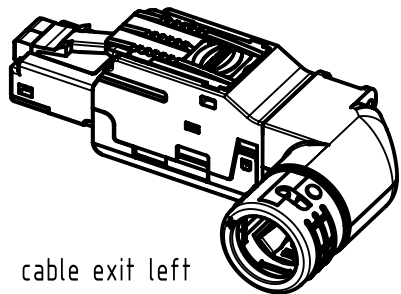
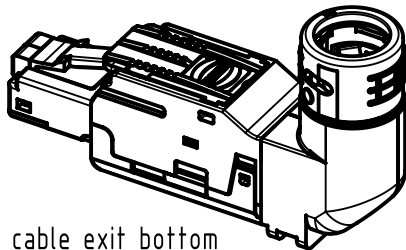


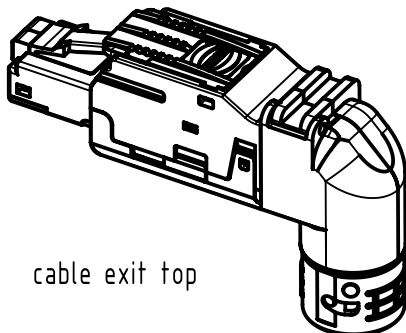
cable exit right



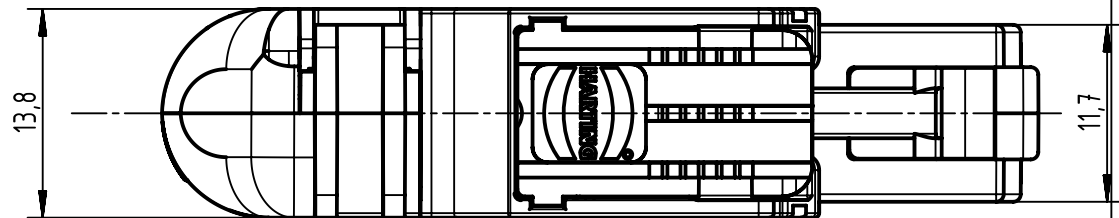
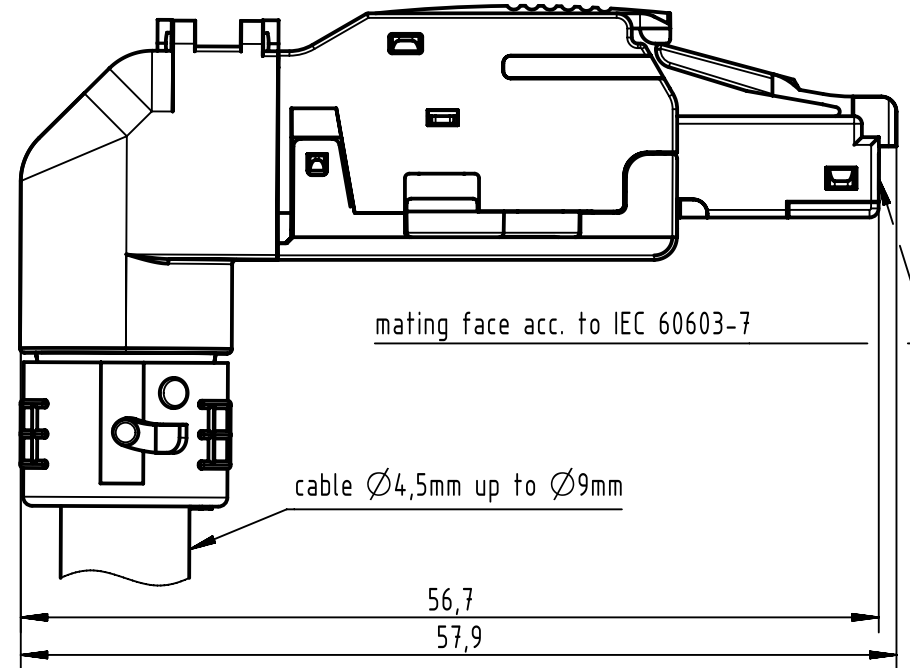
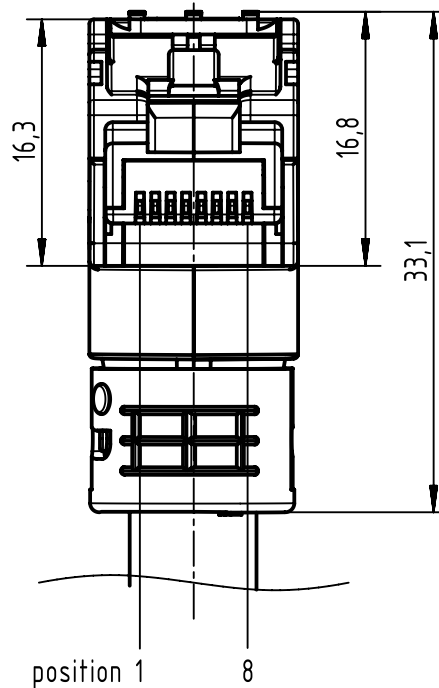
cable exit left



cable exit bottom



cable exit top



data contact plating: Au 1,27µm(50pin) over nickel

	All rights reserved Department EL PD HARTING Electronics GmbH D-32339 Espelkamp	All Dimensions in mm Original Size DIN A4		Scale 2:1	Free size tol.	Ref. Sub.
		Created by FARCASIU	Inspected by PRIESTER	Standardisation HOFFMANN	Date 2019-12-18	State Final Release
Title RJ1 MF RJ45 plug Cat6A, 8p IDC angled					Doc-Key / ECM-Nr. 100820387/UGD/000/D 500000161631	
Type TB			Number 09451511571		Rev. D	Page 1/1