

5

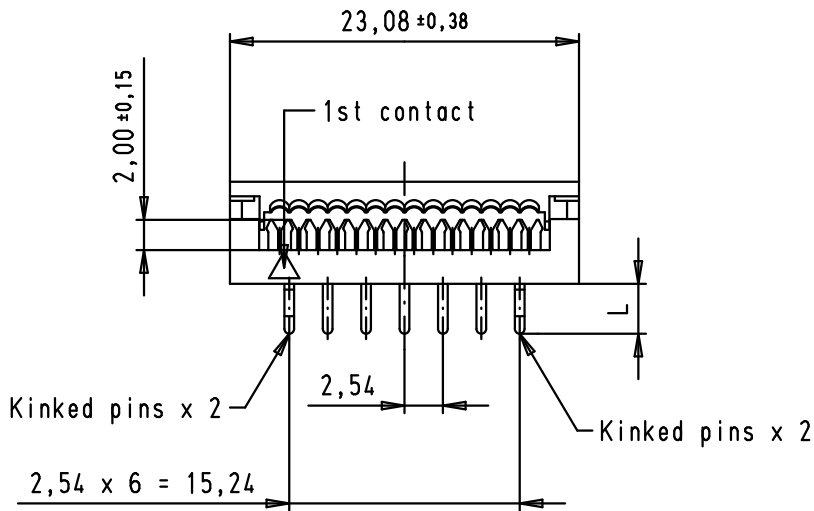
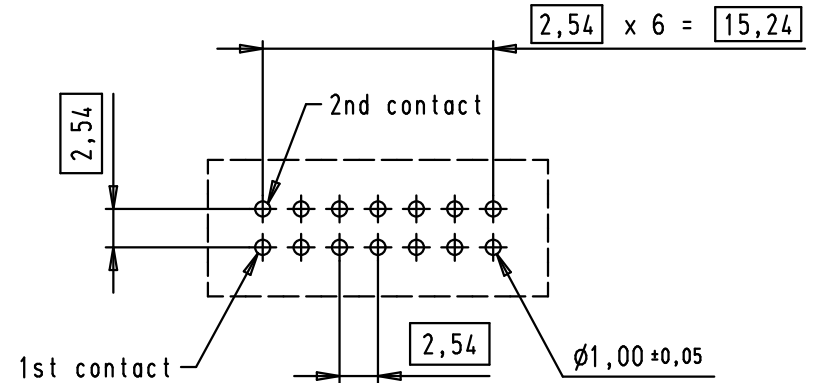
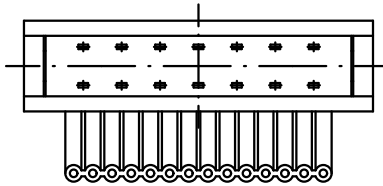
4

3

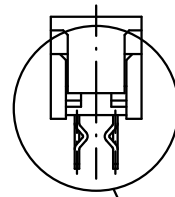
2

1

PCB layout, component side

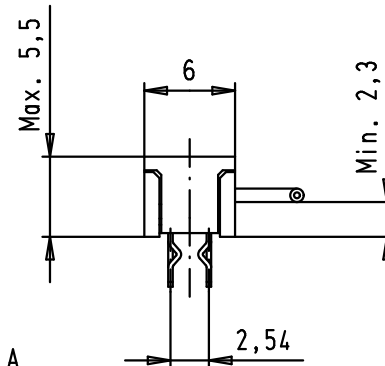


PRE-ASSEMBLED

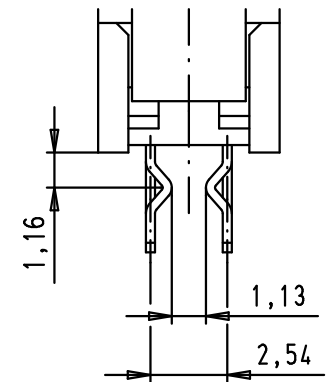


See detail A

ASSEMBLED

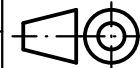


Detail A (scale: 4:1)



Max. insertion force = 20 N
Min. retention force = 4 N

Mod.	Dat.	Name	Dat.	Name
			Detail.	15/06/06 JMDR
			Insp.	
			Stand.	
34920	30/05/08	PK		
34888	08/04/08	PK		
33479	15/06/06	JMDR		
			HARTING EURL F-95972 Paris	



All Dim. in mm
Orig. Size DIN A 4



SEK 18, low profile,
PCB transition, 14 poles,
2 rows, kinked contacts

Maßstab/
Scale

2:1

09 18 114 9422.210	3,0 ⁰ _{-0,25}	PRE-ASSEMBLED
09 18 114 9422.200	3,3 ⁰ _{-0,25}	NON ASSEMBLED
09 18 114 9422	3,3 ⁰ _{-0,25}	PRE-ASSEMBLED
Part number	L	COVER

TB 09 18 114 9422

Blatt/ Page

1 / 1

Sub.