

224W221-25-0 ✓ ACTIVE

Raychem

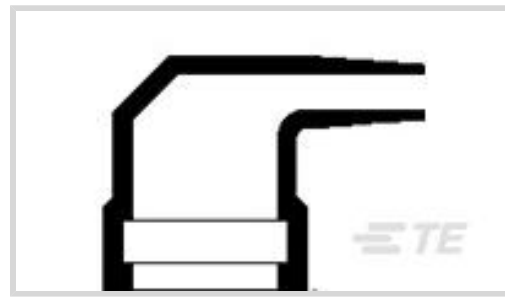
TE Internal #: 087454-000

Heat Shrink Boots, 90 °, Size 224, Lipped, 25, 25, -75 – 150 °C [-103 – 302 °F], Long-Term Fluid Exposure at High Temperatures

[View on TE.com >](#)



Wire Protection & Management > Heat Shrink Molded Shapes > Heat Shrink Boots > Heat Shrink Boots: Micro Molded, Lipped, Right Angle



Molded Part Angle: 90 °

Molded Part Shape Code: 224

Lipped: Yes

Material Code: 25

Heat Shrink Boot Material Systems Code: 25

[All Heat Shrink Boots: Micro Molded, Lipped, Right Angle \(8\)](#)

## Features

### Product Type Features

Molded Part Angle	90 °
-------------------	------

### Configuration Features

Lipped	Yes
--------	-----

### Body Features

Material Code	25
Heat Shrink Boot Material Systems Code	25
Adhesive Pre-Coat	No
Material	Fluid Resistant Modified Elastomer

### Dimensions

Inside Diameter as Supplied	11 mm[.43 in]
Cable Diameter Range	9.4 – 19 mm[9.4 – 20 in]

### Usage Conditions

Operating Temperature Range	-75 – 150 °C[-103 – 302 °F]
-----------------------------	-----------------------------

### Operation/Application

Power Cable Accessory	No
-----------------------	----

### Industry Standards

Approved Standards	VG95343 Parts 6,7,8 and 9
--------------------	---------------------------

Government Qualified	No
----------------------	----

### Other

Molded Part Shape Code	224
Fluid & Chemical Resistance	Long-Term Fluid Exposure at High Temperatures
Adhesive Type	Adhesive Purchased Separately

## Product Compliance

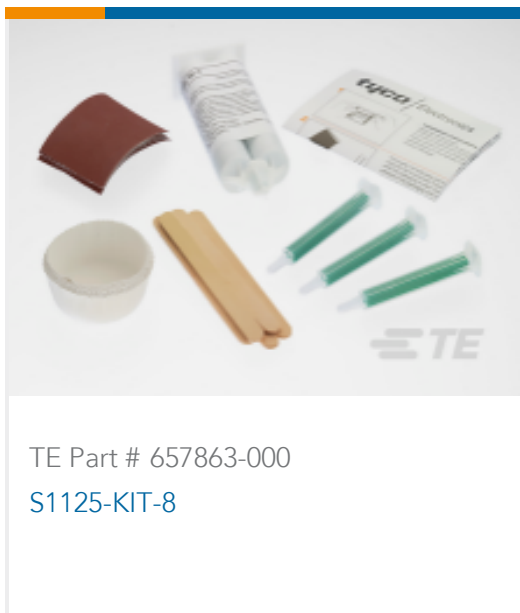
[For compliance documentation, visit the product page on TE.com>](#)

EU RoHS Directive 2011/65/EU	Compliant
EU ELV Directive 2000/53/EC	Compliant
China RoHS 2 Directive MIIT Order No 32, 2016	No Restricted Materials Above Threshold
EU REACH Regulation (EC) No. 1907/2006	Current ECHA Candidate List: JAN 2022 (223) Candidate List Declared Against: JAN 2022 (223) Does not contain REACH SVHC
Halogen Content	Not Low Halogen - contains Br or Cl > 900 ppm.
Solder Process Capability	Not applicable for solder process capability

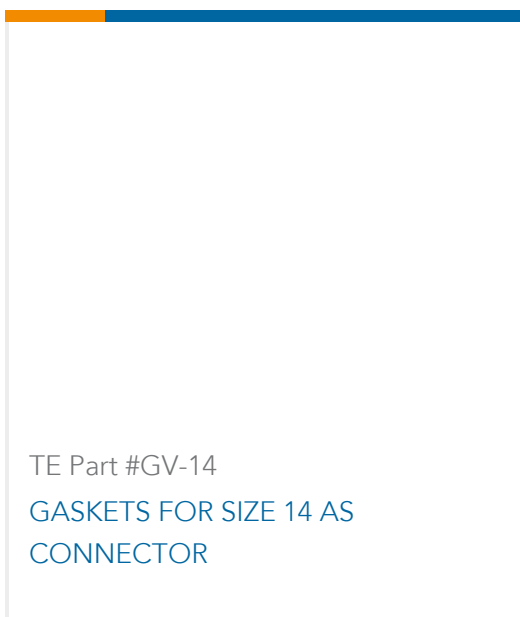
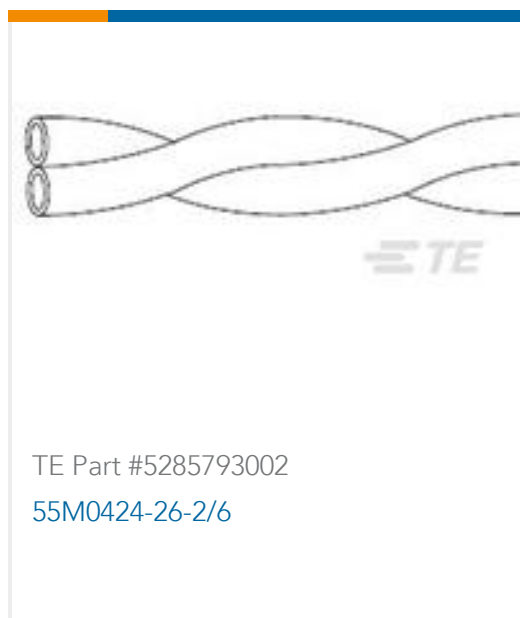
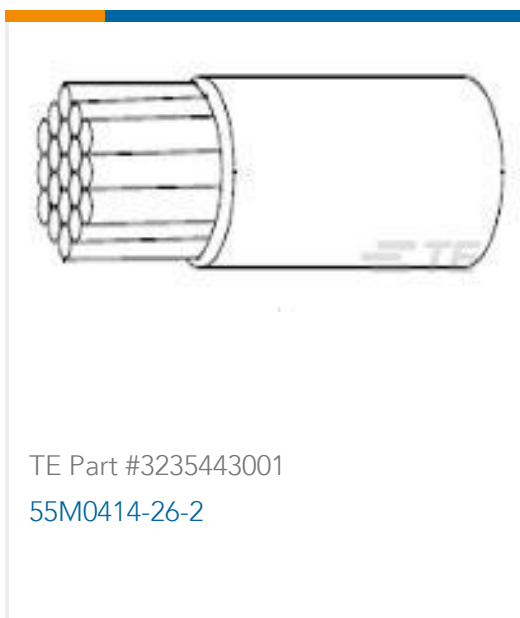
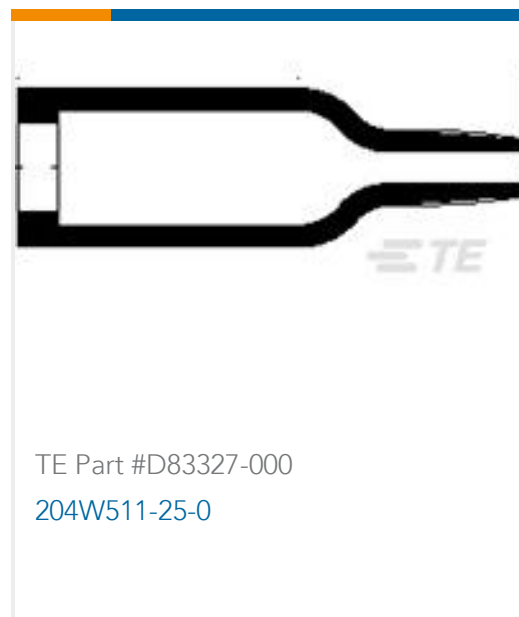
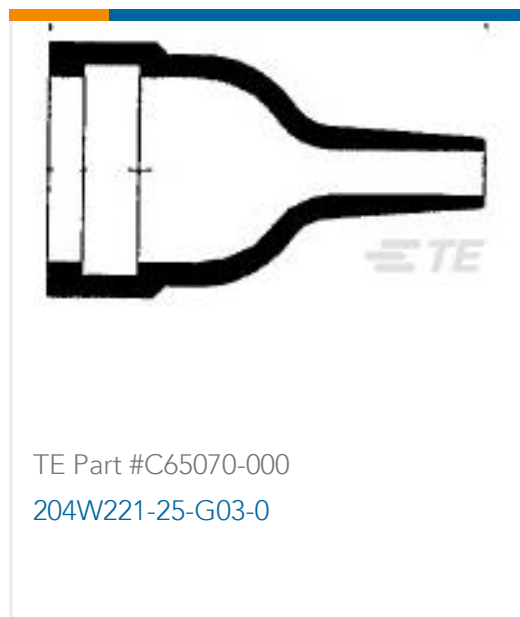
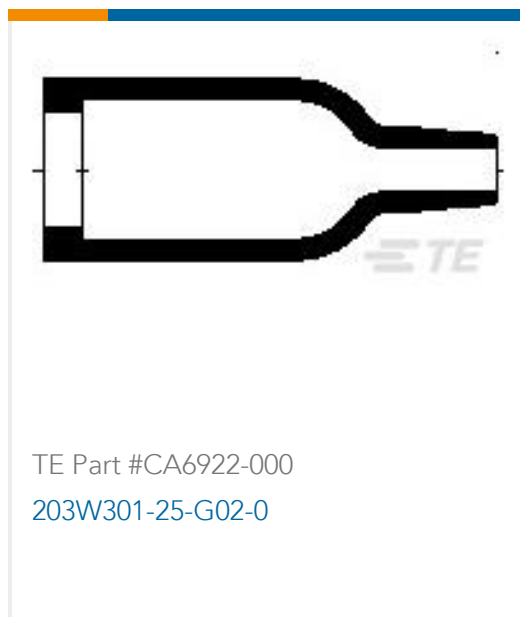
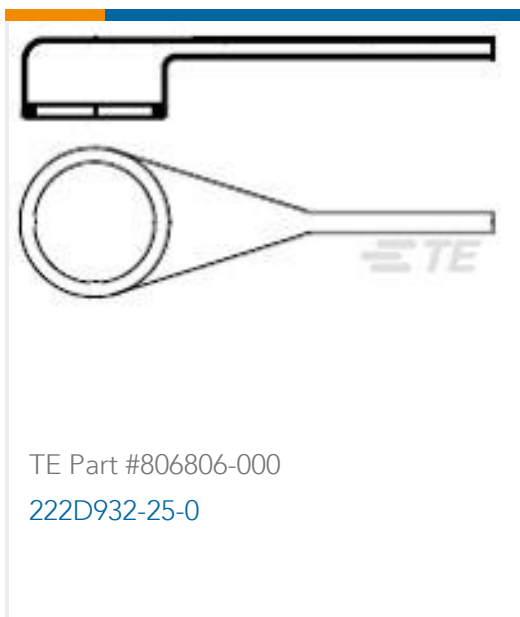
#### Product Compliance Disclaimer

This information is provided based on reasonable inquiry of our suppliers and represents our current actual knowledge based on the information they provided. This information is subject to change. The part numbers that TE has identified as EU RoHS compliant have a maximum concentration of 0.1% by weight in homogenous materials for lead, hexavalent chromium, mercury, PBB, PBDE, DBP, BBP, DEHP, DIBP, and 0.01% for cadmium, or qualify for an exemption to these limits as defined in the Annexes of Directive 2011/65/EU (RoHS2). Finished electrical and electronic equipment products will be CE marked as required by Directive 2011/65/EU. Components may not be CE marked. Additionally, the part numbers that TE has identified as EU ELV compliant have a maximum concentration of 0.1% by weight in homogenous materials for lead, hexavalent chromium, and mercury, and 0.01% for cadmium, or qualify for an exemption to these limits as defined in the Annexes of Directive 2000/53/EC (ELV). Regarding the REACH Regulation, the information TE provides on SVHC in articles for this part number is based on the latest European Chemicals Agency (ECHA) 'Guidance on requirements for substances in articles' posted at this URL: <https://echa.europa.eu/guidance-documents/guidance-on-reach>

## Compatible Parts



### Customers Also Bought



### Documents

#### Product Drawings

[224W221-25-0](#)

English

#### Datasheets & Catalog Pages

[1654025\\_Sec4\\_-25](#)

English

#### Raychem Molded Parts Visual Guide

English



---

**Product Environmental Compliance**

[Safety Datasheet](#)

[Safety Datasheet](#)

[Safety Datasheet](#)

English

[Safety Datasheet](#)

French

[Safety Datasheet](#)

German

[Safety Datasheet](#)

[Safety Datasheet](#)

[Safety Datasheet](#)

[Safety Datasheet](#)