

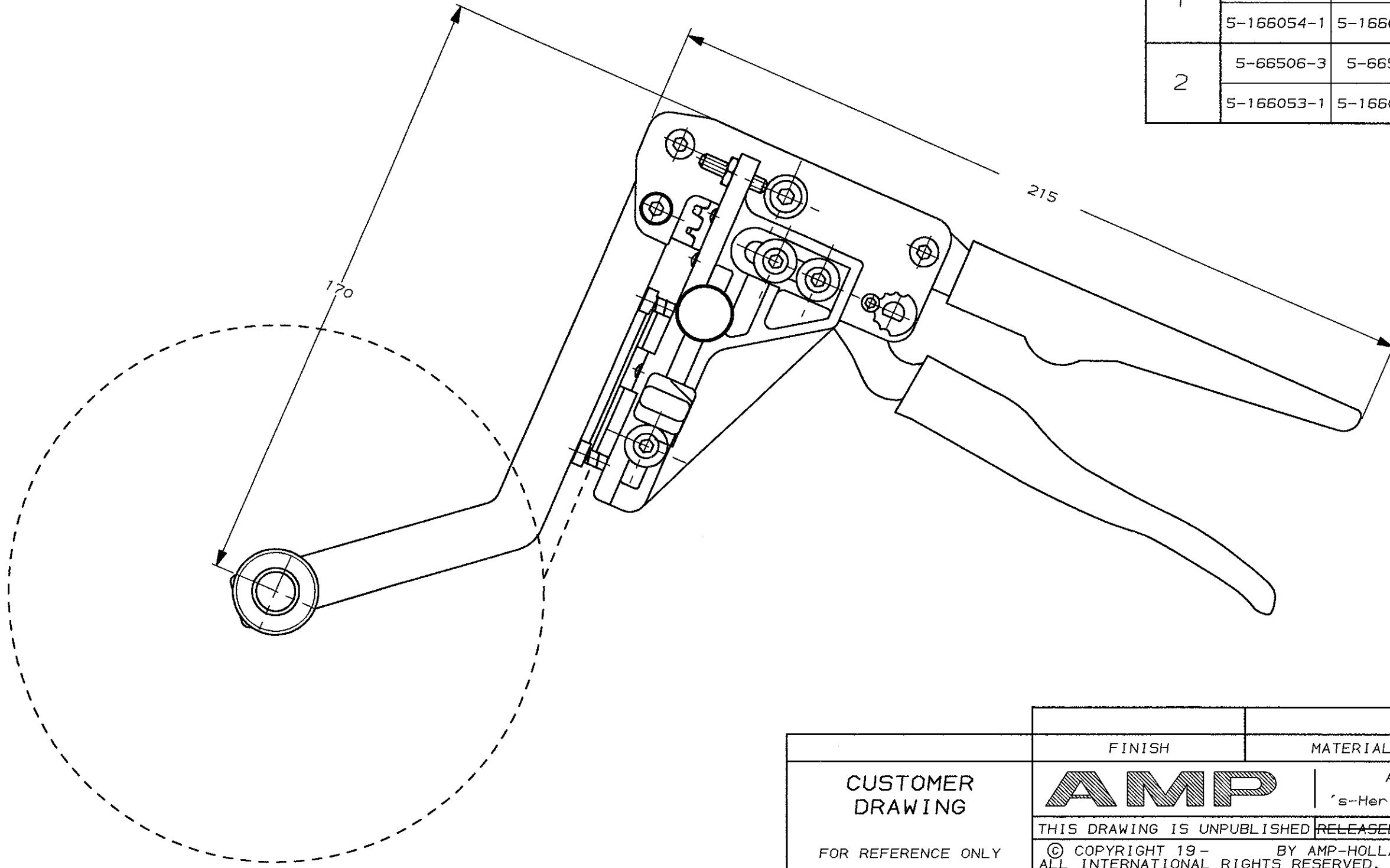
DO NOT SCALE
DIMENSIONS IN mm


METRIC

THIRD ANGLE
PROJECTION



CRIMP NEST	REEL PN		WIRE SIZE	
	PIN	SOCKET	mm ²	AWG
1	5-66507-3	5-66505-3	0,08-0,22	28-24
	5-166054-1	5-166052-1		
2	5-66506-3	5-66504-3	0,20-0,56	24-20
	5-166053-1	5-166051-1		



		FINISH		MATERIAL		PARTNUMBER	
						169424-1	
CUSTOMER DRAWING FOR REFERENCE ONLY WILL NOT BE UPDATED				AMP-HOLLAND B.V.			
				's-Hertogenbosch, The Netherlands.			
				THIS DRAWING IS UNPUBLISHED RELEASED FOR PUBLICATION			
		© COPYRIGHT 19- BY AMP-HOLLAND B.V. ALL INTERNATIONAL RIGHTS RESERVED. AMP PRODUCTS MAY BE COVERED BY U.S. AND FOREIGN PATENTS AND/OR PATENTS PENDING.					
DR. P. BEIJNON	DATE 10-3-89	WIRE RANGE -	NAME REELFED TOOL			REV. DATE D M Y	
CHK. R. VOS	DATE -	INSUL. RANGE -	FOR HD 20 CONT.			10 3 89	
APP. L. V. SOEST	DATE -	SIZE A3	SHEET OF 1	DWG. No. 169424		REV. LTR. 0	

8 | 7 | 6 | 5 | 4 | 3 | 2 | 1

F
E
D
C
B
A