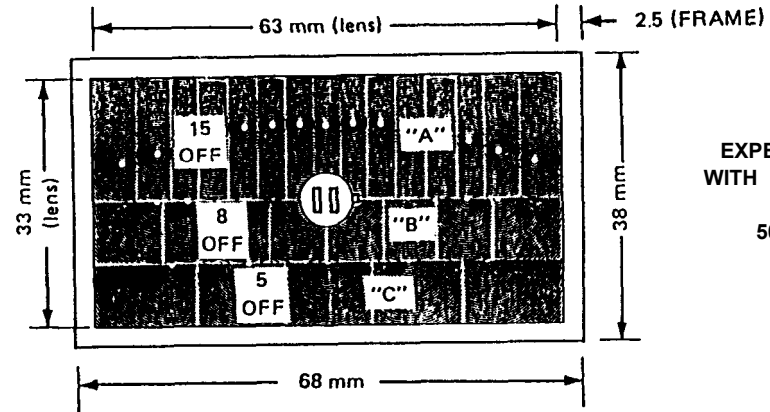
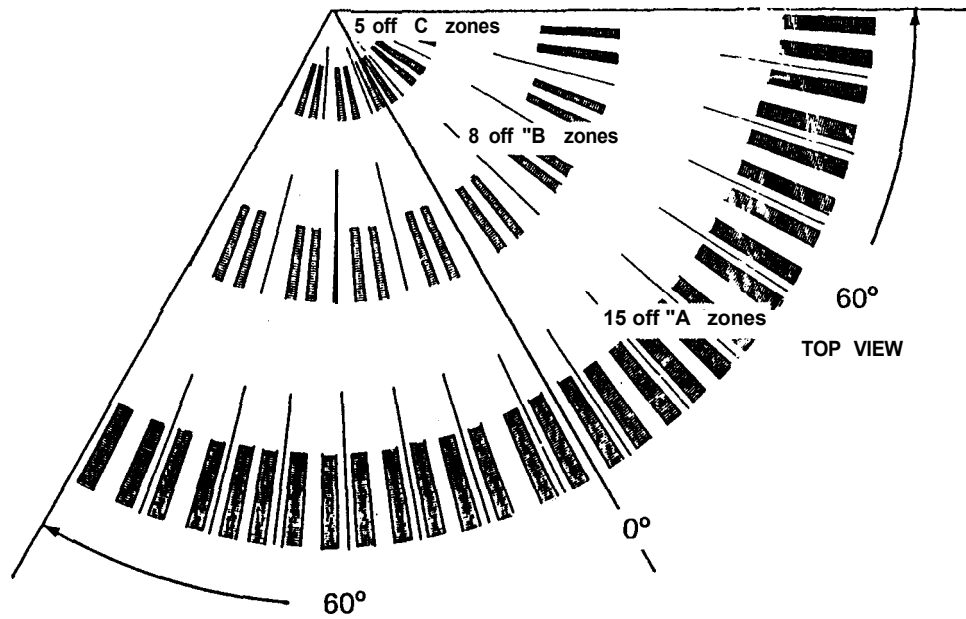


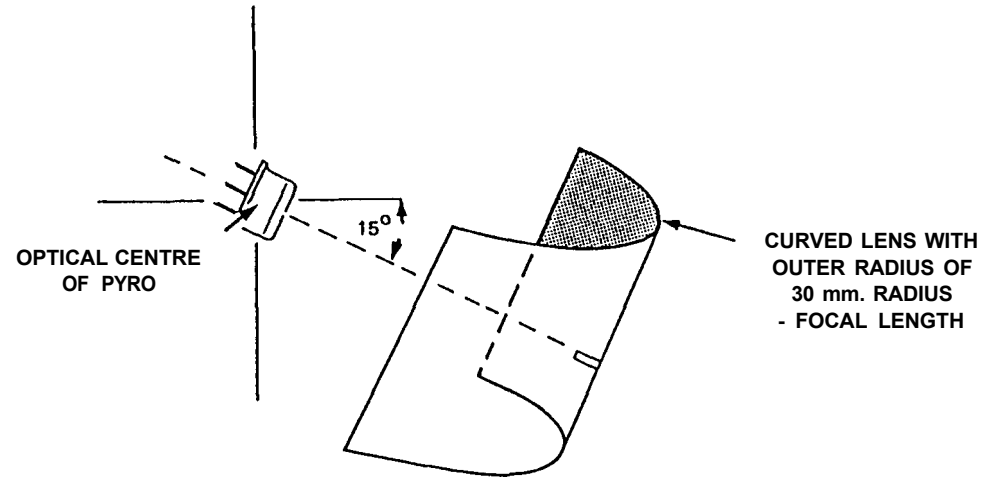
CE28N

**MULTI-SEGMENT (28)
EXTRA-WIDE ANGEL LENS
IN 3 PLANES.**

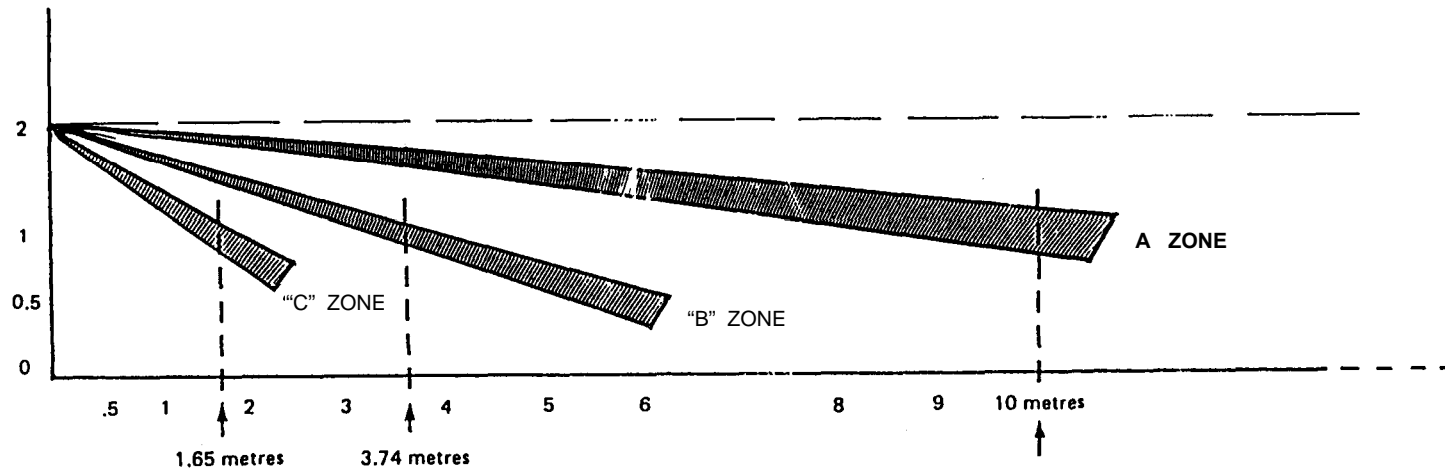
**WILL GIVE 56 DETECTION ZONES OVER 120° WHEN USED WITH A DUAL ELEMENT
PYROSENSOR HAVING MINIMUM 120° FIELD OF VIEW.**



EXPECTED SIGNAL FROM TARGET
WITH TEMPERATURE DIFFERENTIAL
OF 5°C AT 10 METRES IS
500 NANO-WATTS PK TO PK.



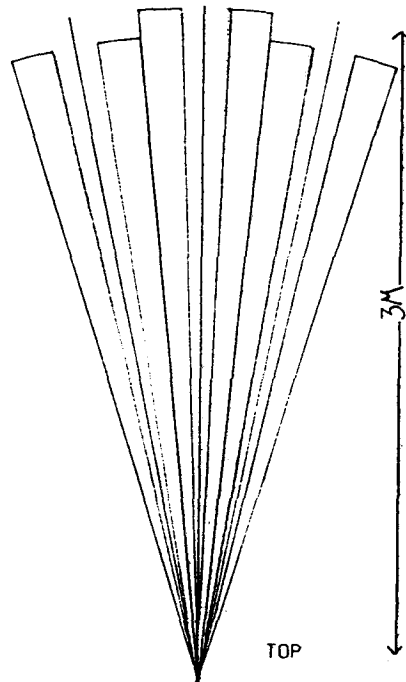
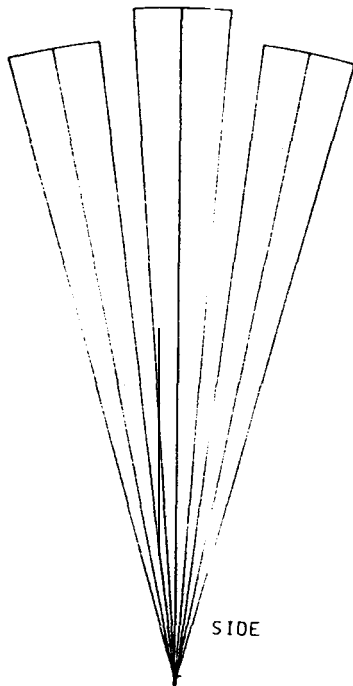
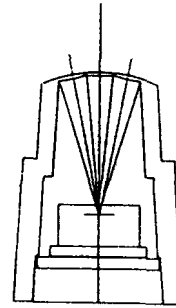
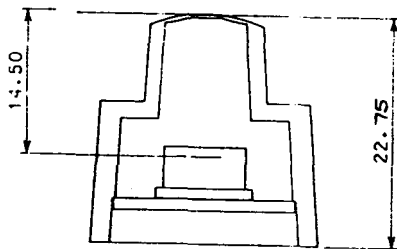
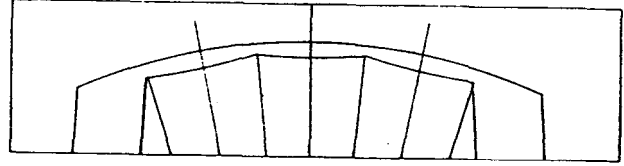
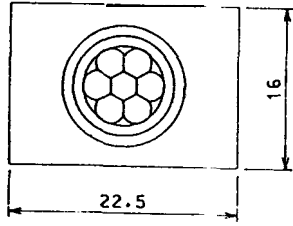
SIDE VIEW



 **NIPPON CERAMIC CO., LTD,**

COIL

9483 MINIDOME LENS

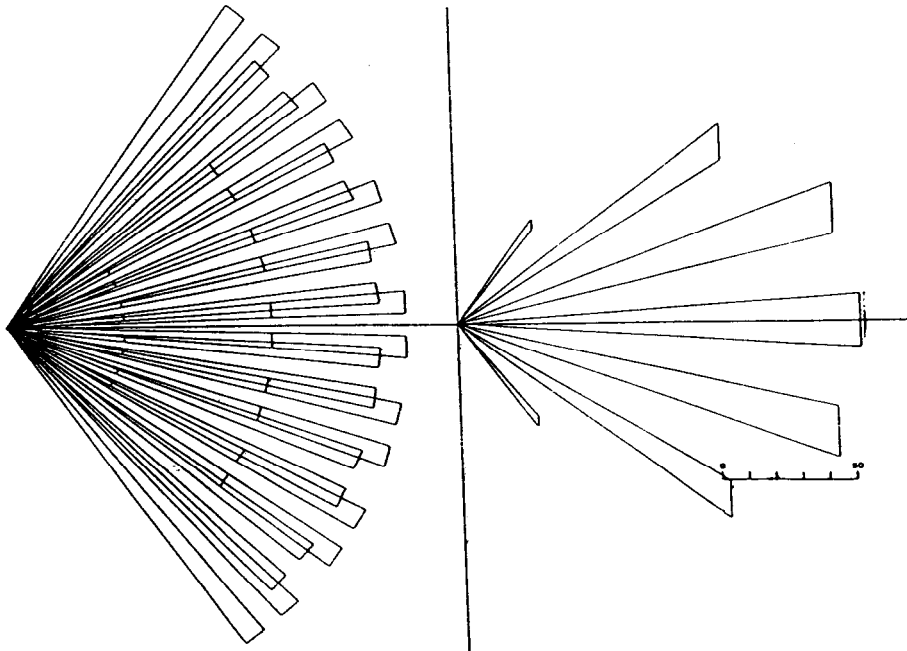
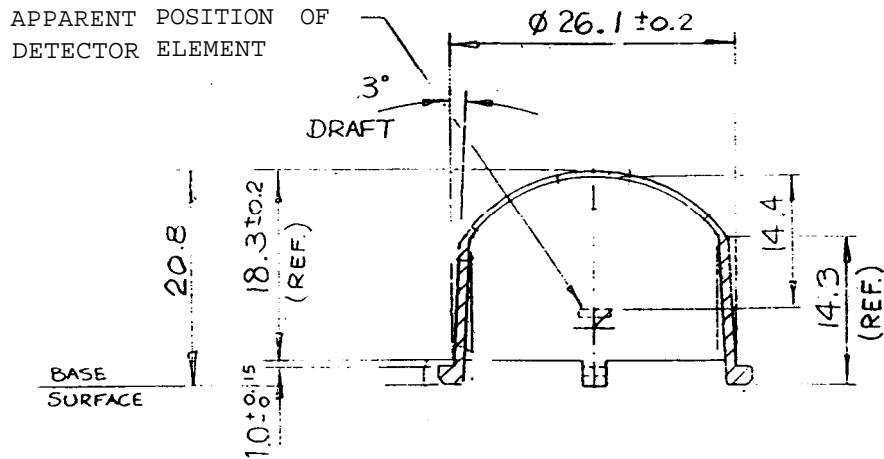
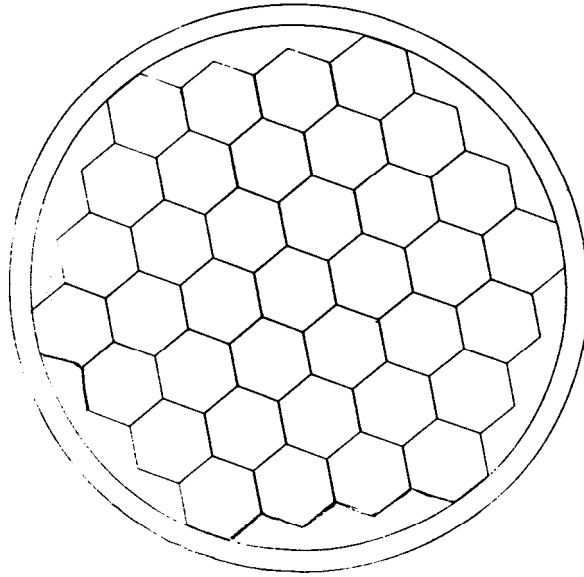


FIELDS OF VIEW

MAKES LIGHT WORK
COMBINED OPTICAL INDUSTRIES LTD.

COIL

9425 33 FACET MULTILENS



MAKES LIGHT WORK
COMBINED OPTICAL INDUSTRIES LTD.