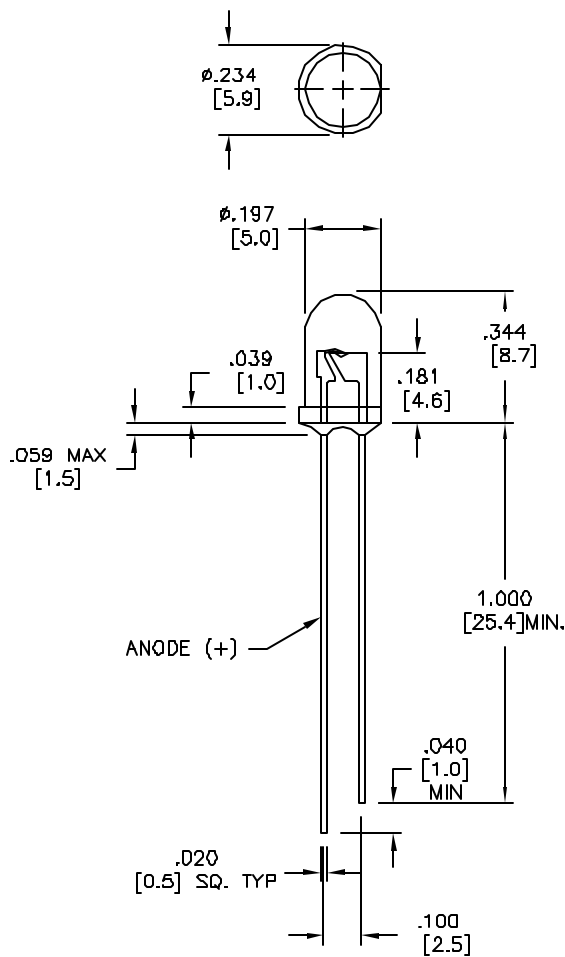


LTR	REVISION	DATE	APPD
-	RELEASED	10-01-01	
A	RVSD PER ECR 120502-RM01	12-05-02	RM
B	RVSD PER ECR 061803-PL02	06-18-03	RM



NOTES:

1. ALL DIMS ARE IN INCHES (MILLIMETERS).
2. TOLERANCE IS $\pm 0.010"$ ($\pm 0.25\text{mm}$) UNLESS OTHERWISE SPECIFIED.
3. LEAD SPACING IS MEASURED WHERE LEADS EMERGE FROM THE PACKAGE.
4. LEADS TO BE SOLDERABLE AND CAPABLE OF MEETING THE SOLDERABILITY REQUIREMENTS OF MIL-STD-202, METHOD 208.
5. MANUFACTURE DATE SHALL NOT BE OLDER THAN 26 WEEKS (6 MONTHS).

SORT	BIN NAME	COLOR CODE
L200CW6KB-12D	Y	4, 5, 6
L200CW8KB-12D	Z, ZA, ZB	4, 5, 6

LEDTRONICS PART NO.	L.E.D. RADIATION COLOR	L.E.D. APPEARANCE	ABSOLUTE MAXIMUM RATINGS (Ta=25°C)					ELECTRO-OPTICAL CHARACTERISTICS (Ta=25°C)					COORDINATES	
			Pd mW	If mA	I _f mA	V _r V	T _{opr} (°C)	I _f mA typ	I _v med min/typ	V _f =V hyp/max	VIEW ANGLE 2θ1/2	I _r max μA	X	Y
L200CW6KB-12D	CLEAR WHITE	WATER CLEAR	120	150	30	5	-40 TO +80	20	2400/3050	3.5/4.0	12±2	100	0.32	0.31
L200CW8KB-12D	CLEAR WHITE	WATER CLEAR	120	150	30	5	-40 TO +80	20	3700/7400	3.5/4.0	12	100	0.32	0.31

T_{stg}: -40°C TO +85°C
 LEAD SOLDERING TEMP: [1.6mm (.063in) FROM BODY] 260°C FOR 5 SEC.

 LEDTRONICS, INC. 23105 KASHIWA COURT TORRANCE, CA 90505	-PROPRIETARY- This document contains Proprietary Information of LEDTRONICS, INC. It may not be copied, used or disclosed for any purpose without the prior express written consent of LEDTRONICS, INC.		TITLE L200CWXKB-12D			
	DWG NO DSDC0275	SCALE 2:1	SHEET 1 OF 1	DATE 10-01-01		
	CODE IDENT NO. 8Z410	DWG BY RM	CHK BY PL 06-25-03	QA MFG	CUSTOMER	

.XXX ± .010 TOLERANCE PER ANSI-Y14.5
 .XX ± .025 (UNLESS OTHERWISE STATED)
 ANGLES ± 0°.30°
 FRACT. ± 1/32