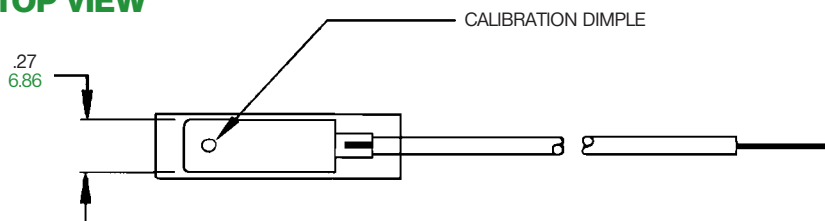


# Models C and CR

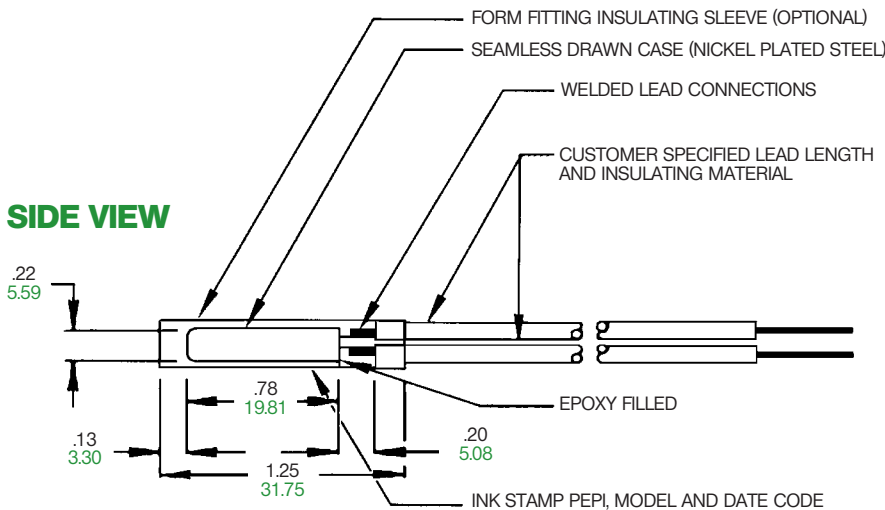


## MODELS C & CR

### TOP VIEW



### SIDE VIEW



METRIC DIMENSIONS ARE IN MM (SHOWN IN GREEN).

A creep action **thermostat/thermal protector** with **conductive bimetal construction**. **Low internal resistance and available with gold diffused contacts for use in low voltage/low current applications.**

## FEATURES

- Conductive bimetal construction; the bimetallic element carries the circuit current.
- Creep action device; slow make/slow break switching action.
- No built-in differential between the opening and closing temperature.
- Case is electrically alive; insulating sleeving is available.
- Preset calibration temperature; not adjustable in the field.
- Available with gold diffused, fine silver contacts for use in low voltage/low current applications.
- Available to open circuit on rise of temperature (normally closed), Model C; or close circuit on rise of temperature (normally open), Model CR.

## CONTACT RATINGS

- 6 amps/120 volts AC resistive
- 5 amps/120 volts AC inductive

See pages 23-27 for further details and for suggested ratings for motor protective devices.

Please consult with our Sales Engineers for suggested contact ratings when applied on DC loads.

## CALIBRATION TEMPERATURE RANGE

- Available with nominal calibration temperatures from 5°C to 200°C.

## CURRENT DERATING CURVE

