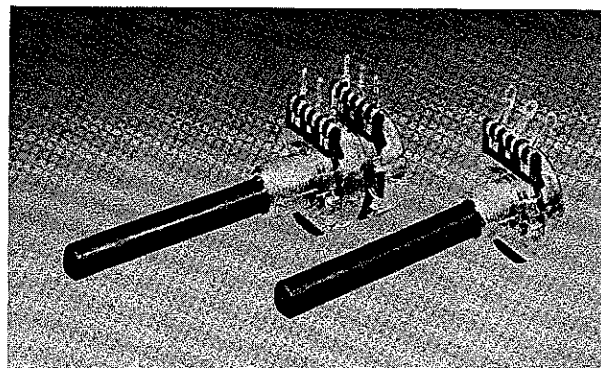


MEC CITEC

**POTENTIOMETERS
INDUCTORS, SMDs
SWITCHES, NETWORKS
ENCODERS
POWER COMPONENTS**

Spindle Operated Potentiometers **TYPE 23 SERIES**



A popular range of 20mm diameter control potentiometers, the Type 23 Series can be tailored to suit more specific requirements. The potentiometers are available with printed carbon resistance element, choice of bush lengths in metal or plastic and insulated shafts up to 50mm length.

In addition SEMCO approved mains and low current switches are available as standard options.

MEC CITEC KEY FEATURES

- VERSATILE DESIGN CAN BE CUSTOMIZED TO SUIT YOUR REQUIREMENTS
- 0.4 WATT AT 40°C
- DIE CAST METAL OR INSULATED BUSH AVAILABLE
- INSULATED SHAFTS UP TO 50MM
- EYELET OR PC TERMINATIONS
- RUGGED CONSTRUCTION
- MOUNTING BRACKET
- AUDIO LAWS AVAILABLE
- DUAL GANG AND DUAL CONCENTRIC STYLES

**M MEGGITT
ELECTRONICS**

**SALES ACTION DESK
(0793) 611666**

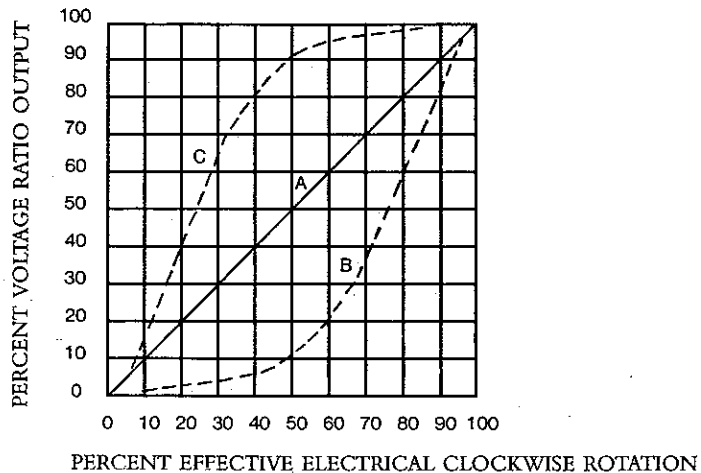
SPECIFICATION

ELECTRICAL

Resistance Range (Law):	1K to 1M (Linear) 4K7 to 470K (Non-Linear)
Resistance Values:	1, 2.2 and 4.7 per decade
Resistance Tolerance:	± 20% (± 10% by selection)
Rated Dissipation at 40°C	0.4 W (Linear), 0.2 W (Non Linear)
Limiting Element Voltage:	500 Vdc or ac RMS
Electrical Rotation:	267° NOM without switch, 232° NOM with switch
Terminal Resistance:	5 ohms, Max.
Noise (ENR)	2% Max. (Linear), 3% Max. (Non Linear)
Insulated Resistance:	4 G ohms Min.
Voltage Proof:	1000 Vac peak

RESISTANCE LAWS

- A. = Linear
- B. = Log
- C. = Inverse Log



MECHANICAL

Operating Torque:	15 mNm, Max.
Mechanical Rotation:	300° Nominal
End Stop Torque:	800 mNm Max.

ENVIRONMENTAL

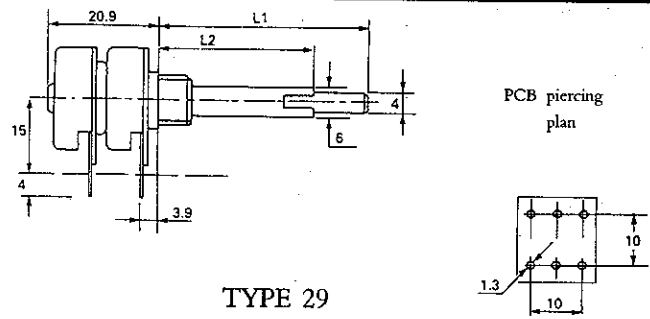
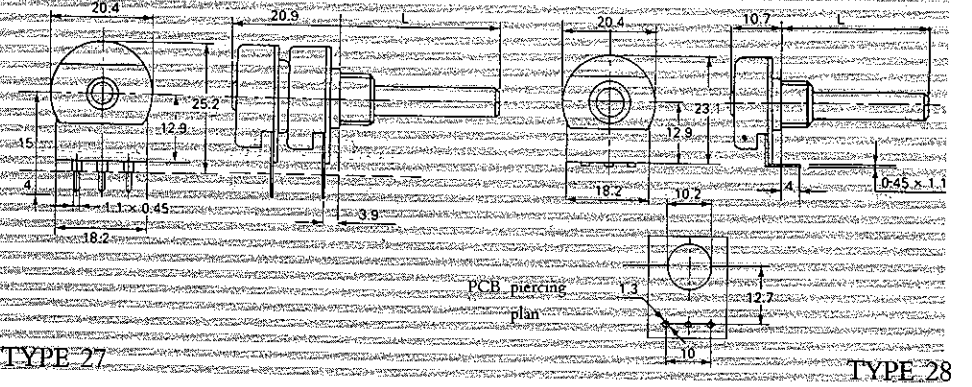
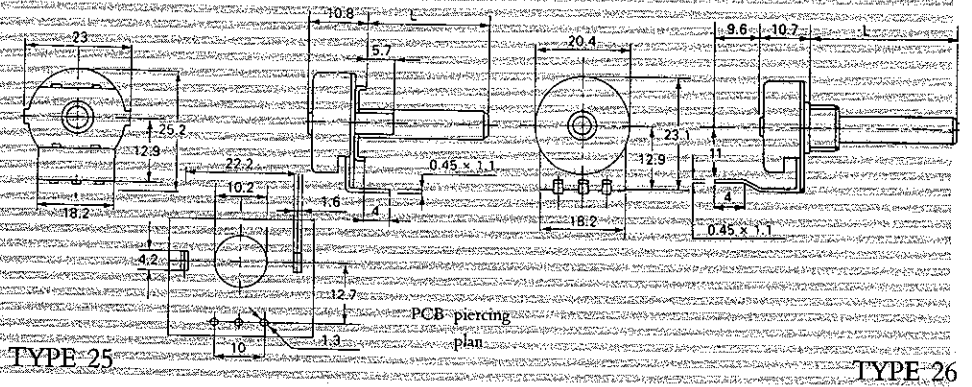
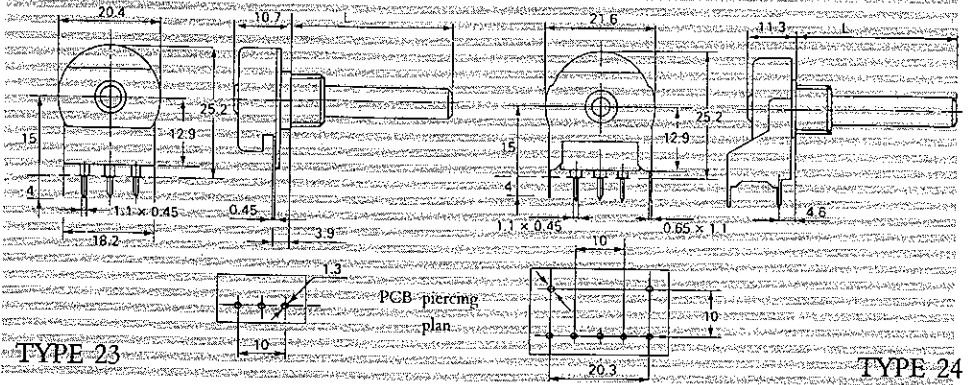
Limits of Resistance Change:	15% (After 1000 Hrs. Endurance)
Temperature Characteristics of Resistance: (20°C to 70°C)	5%
Bump Severity:	390m/s ² , 4000 Bumps
Vibration Severity:	10 - 500 Hz, 0.75mm or 98m/s ²
Climatic Category:	8 days @ 36°C 82% RH Δ R < 15%
Mechanical Endurance:	15000 Operations (Min.)

DIY DESIGN

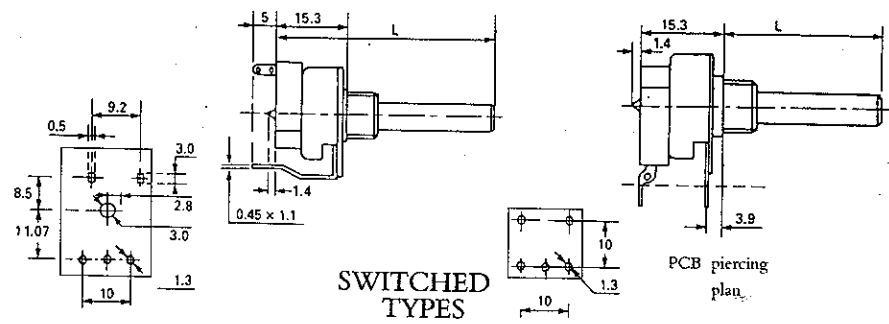
The 23 Series can be customised to suit your individual requirements with features such as detent action, track centre tap etc. Please call our technical sales team to discuss variations on these 20 mm diameter devices.

DIMENSIONS

All dimensions are nominal and in 'mm' unless otherwise stated. Do not scale.

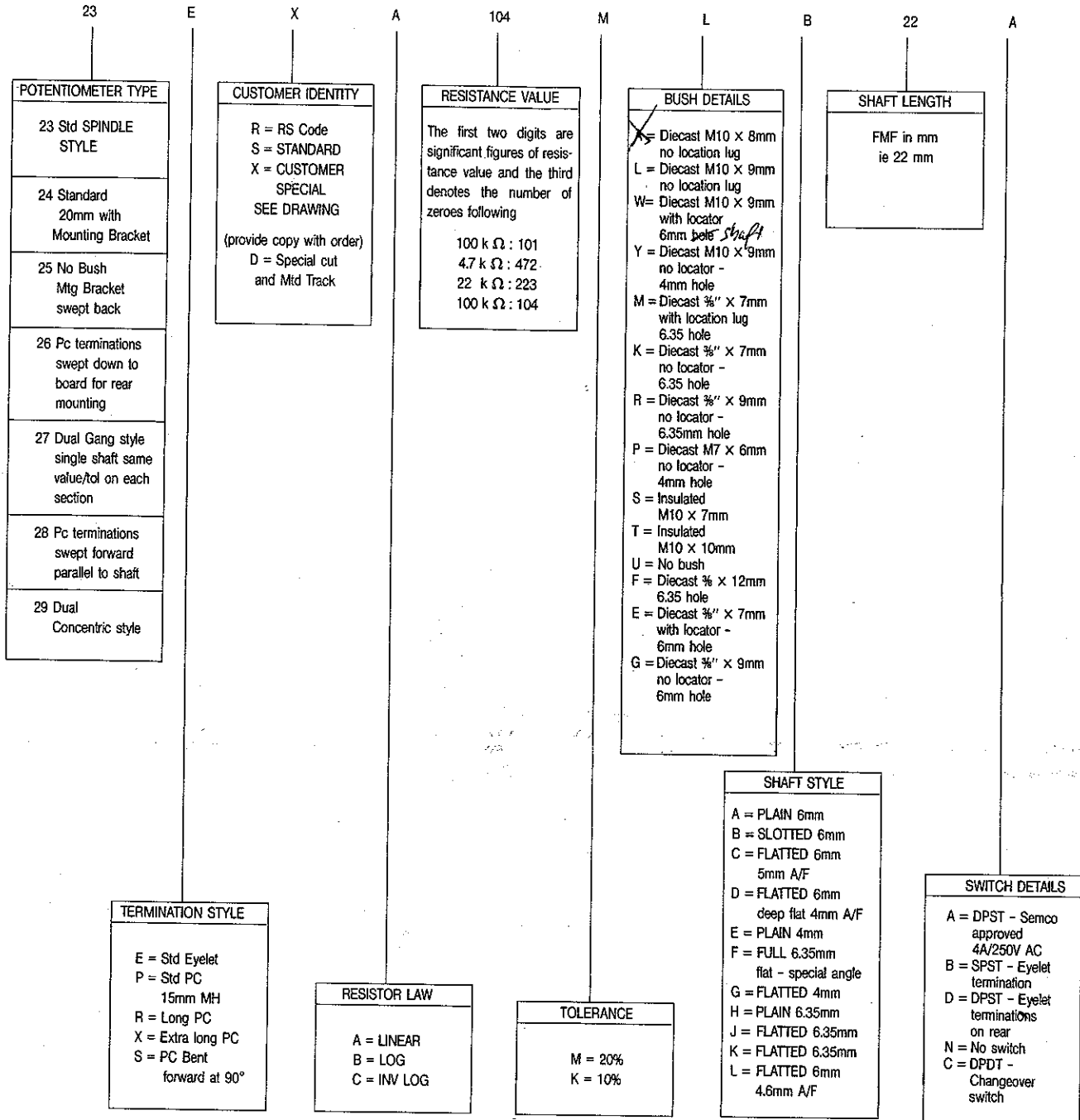


TYPE 29



SWITCHED TYPES

HOW TO ORDER - 23 SERIES POTENTIOMETER



N.B. Where a potentiometer is rear mounting then the SHAFT LENGTH is measured from the PCB to the tip of the shaft whether or not it is fitted with a mounting bush.

