

520 Series Metric OMNI-BLOK® Molded Base Fuse Block for 5x20mm Fuses



**Product Characteristics**

Compatible Fuse Sizes	5x20mm Fuses												
<b>Description</b>	The metric Omni-Blok® fuse block, for 5x20mm size fuses, is a low profile design that is available with a choice of solder type terminals, NEMA style QC terminals, or PC board mountable terminals. Each of these designs has tin plated brass terminals. A unique design feature provides self-alignment of the clips to the fuse caps. This feature, plus a one-piece clip/terminal design, assures low contact resistance. An anti-one-piece clip/terminal design, assures low contact resistance. An anti rotation feature is also available on the solder and QC terminal designs.												
<b>Electrical</b>	<table border="0"> <tr> <td></td> <td>UL/CSA</td> <td>VDE</td> </tr> <tr> <td>Solder Type</td> <td>— 10A, 600V.</td> <td>6.3A, 250V</td> </tr> <tr> <td>Q.C. Type</td> <td>— 10A, 600V.</td> <td>6.3A, 250V</td> </tr> <tr> <td>PCB Type</td> <td>— 10A, 600V.</td> <td>6.3A, 250V</td> </tr> </table>		UL/CSA	VDE	Solder Type	— 10A, 600V.	6.3A, 250V	Q.C. Type	— 10A, 600V.	6.3A, 250V	PCB Type	— 10A, 600V.	6.3A, 250V
	UL/CSA	VDE											
Solder Type	— 10A, 600V.	6.3A, 250V											
Q.C. Type	— 10A, 600V.	6.3A, 250V											
PCB Type	— 10A, 600V.	6.3A, 250V											
<b>Dielectric Strength</b>	1500V., Minimum												
<b>Clip/Terminals</b>	Tin-Plated Spring Brass												
<b>Base</b>	Glass reinforced Thermoplastic. UL 94V0 flammability rating. Gray color (GY) for anti-rotational series, black color for all others.												
<b>Ambient Temperature</b>	-40°C to +85°C												

**Agency Approval**

Agency	Agency File Number
	E14721
	7316
	97121

**Additional Information**



Datasheet



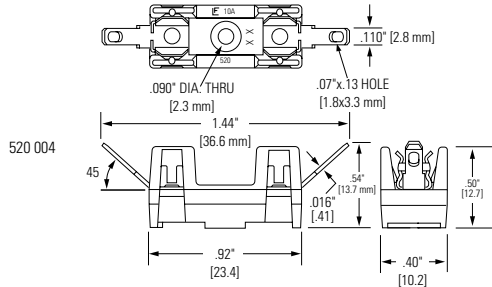
Resources



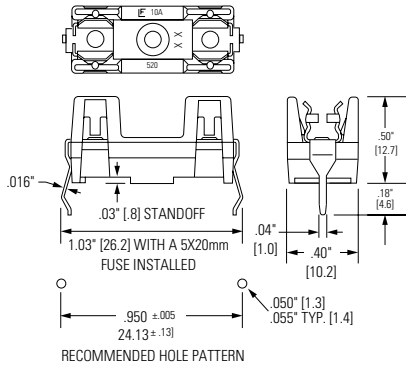
Samples

**Product Dimensions [mm]**

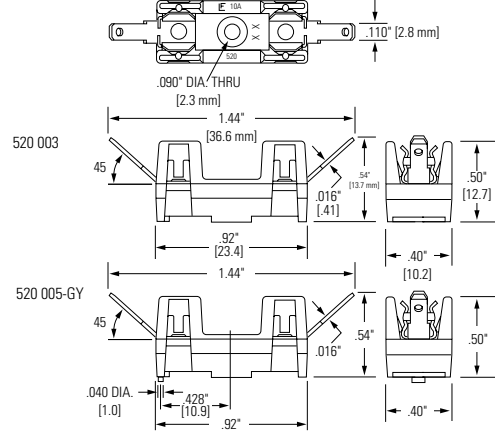
**Solder Terminals Type:**



**PC Board Mount Type:**



**Q.C. Terminals Type:**



**Ordering Information**

Ordering PN	Part Number	Clip/Terminal Material	Anti-Rotation Boss	Packing
<b>Solder Terminals Type</b>				
0520 0004 Z	520 004	Brass	No	Bulk starting at 1 piece
<b>Q.C. Terminals (NEMA Style .110") Type</b>				
0520 0003 Z	520 003	Brass	No	Bulk starting at 1 piece
0520 0005 ZXGY	520 005 GY	Brass	Yes	Bulk starting at 1 piece
<b>PC. Board Mount Type</b>				
0520 0101 Z	520 101	Brass	No	Bulk starting at 1 piece

**Disclaimer Notice** - Information furnished is believed to be accurate and reliable. However, users should independently evaluate the suitability of and test each product selected for their own applications. Littelfuse products are not designed for, and may not be used in, all applications. Read complete Disclaimer Notice at: [www.littelfuse.com/disclaimer-electronics](http://www.littelfuse.com/disclaimer-electronics).