

Campaign products



EAN:	4013288206077	Size:	188x128x128 mm
Part number:	05134210001	Weight:	395 g
Article number:	Osterei Kraffform Kompakt 20 Wera	Country of origin:	CZ
		Customs tariff number:	82079030

- The tasteful and calorie-free Easter egg from the screwdriving tool specialist Wera
- Filled with compact tools including six stainless steel bits stored in the handle with "Take it easy" tool finder
- With retractable telescopic blade and Rapidaptor universal holder for flexible use
- With sturdy bag for tool protection and easy carrying
- Advertising-free Easter egg made of solid cardboard material in a traditional design

At Easter people celebrate, give and hide gifts. For this occasion, the screwdriving tool specialist Wera now delivers a traditional and emotive idea: A tasteful and calorie-free Easter egg. It contains a tool for typical professional and household uses. The handmade Easter egg is made of strong cardboard material and will remind many people of their childhoods. It can be refilled after the removal of the tool and given away, or simply used as an Easter decoration. Therefore, the Wera Easter egg has a pleasant secondary use. A compact tool is included, that can be bolted by hand or by machine. The compact magazine handle holds six different bits; the tool requires little space, and is a practical companion for home or on the road. The long bayonet bit holder is retractable, and with the Rapidaptor technology, the bit change is lightning fast. Multi-component Kraffform handle with rollaway protection, for particularly ergonomic screwdriving. This replaces a 6-piece screwdriver set, and reduces the necessary equipment to a minimum. The retractable telescopic blade with quick-change chuck allows rapid manual override, even in confined working situations when the blade is retracted. By simply pressing the locking sleeve, the blade can be extended. The tool can now be used like a fully-fledged screwdriver. The bayonet blade can be removed and used by machine, as well as being able to be reset to the starting position. Bits and bit holders are made from vacuum-hardened stainless steel, and therefore have the hardness and strength values required for screwdriving. Industrial use is possible without restriction and unwanted extraneous rust is avoided. The bits are equipped with the „Take it easy" tool finder for easy and quick finding of required tools. With a practical belt bag in the typical Wera design for protection of the tool and for simplified transport.

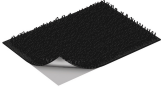
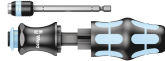




Web link

Wera - Osterei Kraffform Kompakt 20 Wera
05134210001 - 4013288206077

Wera Werkzeuge GmbH
Korzter Straße 21-25
D-42349 Wuppertal
Tel: +49 (0)2 02 / 40 45-0
E-Mail: info@wera.de

Campaign products

Set contents:

	K70 11990176	1 x 70 x 50 mm		3818/4/1 0510051003000 001	1 x 1/4 x 108 mm
	3851/1 TS PH 05071011001	1 x PH 2 x 25 mm		3855/1 TS PZ 05071020001 05071021001 05071022001	1 x PZ 1 x 25 mm 1 x PZ 2 x 25 mm 1 x PZ 3 x 25 mm
	3867/1 TS TORX@ 05071034001	1 x TX 20 x 25 mm		3800/1 TS 05071000001	1 x 0.8 x 5.5 x 25 mm

Advertising-free Easter egg



The handmade Easter egg is made of strong cardboard material and will remind many people of their childhoods.

Telescopic blade, integrated bit magazine, Rapidaptor technology



The sets in the series Kraftform Kompakt 20 are really something. A 2 position telescopic blade can be retracted into the handle for confined space operation or extended for more reach. It can also be removed and used as a 100mm bit holder in the power tool. Six bits are conveniently integrated into a push-button opening bit magazine. The Rapidaptor technology ensures rapid one hand bit changes, press-in auto bit lock and a secure positioning when used in power tools thanks to the free-turning sleeve.

Rapidaptor stainless steel



Manufactured out of stainless steel thus preventing the formation of unsightly extraneous rust when working with stainless steel. Additionally, it offers all the advantages of the Rapidaptor technology.

Stainless Steel Bits



Wera stainless steel bits are manufactured out of stainless steel so unsightly rust can be avoided. The stainless steel bits from Wera are vacuum ice-hardened and have the hardness and strength needed for screw connections. There are no limitations to the industrial applications they are suitable for.

Web link

Wera - Osterei Kraftform Kompakt 20 Wera
05134210001 - 4013288206077

Wera Werkzeuge GmbH
Korzter Straße 21-25
D-42349 Wuppertal
Tel: +49 (0)2 02 / 40 45-0
E-Mail: info@wera.de

Campaign products

"Take it easy" tool finder



"Take it easy" tool finder with colour coding according to profiles and size stamp – for simple and rapid accessing of the required tool

Chuck-all



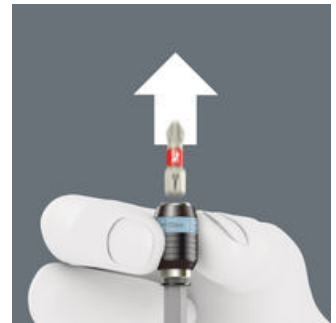
The Rapidaptor quick-release chucks hold 1/4" DIN ISO 1173-C 6,3 and E 6,3 as well as Wera series 1 and 4 bits.

Rapid-in and self-lock



The bit can be pushed into the adaptor without moving the sleeve. The lock is activated automatically as soon as the bit is applied to the screw. Bits are held securely and wobble-free.

Rapid-out



Simply push the sleeve forward to change the bit. The spring mechanism lifts the bit off the magnet and unlocks the tool. The bit can be easily removed. The rapid-out function makes it easy to remove even the smallest bits without extra tools.

Web link