

<b>EAN:</b>	4013288117632	<b>Size:</b>	75x20x18 mm
<b>Part number:</b>	05104672001	<b>Weight:</b>	55 g
<b>Article number:</b>	843	<b>Country of origin:</b>	CN
		<b>Customs tariff number:</b>	82075060

- 9 drill steps increasing by 2 mm
- For material with a maximum thickness of 4.5 mm
- With edge breaker (sheet metal deburrer) at diameter 10
- For 1 mm sheet metal
- 1/4" hexagon suitable for holders as per DIN ISO 1173-D 6.3

High quality stepped drill bit by Wera. 9 drill steps increasing by 2 mm for material with a maximum thickness of 4.5 mm. Comes with edge breaker for 1 mm sheet metal. 1/4" hexagon, suitable for holders as per DIN ISO 1173-D 6.3.

### Web link

[https://products.wera.de/en/bits\\_holders\\_adaptors\\_bit\\_sets\\_bit\\_sets\\_for\\_special\\_applications\\_843.html](https://products.wera.de/en/bits_holders_adaptors_bit_sets_bit_sets_for_special_applications_843.html)

Wera - 843

05104672001 - 4013288117632

Wera Werkzeuge GmbH

Korzter Straße 21-25

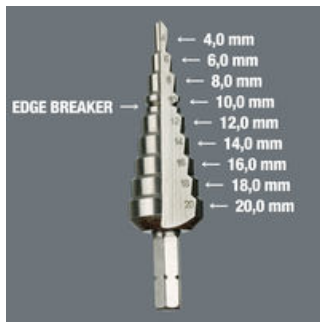
D-42349 Wuppertal

Tel: +49 (0)2 02 / 40 45-0

E-Mail: [info@wera.de](mailto:info@wera.de)

Bit Sets for Special Applications

Stepped drill bit



9 drill steps increasing by 2 mm for material with a max. thickness of 4.5 mm. With edge breaker (sheet metal countersink) at  $\varnothing$  10 for 1-mm sheet metal

Further versions in this product family:



mm

---

05104672001

75.0

Web link

[https://products.wera.de/en/bits\\_holders\\_adaptors\\_bit\\_sets\\_bit\\_sets\\_for\\_special\\_applications\\_843.html](https://products.wera.de/en/bits_holders_adaptors_bit_sets_bit_sets_for_special_applications_843.html)

Wera - 843

05104672001 - 4013288117632

Wera Werkzeuge GmbH

Korzter Straße 21-25

D-42349 Wuppertal

Tel: +49 (0)2 02 / 40 45-0

E-Mail: [info@wera.de](mailto:info@wera.de)