



EAN:	4013288162526	Size:	170x100x35 mm
Part number:	05073220001	Weight:	497 g
Article number:	Tool-Check 1 SB	Country of origin:	CZ
		Customs tariff number:	82079030

- 1/4" bit ratchet, tough-absorbing bits, Rapidaptor holder, adaptor and 1/4" sockets
- Ideal for working in confined spaces
- Tough viscous bits for universal use
- Use of 1/4" sockets also possible with the Wera adaptor 870/1
- Take it easy tool finder: colour coding according to profile and size

Ratchet, bits and sockets in a minimum of space – as compact as it gets. Comes with a practical clip for attachment e.g. to the belt so the Tool-Check is always at hand even for mobile applications. Simple operation, even with just one hand, in confined working spaces. Drop-forged, full-steel design and fine-pitched mechanism with 60 teeth that allows a small return angle of 6° for precise working. Easy left/right switchover. Ergonomically designed ratchet head and lever. Suitable for 1/4" bit and socket take-up. The use of 1/4" sockets is also possible with the Wera adaptor 870/1. Tough viscous bits for universal use. Manual and power tool socket insert (ISO 2725-Part 3) by Wera allows applications both in manual as well as power tools. "Take it easy" Tool Finder with colour coding according to size - for simple and rapid accessing of the required tool. Featuring a good grip to allow easy pick-up even with oily hands. Ball stop groove, for hex head bolts and nuts; chrome vanadium steel, matt chrome-plated.

Web link


https://products.wera.de/en/zyklop_ratchets_and_accessories_zyklop_mini_tool-check_1_sb.html

Wera - Tool-Check 1 SB
05073220001 - 4013288162526



Wera Werkzeuge GmbH
Korzter Straße 21-25
D-42349 Wuppertal
Tel: +49 (0)2 02 / 40 45-0
E-Mail: info@wera.de

Zyklop Mini



Set contents:

- 



870/1
05136000001¹⁾ 1 x 1/4" x 25 mm
1) With friction ball; for manual nut spinner sockets


- 



851/1 TZ PH
05056505001 2 x PH 1 x 25 mm
05056510001 3 x PH 2 x 25 mm
05056525001 1 x PH 3 x 25 mm


- 


867/1 TZ TORX®
05066305001 1 x TX 10 x 25 mm
05066308001 1 x TX 15 x 25 mm
05066310001 1 x TX 20 x 25 mm
05066312001 1 x TX 25 x 25 mm
05066315001 1 x TX 30 x 25 mm
05066320001 1 x TX 40 x 25 mm



- 

800/1 TZ
05056225001 1 x 1 x 5.5 x 25 mm




- 

8790 HMA
05003504001 1 x 5.5 x 23 mm
05003505001 1 x 6 x 23 mm
05003506001 1 x 7 x 23 mm
05003507001 1 x 8 x 23 mm
05003509001 1 x 10 x 23 mm
05003511001 1 x 12 x 23 mm
05003512001 1 x 13 x 23 mm





- 



889/4/1 K
05052502001 1 x 1/4" x 50 mm


- 


855/1 TH PZ
05056910001 1 x PZ 1 x 25 mm
05056915001 3 x PZ 2 x 25 mm
05056925001 1 x PZ 3 x 25 mm


- 

867/1 Z TORX® BO
05066500001 1 x TX 10 x 25 mm
05066505001 1 x TX 15 x 25 mm
05066510001 1 x TX 20 x 25 mm
05066515001 1 x TX 25 x 25 mm
05066525001 1 x TX 30 x 25 mm


- 

840/1 Z Hex-Plus
05056315001 1 x 3 x 25 mm
05056320001 1 x 4 x 25 mm
05056325001 1 x 5 x 25 mm
05056330001 1 x 6 x 25 mm
05056335001 1 x 8 x 25 mm



The Zyklop Mini Ratchets

Small return angle

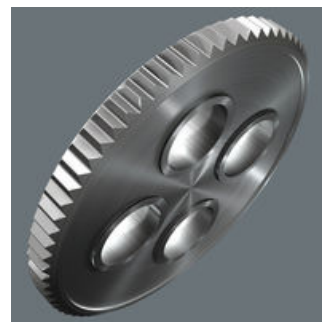
Simple direction change



Zyklop Mini



For all difficult-to-access applications.



The fine tooth mechanism, with its 60 teeth, allows a small return angle of only 6° – ideal for precision work.



Simple switching between left/right operations.

Web link

https://products.wera.de/en/zyklop_ratchets_and_accessories_zyklop_mini_tool-check_1_sb.html

Wera - Tool-Check 1 SB
05073220001 - 4013288162526

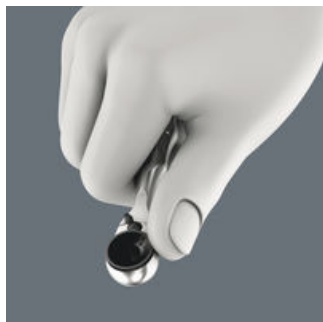
Wera Werkzeuge GmbH
Korzter Straße 21-25
D-42349 Wuppertal
Tel: +49 (0)2 02 / 40 45-0
E-Mail: info@wera.de

Tool-Check 1 SB, 38 pieces

Zyklop Mini



Rapid screwdriving



High working speeds can be attained with the Zyklop Mini 1. The thumb wheel is important, enabling more rapid screwdriving, and the Zyklop Mini handle only needs to be used for the final tightening of the screw.

Zyklop Mini tool sets



Available in a set with the dependable Wera Bit-Check with socket adaptor and belt clip. Simple fitting and removal of tools. Very robust and a long service life.

Slim design



Its slim design makes it ideal for all particularly confined working situations.

Is such a small tool sufficiently resilient?



The Zyklop Mini 1 can withstand at least 65 Nm. That is far more power than can normally be transferred to such a small tool.

Web link

https://products.wera.de/en/zyklop_ratchets_and_accessories_zyklop_mini_tool-check_1_sb.html

Wera - Tool-Check 1 SB
05073220001 - 4013288162526

Wera Werkzeuge GmbH
Korzter Straße 21-25
D-42349 Wuppertal
Tel: +49 (0)2 02 / 40 45-0
E-Mail: info@wera.de