

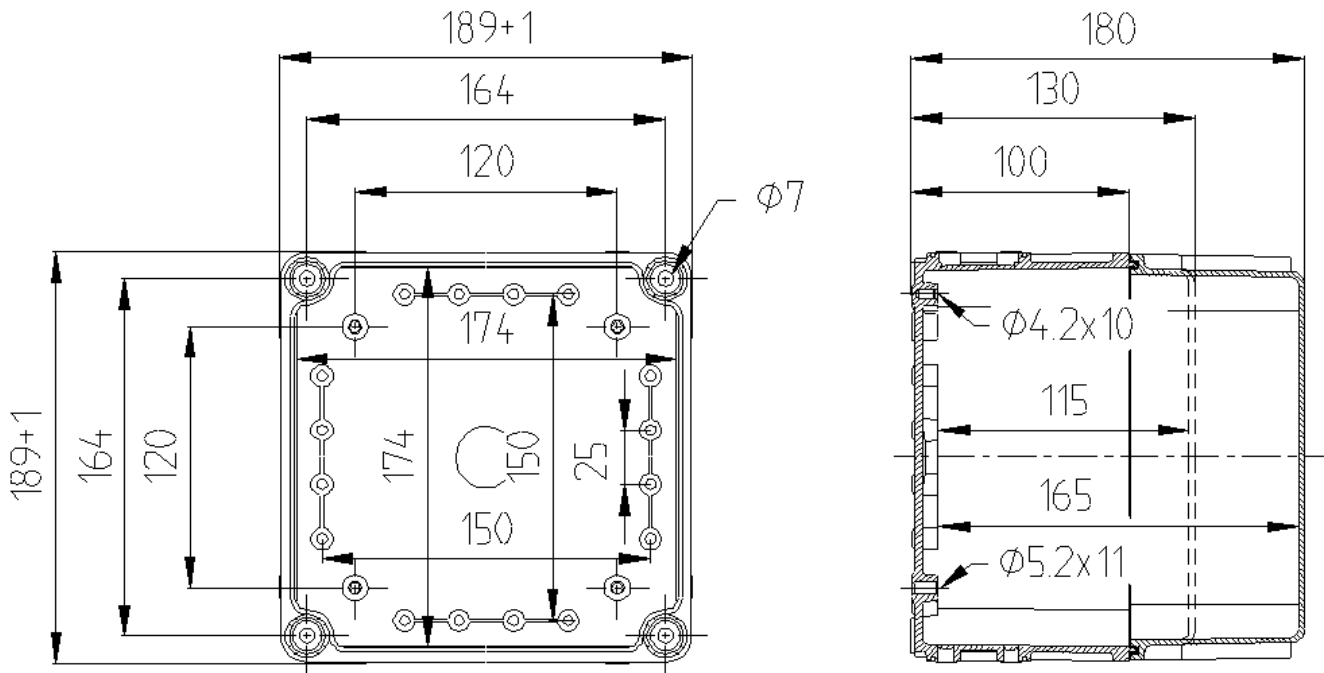
This is a sample photo.

Order symbol	EKHS 130 G	
EI. number	EAN-code	6418074013460
Sweden		
Denmark	2538007	
Finland		

Including
Enclosure body, cover, and 4 slotted cover screws.

Product Properties
USA: UL Type 1, 3, 3S, 4, 4X, 6, 6P, 12 (E75645 Vol.1 Sec.4)
EURO: IP 66/67 (EN 60529)

EK



Technical Information of Product Group

Standard colour:	RAL 7035	Temp. range-in cont. use:	Max. +80 °C
Flame resistance:	UL94-5V	Temp. range-of material:	- 40 °C - + 120 °C

Accessories