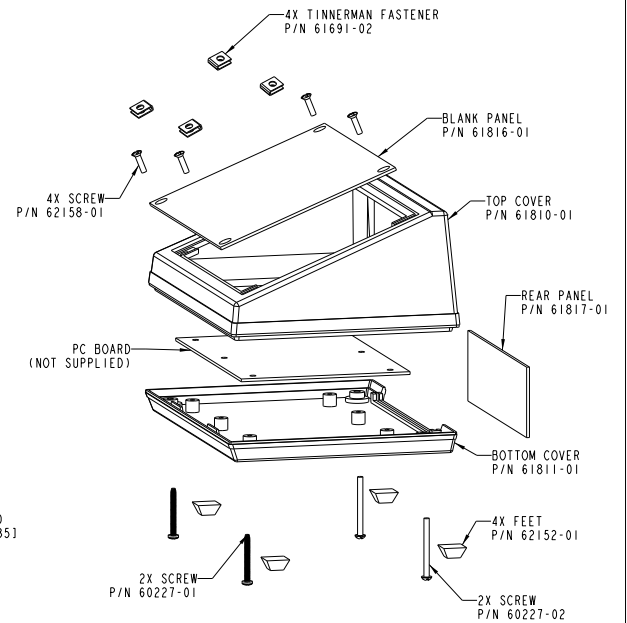
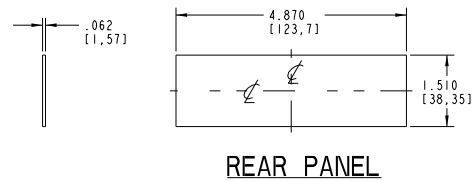
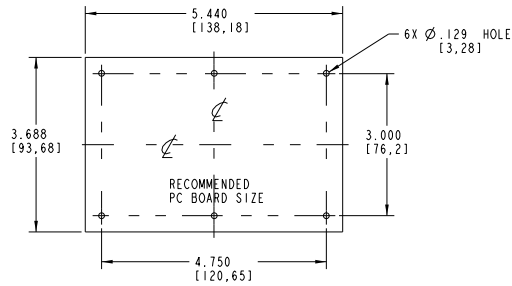
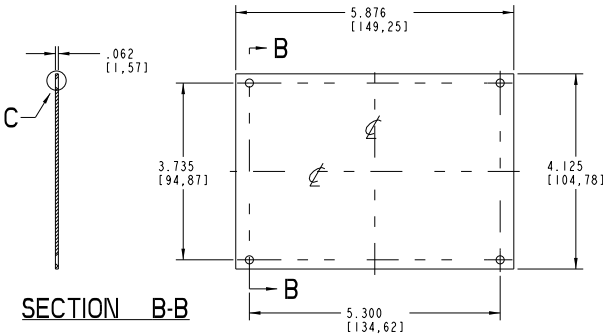


SEE DETAIL C



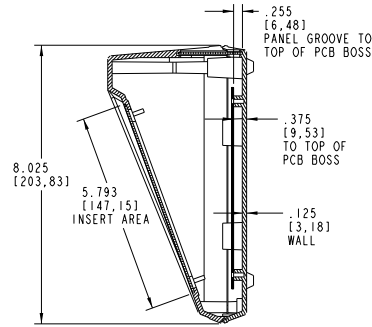
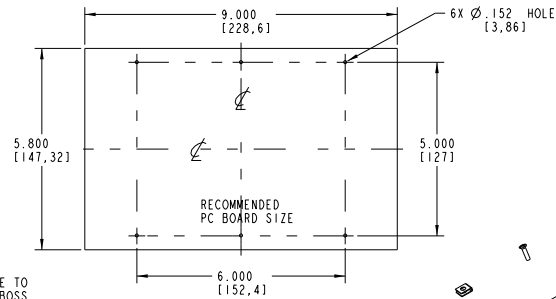
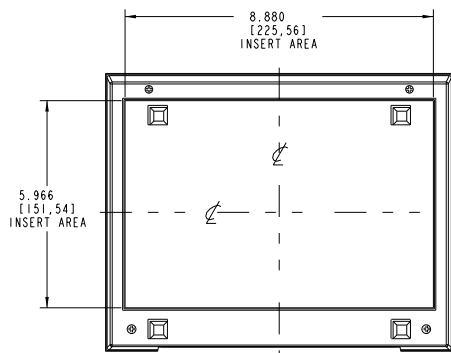
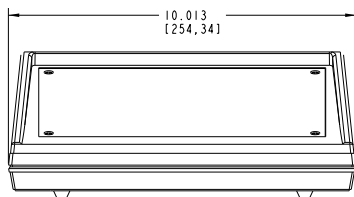
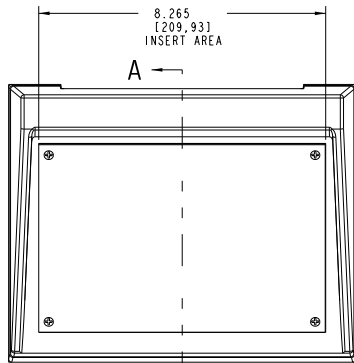
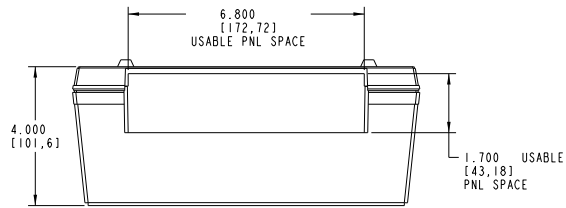
**PACINTEC®**  
1-610-361-4200

**KEU-7**

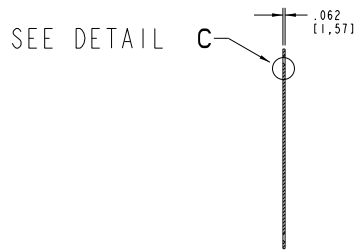
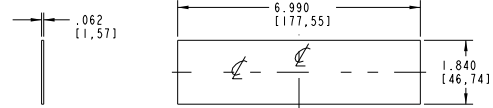
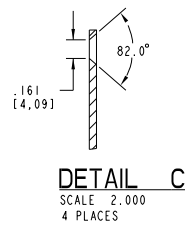
VISIT **PACINTEC®**  
ON THE WORLD WIDE WEB  
[www.pactecenclosures.com](http://www.pactecenclosures.com)

COLOR / MATERIAL CODE		
COLOR	94HB	94VO
BLACK	000	028
P. C. BONE	039	060

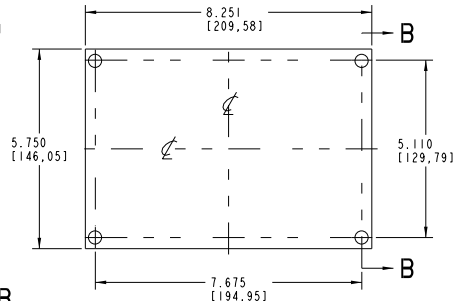
DRAWING NUMBER	REV
62843	B



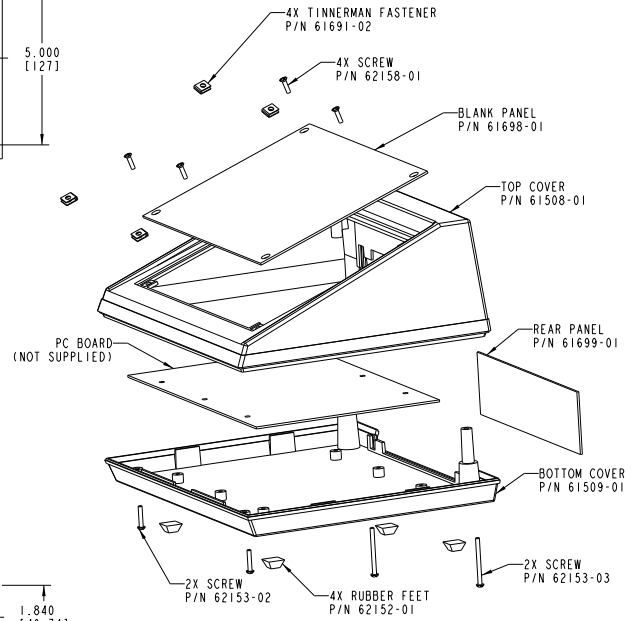
SECTION A-A



SECTION B-B



BLANK PANEL



**PACINTEC®**  
1-610-361-4200

**KEU-10**

VISIT **PACINTEC®**  
ON THE WORLD WIDE WEB  
[www.pactecenclosures.com](http://www.pactecenclosures.com)

COLOR / MATERIAL CODE		
COLOR	94HB	94VO
BLACK	000	028
P.C.BONE	039	060

DRAWING NUMBER	REV
62884	B