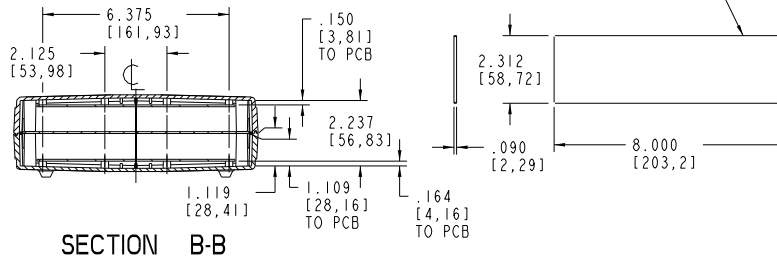
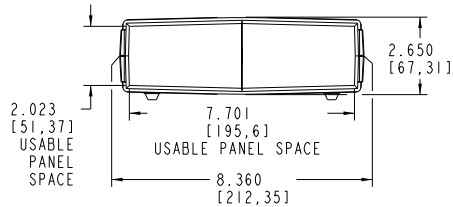
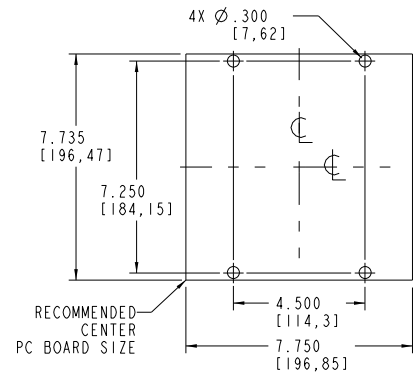
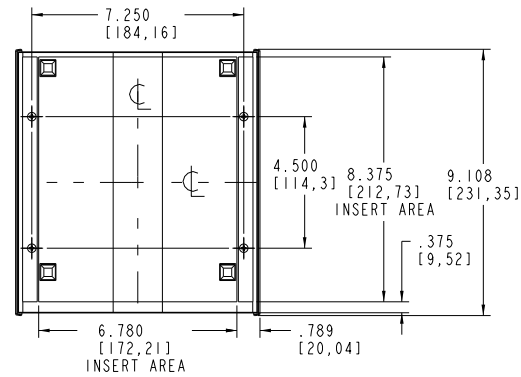
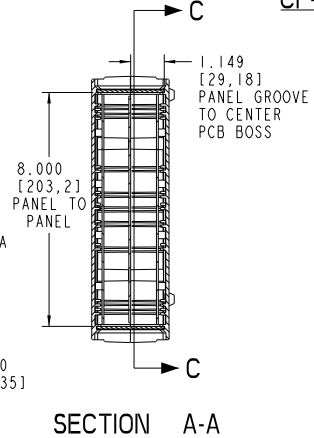
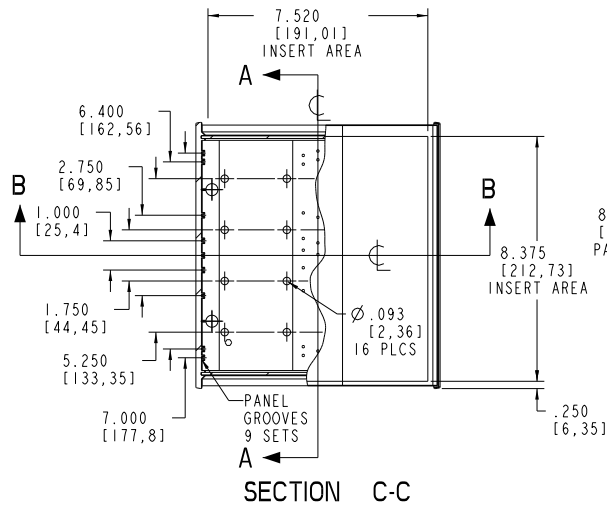


CF-225

CFB-225



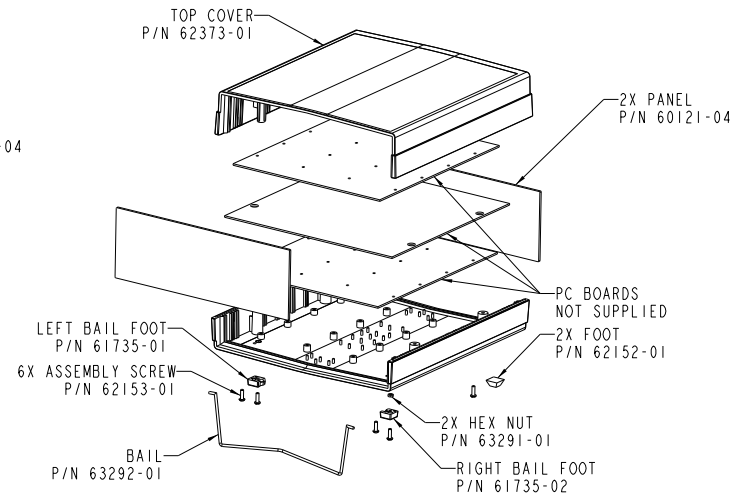
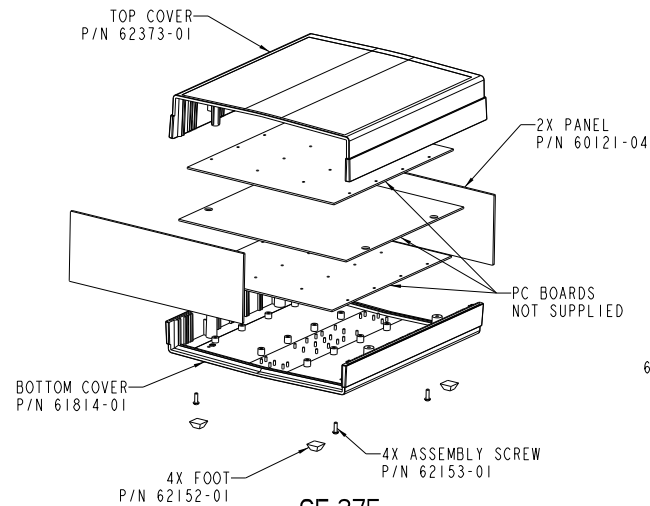
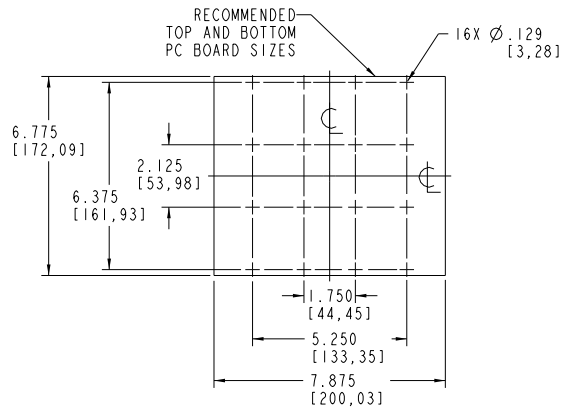
PACINTEC®
 1-610-361-4200

CF-225, CFB-225

VISIT **PACINTEC®**
 ON THE WORLD WIDE WEB
www.pactecenclosures.com

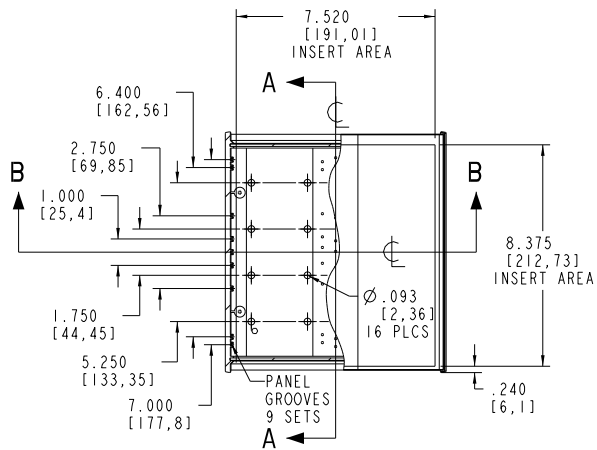
COLOR / MATERIAL CODE	
COLOR	94HB 94VO
BLACK	000 028
P.C.BONE	039 060

DRAWING NUMBER	REV
62710	B

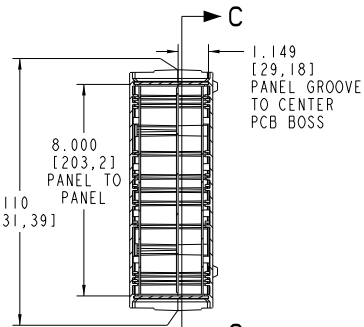


CF-275

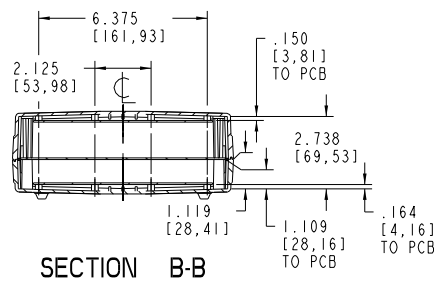
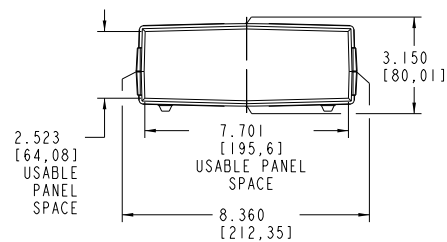
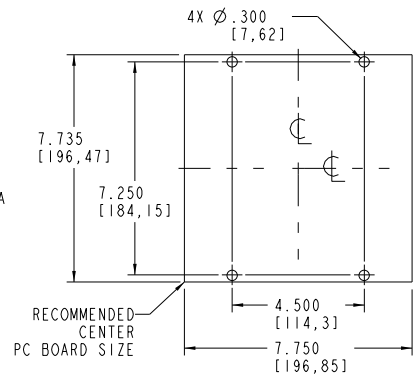
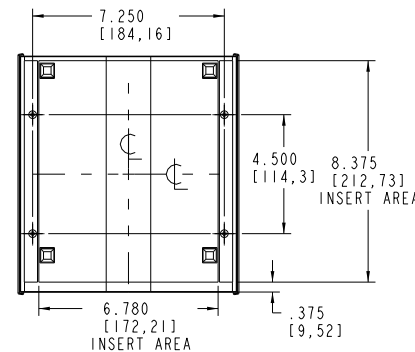
CFB-275



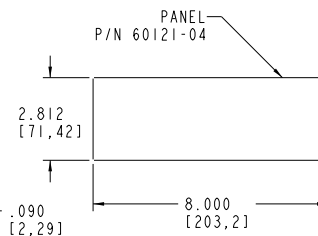
SECTION C-C



SECTION A-A



SECTION B-B



PACINTEC®
1-610-361-4200

CF-275, CFB-275

VISIT **PACINTEC®**
ON THE WORLD WIDE WEB
www.pactecenclosures.com

COLOR / MATERIAL CODE	
COLOR	94HB 94VO
BLACK	000 028
P.C. BONE	039 060

DRAWING NUMBER	REV
79363	A