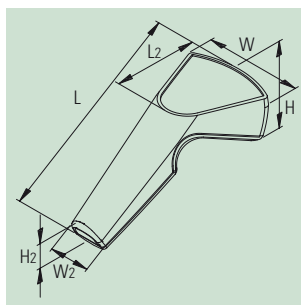


Off-white, RAL 9002   
 Lava, NCS S 7502-B



## THE PRODUCT

SENSO-CASE is ideal for ergonomically favourable single-handed operation, and offers many different possible applications.

Specific measuring, controlling and signalling tasks as well as the recording of data using opto-electronic components can be carried out easily, quickly and reliably.

## YOUR ADVANTAGE

Particularly user-friendly thanks to its ergonomic handle, suitable for right-handers as well as left-handers.

Recessed control panel for membrane and silicone keyboards, pushbuttons and display modules.

Fastening pillars in the top part, adapted in height to the current display modules for direct installation of PCBs and pushbuttons.

Ideal for preassembled electronics packages, including those with integrated interfaces.

Internal power supply with 2 x 1.5 V mignon cells (AA) or 1 x 9 V flat battery (PP3). Battery compartment for 2 x AA as well as cable strain relief for cable operation available as accessories. Simultaneous operation using standard/rechargeable batteries and cable possible.

## APPLICATIONS

Sensor technology. Opto-electronics. Opto-digital technologies. Industrial image processing.

Measuring and control technology.

Stock and sales logging.

Medical field and laboratory technology.

Communication.

## PROTECTION CLASS IP 41

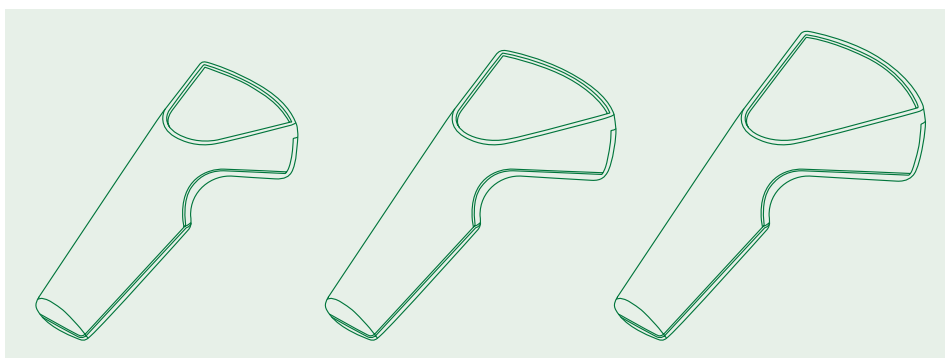
## INFO-BOX

### Innovative technology

Fully preassembled electronics packages with integrated interfaces are suitable for installation in the top part. The bottom part with elevated front part hooks into the front of the top part and is “invisibly” screwed tight.

Push-on cable strain reliefs form an attractive connection with cable-linked applications and are available as accessories. Alternatively, the opening in the handle is closed by means of a moulded part included in the supply so that it is flush with the contour.

Finally, the handle cover is fitted. It also hooks into the top part and is secured by means of a metric screw.



## ENCLOSURES

| SENSO-CASE | L   |                | Outside dim. in mm |                |    |                | Material       | Part-No.    |             |
|------------|-----|----------------|--------------------|----------------|----|----------------|----------------|-------------|-------------|
|            | L   | L <sub>2</sub> | W                  | W <sub>2</sub> | H  | H <sub>2</sub> |                | off-white   | lava        |
| M          | 180 | 78             | 86                 | 32             | 45 | 25             | ABS (UL 94 HB) | A 90 56 107 | A 90 56 108 |

## ACCESSORIES

| Article                             | For enclosure SENSO-CASE | Version / Application  | Part-No.    |
|-------------------------------------|--------------------------|--|-------------|
| ① Battery compartment* <sup>1</sup> | M                        | PP, black, for 2 x 1.5 V mignon cells (AA)                                   | A 91 56 001 |
| ② Plug-in contact* <sup>2</sup>     | M                        | for battery compartment ① or 1 x 9 V flat battery (PP3), cable length 152 mm | A 91 56 002 |
| ③ Set of strain relief              | M                        | for strain relief of cable connected applications                            | A 91 66 004 |
| ④ Cable strain relief               | M                        | for cable ø 5.0 - 5.9 mm, elastomer, volcano                                 | A 91 66 101 |
|                                     |                          | for cable ø 4.2 - 5.0 mm, elastomer, volcano                                 | A 91 66 131 |
|                                     |                          | for cable ø 3.4 - 4.2 mm, elastomer, volcano                                 | A 91 66 161 |
| ⑤ Self-tapping screw                | M                        | 2.5 x 6 mm, crosshead screw Z (type PZ1), for mounting PCBs, 1 pc            | A 03 05 031 |



For max. size of PCB please refer to detailed drawing on our website

\*<sup>1</sup> contacts to fit the plug-in contact ②

\*<sup>2</sup> with protective case