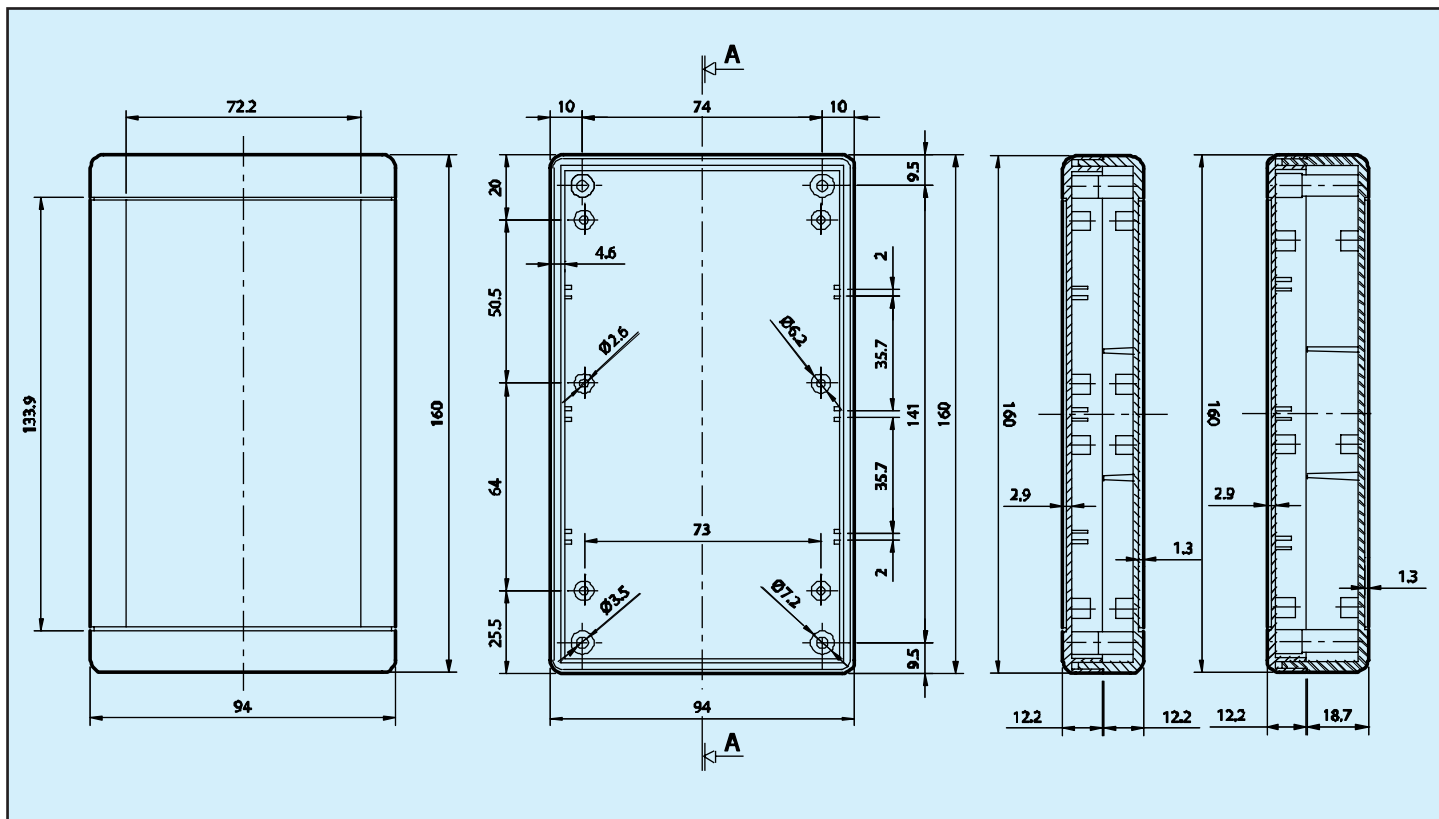




**DESIGN**

ABS enclosure with a recessed operating area for membrane keyboards. Base and cover have integral PCB guides and mounting studs. Matt surface finish. Fixed by four screws. Recessed operating area 132 x 72 mm. The models with “B” have a battery compartment for two mignon-cells 1.5V or one flat battery 9V. The models with “K” are able to accept the IP65 sealing kit.

**ACCESSORIES:** ABS wall mounting tabs “MT1”, aluminium panels “APTB”.



MODEL	DIMENSIONS mm		
	L	W	H
TB-1	160.0	94.0	25.0
TB-2	160.0	94.0	31.5
TB-1B	160.0	94.0	25.0
TB-2B	160.0	94.0	31.5
TB-1K	160.0	94.0	25.0
TB-2K	160.0	94.0	31.5
TB-1BK	160.0	94.0	25.0
TB-2BK	160.0	94.0	31.5

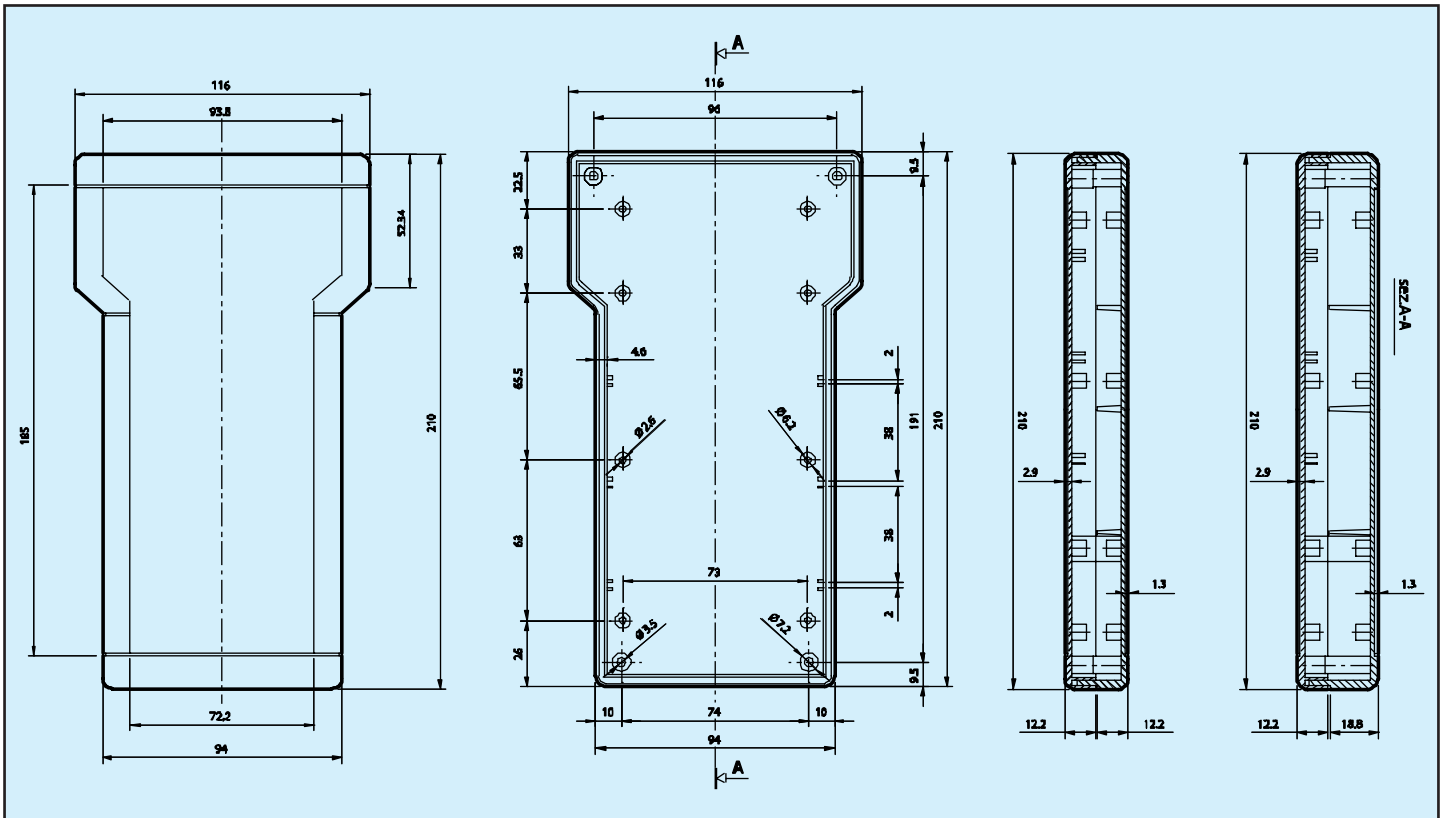
COLOURS		MATERIALS
Black	Ral 9004	ABS
White	Ral 9002	ABS

[Click here to return to the INDEX](#)



**DESIGN**

ABS enclosure with a recessed operating area for membrane keyboards. Base and cover have integral PCB guides and mounting studs. Matt surface finish. Fixed by four screws. The models with "B" have a battery compartment for two mignon-cells 1.5V or one flat battery 9V. The models with "K" are able to accept the IP65 sealing kit.



MODEL	DIMENSIONS mm		
	L	W	H
TBT-1	210.0	116.0	25.0
TBT-2	210.0	116.0	31.5
TBT-1B	210.0	116.0	25.0
TBT-2B	210.0	116.0	31.5
TBT-1K	210.0	116.0	25.0
TBT-2K	210.0	116.0	31.5
TBT-1BK	210.0	116.0	25.0
TBT-2BK	210.0	116.0	31.5

COLOURS		MATERIALS
Black	Ral 9004	ABS
White	Ral 9002	ABS

[Click here to return to the INDEX](#)