

TABLE 2

ALL HARDWARE IS 4-40, ALL SCREWS AND THUMB SCREWS ARE CAPTIVE. THE JACK NUT IS NOT CAPTIVE AND THIS ITEM CAN BE THREADED INTO THE HOUSING, OR THE HOLE CAN BE ENLARGED.

P/N 72609-01 JACKSCREW
 .570 [14,48] .107 [2,72] .188 [4,78] .079 [2,01] ϕ .183 [4,65]

P/N 73542-01 SHORT THUMB SCREW
 .570 [14,48] 1.000 [25,4] .188 [4,78] ϕ .079 [2,01] ϕ .196 [4,97]

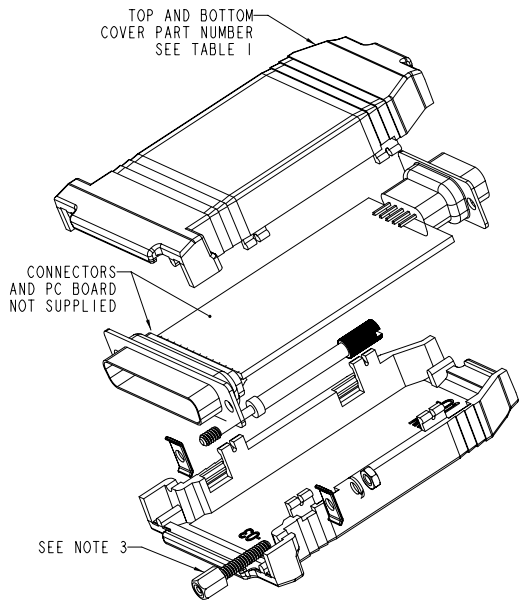
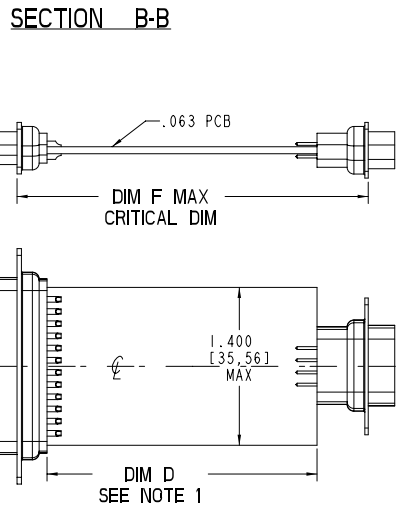
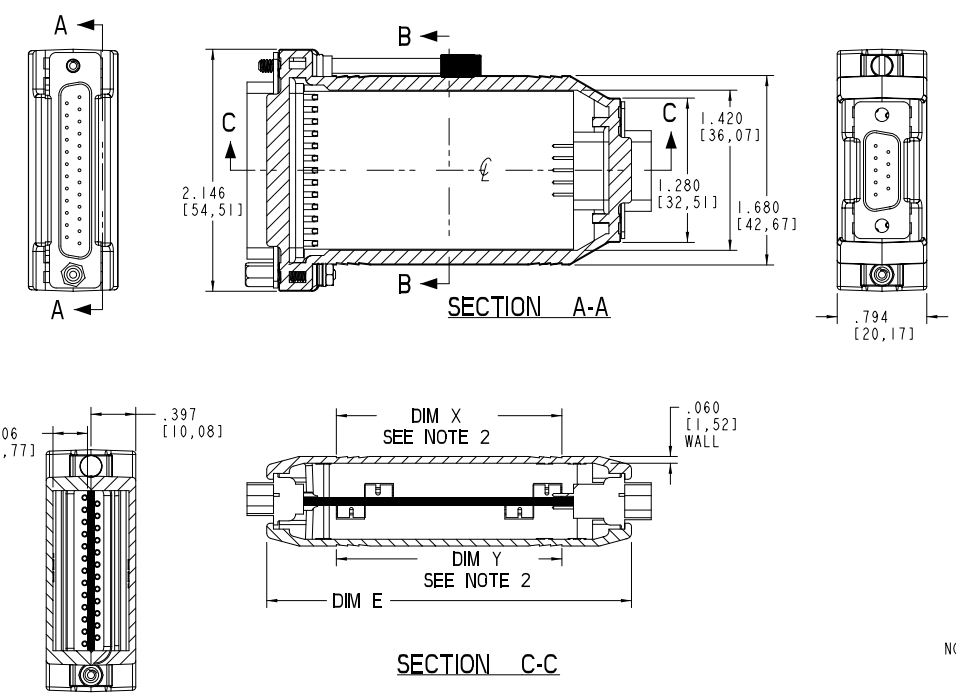
P/N 73542-04 LONG THUMB SCREW
 .570 [14,48] 1.400 [35,56] .188 [4,78] ϕ .079 [2,01] ϕ .196 [4,97]

JACKNUT, MALE/FEMALE P/N 72595-01
 .550 [13,97] .250 [6,35] 4-40 INT THD .189 HEX [4,81]

SADDLE WASHER P/N 73361-01
 .377 [9,57] .203 [5,16] .029 [0,73] ϕ .120 [3,05] HOLE

LOCK WASHER P/N 60687-01
 ϕ .209 [5,31] ϕ .120 [3,05] .025 [0,64]

HEX NUT P/N 63291-01
 .188 [4,76] .066 [1,68]



- NOTES:
1. ACTUAL PCB LENGTH IS A PRODUCT OF THE CONNECTORS SELECTED.
 2. DIM X & Y ARE TOP AND BOTTOM COVER INSERT AREA X 1.450 [36,83] WIDE.
 3. HARDWARE TO BE ORDERED SEPARATE FROM TABLE 2 PER CUSTOMER SPECIFIC REQUIREMENTS.

TABLE 1

CN SIZE	S	M	L
HOUSING PART NUMBER	CNS-0103	CNM-0103	CNL-0103
DIM D PCB SIZE	SEE NOTE 1		
DIM E OVERALL SIZE	2.734 [69,44]	3.234 [82,14]	3.734 [94,84]
DIM F MAX CRITICAL DIM	2.610 [66,29]	3.110 [79,0]	3.610 [91,69]
DIM X & Y INSERT AREA	1.500 [38,10]	2.000 [50,80]	2.500 [63,50]

DB9 STRAIGHT CONNECTOR TO DB25 STRAIGHT CONNECTOR

PACNTEC®
 1-610-361-4200
CN-0103-SERIES
 SEE TABLE 1

VISIT **PACNTEC®**
 ON THE WORLD WIDE WEB
www.pactecenclosures.com

COLOR / MATERIAL CODE	
COLOR	94HB 94VO
BLACK	000 028
P. C. BONE	039 060

DRAWING NUMBER	REV
79578	C