

**DESIGN**

An ABS enclosure with two 1 mm aluminium panels. Each half-shell has integral PCB guides and mounting studs. Mat surface finish. The models 931C, 932C and 933C are available with two ABS horizontal PCB guides (Eurocard 100 x 160 mm). The models 932, 932C, 933 and 933C are available with handles that can be locked in any of 8 positions. Closing by only two screws.

**ACCESSORIES**

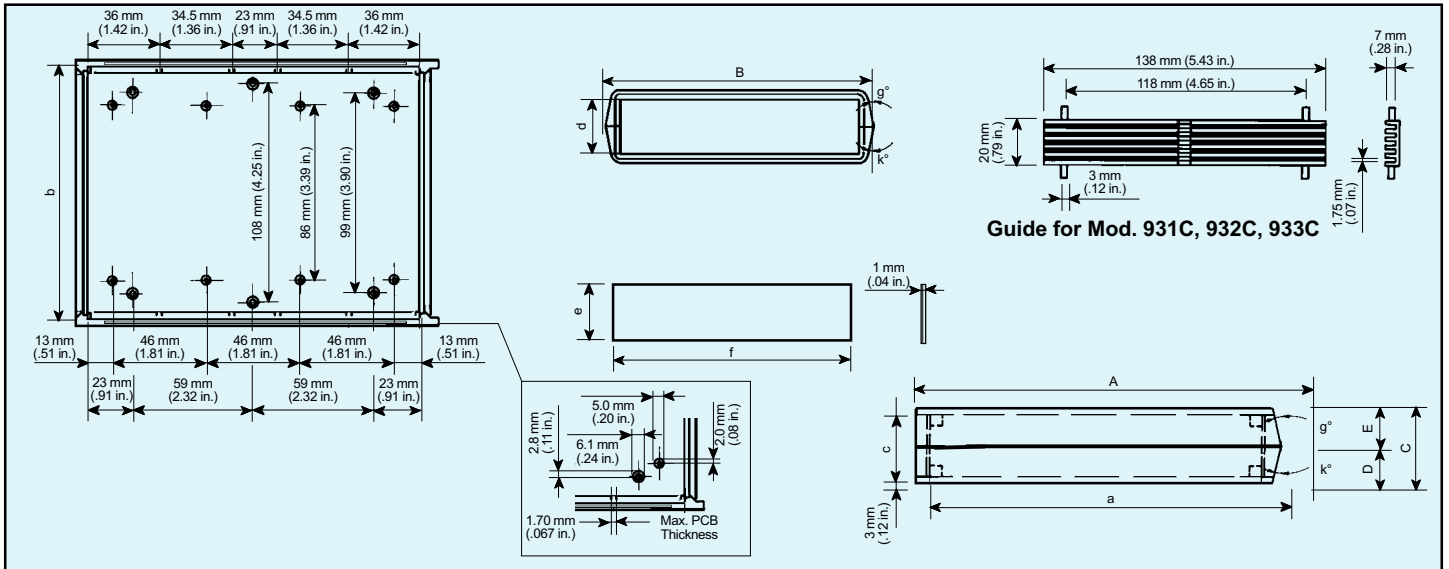
Handle (Mod. H1)

**OPTIONS**

- Flame retardant materials
- CNC machining
- Punching
- EMI-RFI shielding
- Silk-screening

**MATERIALS and COLOURS**

ABS		<i>ALUMINIUM</i>	
Black	RAL 9004	Silver	RAL 9006
Light Gray	RAL 9018		



MODEL	DIMENSIONS mm																		
	EXTERNAL						INTERNAL												
	A	B	C	D	E	F	a	b	c	d	e	f	g	h	i	j	k	l	
931	178.0	132.0	36.0	18.0	18.0		164.0	117.0	30.0	27.0	29.0	120.0							
932	178.0	132.0	54.0	18.0	36.0		164.0	117.0	48.0	45.0	47.0	120.0							
933	178.0	132.0	72.0	36.0	36.0		164.0	117.0	66.0	63.0	65.0	120.0							
931C	178.0	132.0	36.0	18.0	18.0		164.0	117.0	30.0	27.0	29.0	120.0							
932C	178.0	132.0	54.0	18.0	36.0		164.0	117.0	48.0	45.0	47.0	120.0							
933C	178.0	132.0	72.0	36.0	36.0		164.0	117.0	66.0	63.0	65.0	120.0							

