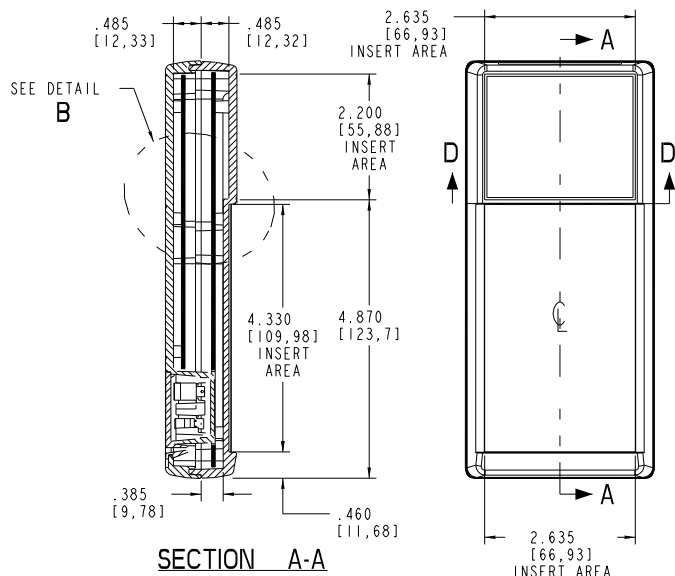
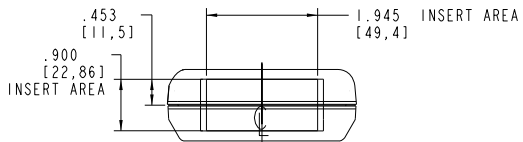
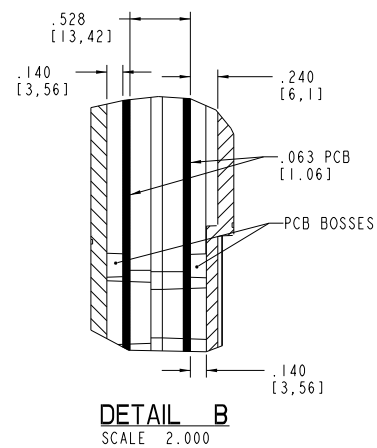


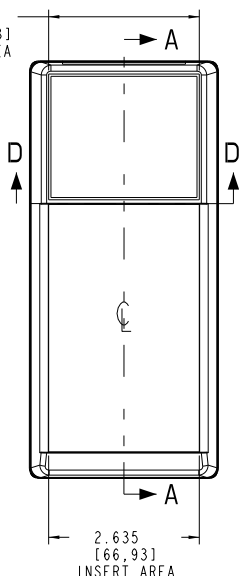
**DETAIL "B"**  
SCALE 2.000



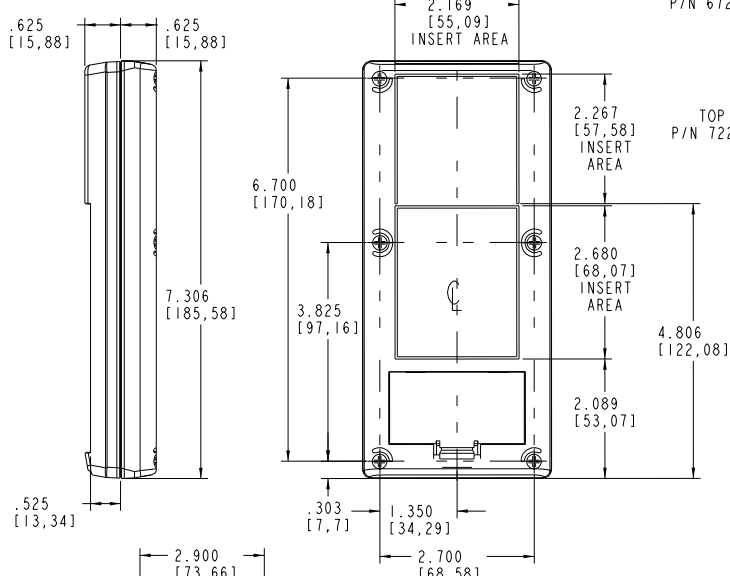
SECTION A-A



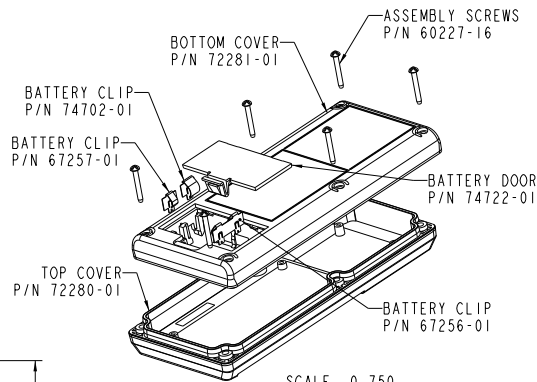
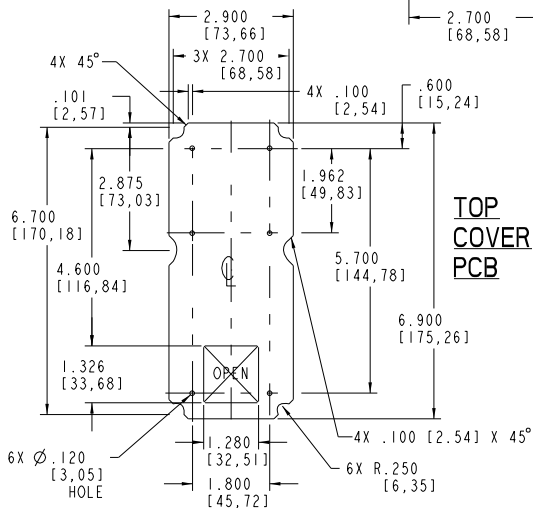
DETAIL B  
SCALE 2.000



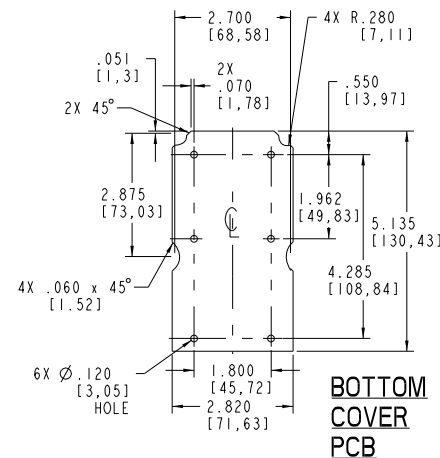
SECTION D-D



TOP  
COVER  
PCB



SCALE 0.750



BOTTOM  
COVER  
PCB

**PACINTEC®**

1-610-361-4200

**TS-9VB/2AA**

VISIT **PACINTEC®**  
ON THE WORLD WIDE WEB  
[www.pactecenclosures.com](http://www.pactecenclosures.com)

COLOR / MATERIAL CODE	
COLOR	94HB 94VO
BLACK	000 028
P. C. BONE	039 060

DRAWING NUMBER	REV
77833	B