

6003 Joker 15 Set 1 combination wrench set, 15 pieces

6003 Joker combination wrench - Open-end with return angle of just 15. When things get tight.



WERA 2GO
COMPATIBLE



TAKE IT EASY
TOOL FINDER



15°
SMALL
ANGLE

| | | | |
|------------------------|---------------------|-------------------------------|---------------|
| EAN: | 4013288222657 | Size: | 295x105x80 mm |
| Part number: | 05020302001 | Weight: | 1330 g |
| Article number: | 6003 Joker 15 Set 1 | Country of origin: | CZ |
| | | Customs tariff number: | 82041100 |

- Especially suitable for tight spaces
- The special mouth geometry expands the placement possibilities of the tool
- The low return angle in the mouth "takes" the screw every 15°
- Slim ring side with 15° crank
- Suitable for docking with the Wera 2go system

As the installation space becomes increasingly tight during screwdriving, tools are necessary that enable users to work successfully even in such situations. Narrow spaces require additional placement points of the tool. Can spanners be modified so that the placement possibilities of the tool increase? The combination of the 7.5° pivoted mouth and the double hexagon geometry doubles the placement points. A repeated 180° turn of the wrench around the longitudinal axis during screwdriving provides four placement possibilities, and bolts or screw heads can be engaged every 15°. The Joker 6003 with its smart mouth geometry significantly expands the range of uses in confined spaces. The Joker 6003 will automatically find the respective placement point after every turn. The slim yet robust ring side is angled by 15° to the tool axis. The high-quality surface treatment achieves a high and long-lasting corrosion protection. With tool finder Take it easy: colour coding by size. The Joker bags are suitable for attachment to walls, shelves, workshop trolleys and the Wera 2go system thanks to the hook and loop fastener system on the back.

Web link

https://products.wera.de/en/joker_6003_joker_combination_wrench_open-end_with_return_angle_of_just_15_when_things_get_tight_6003_joker_15_set_1.html


Wera - 6003 Joker 15 Set 1
05020302001 - 4013288222657

Wera Werkzeuge GmbH
Korzter Straße 21-25
D-42349 Wuppertal
Tel: +49 (0)2 02 / 40 45-0
E-Mail: info@wera.de

6003 Joker 15 Set 1 combination wrench set, 15 pieces

6003 Joker combination wrench - Open-end with return angle of just 15. When things get tight.

Set contents:

| 6003 Joker | | K240 | |
|---|-------------|------------------|-----------------|
|  | 05020190001 | 1 x 5.5 x 105 mm | |
| | 05020198001 | 1 x 6 x 105 mm | |
| | 05020199001 | 1 x 7 x 110 mm | |
| | 05020208001 | 1 x 17 x 190 mm | |
| | 05020219001 | 1 x 9 x 120 mm | |
| | 05020202001 | 1 x 11 x 135 mm | |
| | 05020203001 | 1 x 12 x 148 mm | |
| | 05020205001 | 1 x 14 x 167 mm | |
| | 05020206001 | 1 x 15 x 174 mm | |
| | 05020207001 | 1 x 16 x 182 mm | |
| | 05020209001 | 1 x 18 x 210 mm | |
| | 05020200001 | 1 x 8 x 115 mm | |
| | 05020201001 | 1 x 10 x 125 mm | |
| | 05020204001 | 1 x 13 x 160 mm | |
| | 05020210001 | 1 x 19 x 230 mm | |
| | | | 1 x 50 x 240 mm |

For very tight spaces



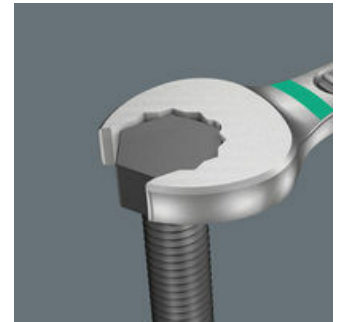
The Joker 6003 ring spanner with its special mouth geometry - mouth side pivoted by 7.5° and the double hexagon profile - doubles the placement possibilities when repeatedly turning the wrench 180° around the longitudinal axis. Bolts and screw heads can be "accessed" every 15°. The Joker 6003 will automatically find the respective placement point after every turn.

Joker 6003: For pivoting angles under 30°



Thanks to the mouth side pivoted by 7.5°, double hexagon geometry and an adjusted application method (placement - screwdriving - turning - replacement - screwdriving - turning, etc), even screwdriving challenges allowing a pivoting angle of less than 30° can be solved.

Double-hex geometry



The double hexagon geometry on the mouth and ring sides secures the positive connection with the screw head or bolt and reduces the risk of slipping.

Web link

https://products.wera.de/en/joker_6003_joker_combination_wrench_open-end_with_return_angle_of_just_15_when_things_get_tight_6003_joker_15_set_1.html

Wera - 6003 Joker 15 Set 1
05020302001 - 4013288222657

Wera Werkzeuge GmbH
Korzter Straße 21-25
D-42349 Wuppertal
Tel: +49 (0)2 02 / 40 45-0
E-Mail: info@wera.de

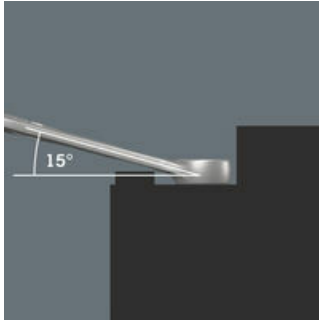
6003 Joker 15 Set 1 combination wrench set, 15 pieces

6003 Joker combination wrench - Open-end with return angle of just 15. When things get tight.

Joker 6003: Angled ring side

“Take it easy” tool finder

Suitable for docking with the Wera 2go system



The ring side is cranked at 15° to the tool axis to prevent injury.



Take it easy tool finder system - with profile and size colour-coding for quick and easy tool selection. Colour-coded system for hexagon drive screws (L-Keys, Zyklop bit sockets), external hex drive screws and nuts (Joker wrenches, Zyklop sockets and Zyklop bit sockets with holding function), and TORX® drive screws (L-Keys, Zyklop bit sockets).



The Joker pouches are suitable for attachment to walls, shelves, workshop trolleys and the Wera 2go system thanks to the hook and loop fastener system on the back.

Web link

https://products.wera.de/en/joker_6003_joker_combination_wrench_open-end_with_return_angle_of_just_15_when_things_get_tight_6003_joker_15_set_1.html

Wera - 6003 Joker 15 Set 1
05020302001 - 4013288222657

Wera Werkzeuge GmbH
Korzter Straße 21-25
D-42349 Wuppertal
Tel: +49 (0)2 02 / 40 45-0
E-Mail: info@wera.de