

6000/6002 Joker 6 Set 1 Set of ratcheting combination / double open-ended wrenches, 6 pieces
6000 Joker Ratcheting combination wrenches



EAN:	4013288173034	Size:	305x95x60 mm
Part number:	05020022001	Weight:	1238 g
Article number:	6000/6002 Joker 6 Set 1	Country of origin:	CZ
		Customs tariff number:	82041100

- Practical holding function thanks to the metal plate in the jaw
- Limit stop prevents any slipping
- The double-hex geometry reduces the risk of slipping
- Return angle of only 30°
- With Take it easy tool finder: colour coding by size

High quality combination ratchet wrench set by Wera: everything that a wrench has to be able to do. And a whole lot more. Faster, better, stylish. Yes, a real Joker. The new generation of combination ratchet wrenches. 6-piece set in a robust pouch. 4 wrenches with open end and ring end in the same dimension; 2 wrenches with a jaw at both ends in different dimensions. Suitable for hexagon bolt heads or nuts. Comes with a holding end in the same dimension; thanks to the metal plate in the jaw, which reduces the risk of dropping nuts and bolts. The replaceable metal plate in the jaw secures nuts and bolts with its extra hard teeth and limits the danger of slipping. The integrated limit stop prevents any slipping down around the bolt head and allows higher torque to be applied. The double-hex geometry makes for a positive connection with nuts or bolts and reduces the risk of slipping. A return angle of only 30° at the open end prevents any time consuming flipping of the wrench during fastening jobs. The ratchet mechanism at the ring end, with an exceptional, fine-tooth mechanism – 80 teeth in all – enables flexibility even in very confined working spaces. The specially forged geometry provides for high torque transfer and strength. Manufactured out of high performance chrome molybdenum steel with a nickel-chrome coating for high corrosion protection. "Take it easy" Tool Finder with colour coding according to sizes.

Web link

https://products.wera.de/en/joker_6000_joker_ratcheting_combination_wrenches_6000_6002_joker_6_set_1.html


Wera - 6000/6002 Joker 6 Set 1
05020022001 - 4013288173034


Wera Werkzeuge GmbH
Korzter Straße 21-25
D-42349 Wuppertal
Tel: +49 (0)2 02 / 40 45-0
E-Mail: info@wera.de

6000/6002 Joker 6 Set 1 Set of ratcheting combination / double open-ended wrenches, 6 pieces
6000 Joker Ratcheting combination wrenches



Set contents:

	6000 Joker	
	05073270001	1 x 10 x 159 mm
	05073273001	1 x 13 x 177 mm
	05073277001	1 x 17 x 224 mm
	05073279001	1 x 19 x 246 mm

	6002 Joker Double	
	05003760001	1 x 10 x 13 x 167 mm
	05003765001	1 x 17 x 19 x 235 mm

Joker open-ended wrench



The ratcheting feature at the ring end boasts an exceptional, fine tooth mechanism – 80 teeth in all – which provides greater flexibility, even in very confined working spaces.



When we began to think about open-ended wrenches, we asked ourselves: why does the wrench always have to be flipped over; why does it have an offset design; why does it slip off injuring fingers? The new design of the mouth resulted in a real "Joker" that works even when all other trumps have been played.

Holding function



The Joker's holding function means that nuts and bolts can be held in the jaw and easily positioned where they are needed. Fastening on to the thread can then be done quickly and safely, thanks to the innovative special stop-plate which holds the fastener. No more time-wasting searches for dropped nuts and bolts! After applying and positioning the nut or bolt, fastening can begin immediately – no additional tools required.

Integrated limit-stop



Constant re-positioning of the wrench? Difficulty holding fasteners in confined spaces? Easing off to avoid any risks of injury or fastener damage? That was yesterday. Today, the Joker prevents slipping off of the fastener head with its integrated limit-stop – no longer is the thumb needed to act as a depth stop. This makes applications much easier and allows significantly more force to be applied during fastening jobs.

Web link

https://products.wera.de/en/joker_6000_joker_ratcheting_combination_wrenches_6000_6002_joker_6_set_1.html

Wera - 6000/6002 Joker 6 Set 1
 05020022001 - 4013288173034

Wera Werkzeuge GmbH
 Korzter Straße 21-25
 D-42349 Wuppertal
 Tel: +49 (0)2 02 / 40 45-0
 E-Mail: info@wera.de

6000/6002 Joker 6 Set 1 Set of ratcheting combination / double open-ended wrenches, 6 pieces
6000 Joker Ratcheting combination wrenches

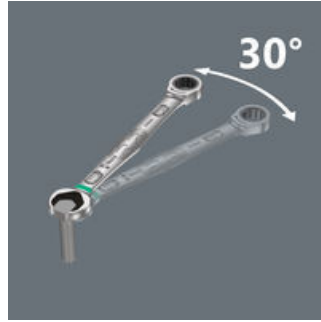


Double-hex geometry



The Joker's clever double-hex geometry delivers a very positive connection with nuts or bolts – it's a perfect fit. And the exchangeable, hardened metal gripping plate in the Joker's mouth literally bites itself into the bolt, with its extremely hard tips. Both features combine to prevent slipping, even at higher torque.

Small return angle



Instead of 60°, the Joker only has a 30° return angle thanks to its unique double-hex design. Along with the Joker's straight neck, this means that flipping the wrench has become a thing of the past. With the Joker, you can now loosen and tighten nuts and bolts, in situations where conventional tools fail. Particularly in confined spaces, where conventional open-jawed wrenches cannot be used. The combination of limit stop and small return angle enables effective work, even on screw pipe connections.

Fine tooth mechanism



The ratcheting feature at the ring end boasts an exceptional, fine tooth mechanism – 80 teeth in all – which provides greater flexibility, even in very confined workspaces.

Double open-ended wrench



The Joker double open-ended wrench is ideally suited for locking down nuts and bolts.

Web link

https://products.wera.de/en/joker_6000_joker_ratcheting_combination_wrenches_6000_6002_joker_6_set_1.html

Wera - 6000/6002 Joker 6 Set 1
05020022001 - 4013288173034

Wera Werkzeuge GmbH
Korzter Straße 21-25
D-42349 Wuppertal
Tel: +49 (0)2 02 / 40 45-0
E-Mail: info@wera.de