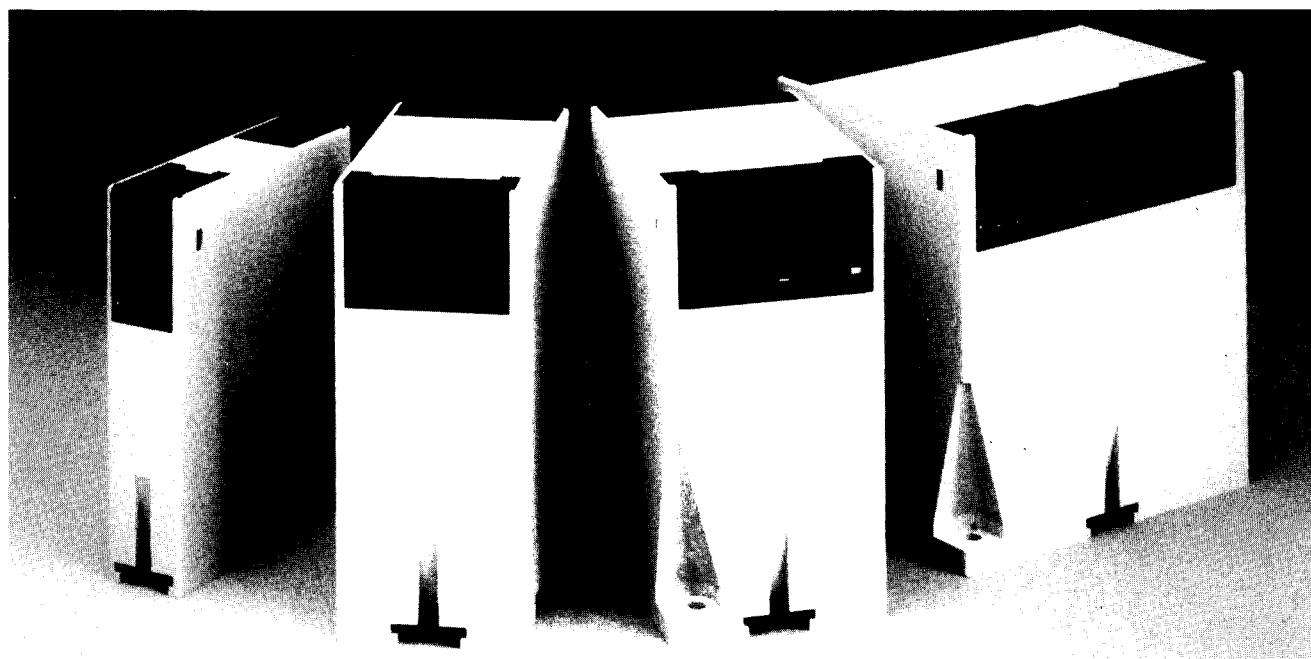


Miniature Housings

LDG-A



Models

LDG-A-12 ... max. 12 connections

LDG-A-14 ... max. 14 connections

LDG-A-16 ... max. 16 connections

LDG-A-30 ... max. 30 connections

General

The LDG-A series of miniature housings are fully-insulated housings to the specifications of the machinery and automobile industries, with terminals protected against accidental contact in accordance with VDE 0100 Part 750, VDE 0160 Part 100 and VBG 4.

Designed to be particularly easy to install, these housings facilitate extremely rational equipment assembly with optimal utilization of space.

- Connections between the circuit boards and the terminals by means of solderable circuit-board connecting pins, so that no wiring connections are needed.

- The connecting pins are suitable for automatic soldering processes.
- Blind plugs close off any unused terminal ducts.
- The flat cover is easily removed and can be readily drilled or otherwise adapted to requirements.
- Captive, self-locking terminal screws that are highly resistant to loosening through vibration. Large wiring entry channels and guidance for screwdrivers.
- Equipment can be completely assembled before being built into the housing.
- Structured surface and attractive design.
- Easy to assemble and simple to dismantle should servicing be necessary.
- Creepage and air distances to VDE 0110 Group C, 380 V_{eff}

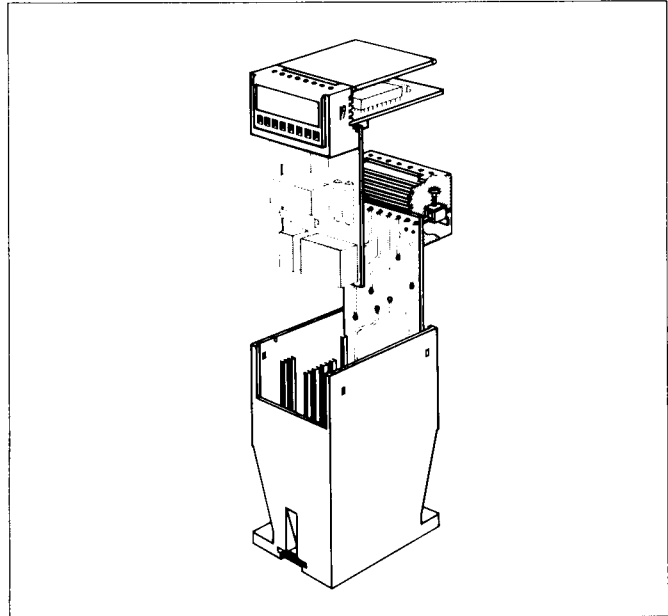
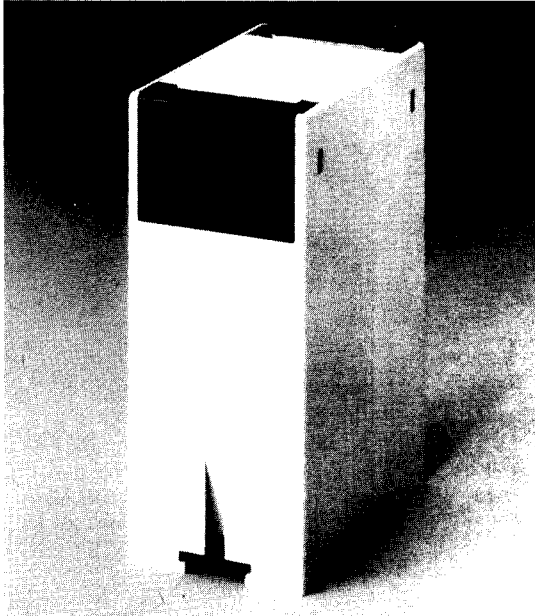
Technical Data

Description	LDG-A-12	LDG-A-14	LDG-A-16	LDG-A-30
Protection	Housing IP 40 Terminals IP 20			
Housing base	Polycarbonate (30% GFR), RAL 7032, UL 94 V-1			
Terminal housing, cover and blind plugs	Polycarbonate, UL 94 V-2			
Terminals	Material	sheet steel, tinned		
	Wire cross section	max. 2,5 mm ²	max. 4 mm ²	
	Rated current	max. 16 A	max. 20 A	
Terminal pins	Tin bronze 2 μm initial nickel plating 5 μm tin plating			
Temperature range	-40° C ... +110° C			
Overall dimensions	L 75 × W 22,5 × H 100 mm	L 75 × B 45 × H 110 mm	L 75 × W 55 × H 110 mm	L 75 × W 99,7 × H 110 mm

Miniature housings

for max. 14 connections

LDG-A-14



LDG-A-14 housings are capable of accommodating up to two lengthwise circuit boards in addition to one top circuit board as a crosswise connection and to accommodate any actuating and indicating elements.

The two differently sized terminal housings can be fitted with as many terminal pins and terminals as are required.

The narrower terminal housing is fitted with shorter terminal pins and the wider housing with longer terminal pins. The LDG-A-14 is provided with a snap fastener for fitting to the assembly rails meeting the DIN 46 277 and DIN EN 50 022 or a screw fastening via a separate adapter-plate.

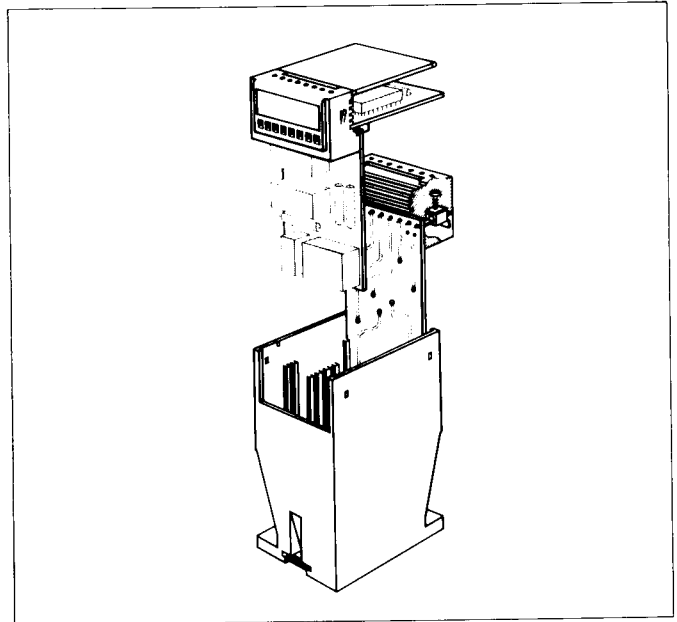
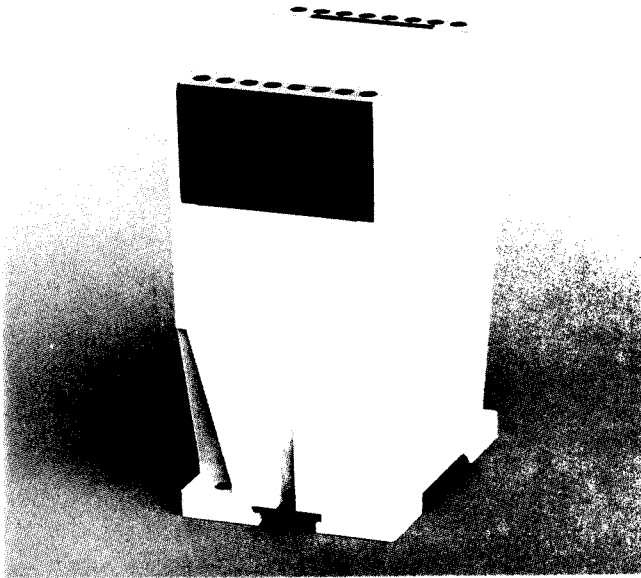
Ordering information

Description	Execution	Colour	Order No.
Housing base		light grey	423 280
Housing cover		light grey	423 273
Housing cover		transparent	423 272
Housing cover		dark grey	423 274
Terminal housing	narrow	dark grey	423 275
Terminal housing	narrow	blue	423 276
Terminal housing	wide	dark grey	423 277
Terminal housing	wide	blue	423 278
PCB terminal pin	short		113 024
PCB terminal pin	long		113 025
Terminal, unassembled			103 008
Blind plug		dark grey	103 006
Adapter plate for screw fastening			424 140

Miniature housings

for max. 16 connections

LDG-A-16



LDG-A-16 housings are capable of accommodating up to two lengthwise circuit boards in addition to one top circuit board as a crosswise connection and to accommodate any actuating and indicating elements.

The two differently sized terminal housings can be fitted with as many terminal pins and terminals as are required.

The narrower terminal housing is fitted with shorter terminal pins and the wider housing with longer terminal pins.

The housings can be mounted either by means of screws passed through the two holes to DIN 46 121 and DIN 43 660 or by a snap fastener for fitting to DIN 46 277 and DIN EN 50 022 assembly rails.

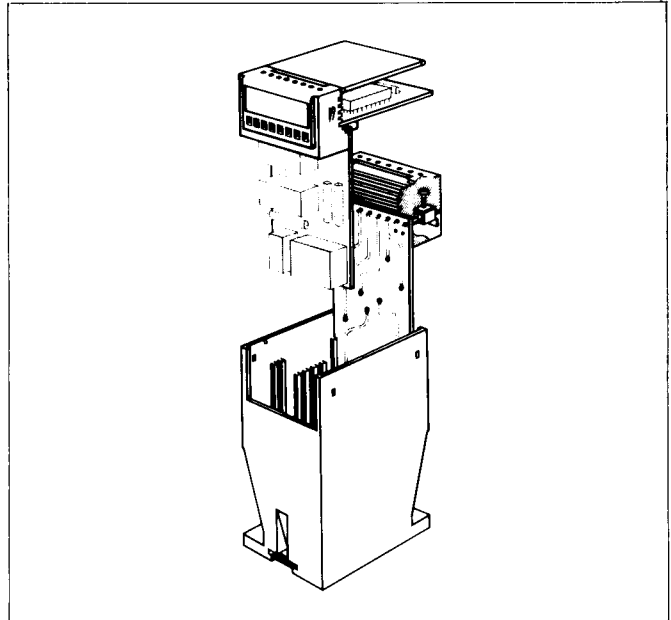
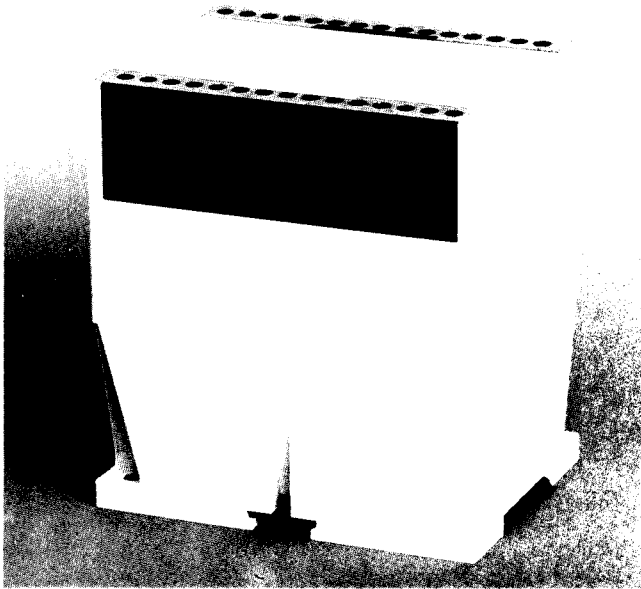
Ordering information

Description	Execution	Colour	Order No.
Housing base		light grey	414 124
Housing cover		light grey	203 032
Housing cover		transparent	203 031
Housing cover		dark grey	203 030
Terminal housing	narrow	dark grey	103 031
Terminal housing	narrow	blue	103 033
Terminal housing	wide	dark grey	103 032
Terminal housing	wide	blue	103 034
PCB terminal pin	short		113 024
PCB terminal pin	long		113 025
Terminal, unassembled			103 008
Blind plug		dark grey	103 006

Miniature housings

for max. 30 connections

LDG-A-30



LDG-A-30 housings are capable of accommodating up to two lengthwise circuit boards in addition to one top circuit board as a crosswise connection and to accommodate any actuating and indicating elements.

The two differently sized terminal housings can be fitted with as many terminal pins and terminals as are required.

The narrower terminal housing is fitted with shorter terminal pins and the wider housing with longer terminal pins.

The housing can be mounted either by means of screws passed through the two holes to DIN 46 121 and DIN 43 660 or by a snap fastener for fitting to DIN 46 277 and DIN EN 50 022 assembly rails.

Ordering information

Description	Execution	Colour	Order No.
Housing base		light grey	414 165
Housing cover		light grey	413 962
Housing cover		transparent	413 963
Housing cover		dark grey	413 964
Terminal housing	narrow	dark grey	413 966
Terminal housing	narrow	blue	413 965
Terminal housing	wide	dark grey	413 968
Terminal housing	wide	blue	413 967
PCB terminal pin	short		113 024
PCB terminal pin	long		113 025
Terminal, unassembled			103 008
Blind plug		dark grey	103 006

