



2003-02-03

PRODUKTINFORMATION

Vi reserverar oss mot fel samt förbehåller oss rätten till ändringar utan föregående meddelande

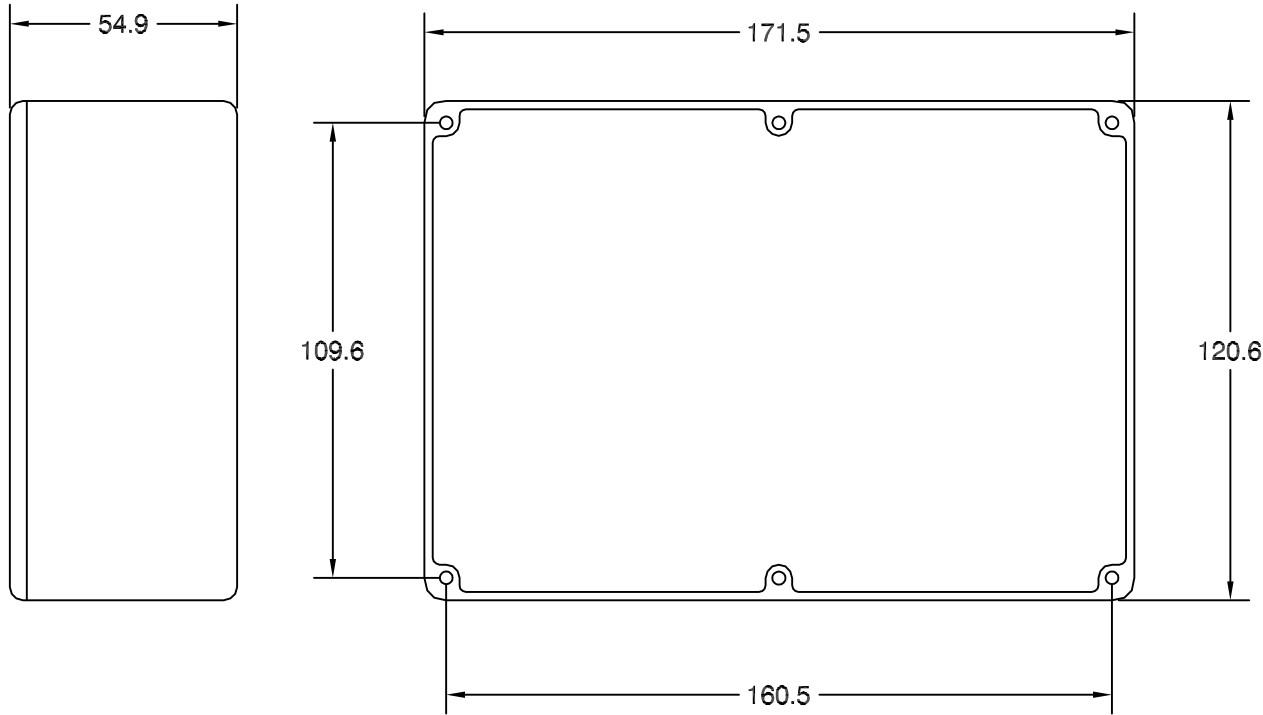
ELFA artikelnr

50-024-49 Skärmbox 172x121x55 mm 461-0050

50-025-55 Skärmbox 172x121x55 mm 459-0050

50-029-44 Skärmbox 172x121x55 mm 462-0050

Dimensions



TAPER 1.5° PER SIDE
LID TO BASE

ALL DIMENSIONS IN MM / ANGLES IN DECIMAL DEGREES

Description

A range of diecast boxes in various sizes, manufactured in a robust aluminium alloy. These lightweight enclosures provide excellent screening against EMI/RFI and are therefore ideal housing for electronic components and circuits.

The close fitting lid is secured using six countersunk screws. The box comes in a plain finish.

Features

MATERIAL BOX & LID	:Aluminium Alloy LM24
SCREWS	:Mild Steel M3.5x9
WALL THICKNESS	:2.0mm

CONVERTED FROM COREL. PS0258 ISS3

DrgNo 459-0050-GS	TITLE DIECAST BOX - 'E' SIZE
-------------------	------------------------------

	ISSUE 4	GENERAL SPECIFICATION FOR 459-0050	CUSTOMER
			FILTER REF

Sheet 1 of 1	Aprvd Date 12/04/02	Aprvd By MC	Drwn by BS	SCALE NTS	CNN---	Location N: \LONDON\GS\LGS00031
--------------	---------------------	-------------	------------	-----------	--------	---------------------------------