



## PRODUKTINFORMATION

Vi reserverar oss mot fel samt förbehåller oss rätten till ändringar utan föregående meddelande

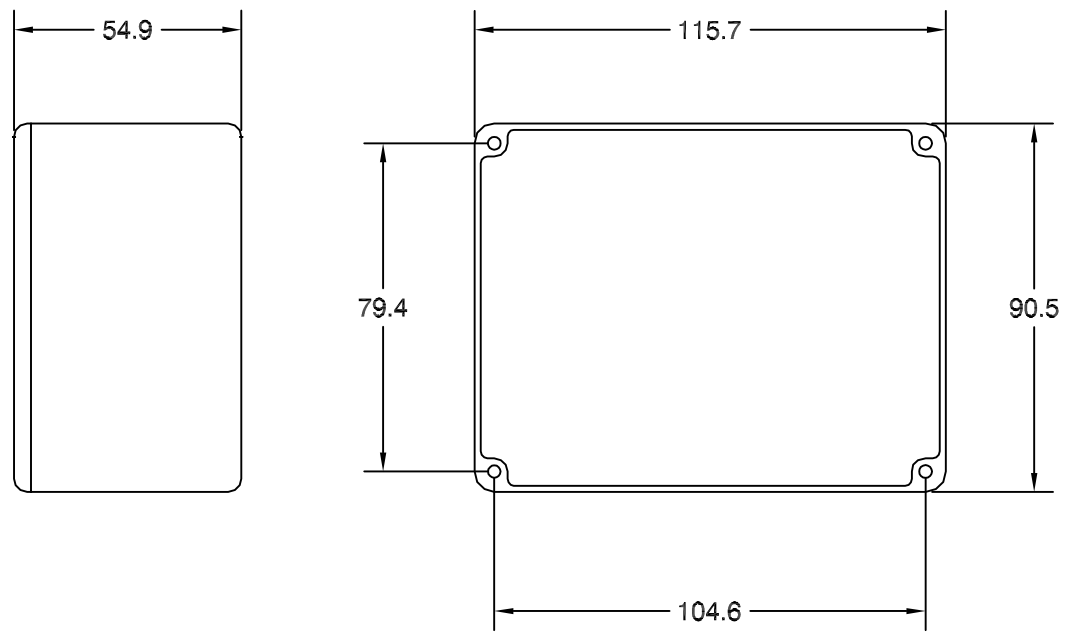
### ELFA artikelnr

**50-024-23 Skärmbox 114x89x55 mm 461-0030**

**50-025-30 Skärmbox 114x89x55 mm 459-0030**

**50-029-36 Skärmbox 114x89x55 mm 462-0030**

**Dimensions**



TAPER 1.5° PER SIDE  
BASE TO LID

**Description**

A range of diecast boxes in various sizes, manufactured in a robust aluminium alloy. These lightweight enclosures provide excellent screening against EMI/RFI and are therefore ideal housing for electronic components and circuits.

The close fitting lid is secured using four countersunk screws. The box comes in a plain finish.


**Features**

- MATERIAL BOX & LID :Aluminium Alloy LM24
- SCREWS :Mild Steel M3.5x9
- WALL THICKNESS :1.5mm

CONVERTED FROM COREL. PS0256 ISS3

ALL DIMENSIONS IN MM / ANGLES IN DECIMAL DEGREES

DrgNo 459-0030-GS	TITLE DIECAST BOX - 'C' SIZE
-------------------	------------------------------

	ISSUE 3	GENERAL SPECIFICATION FOR 459-0030	CUSTOMER
			FILTER REF

Sheet 1 of 1	Aprvd Date 08/04/02	Aprvd By MC	Drwn by BS	SCALE NTS	CNN---	Location N: \LONDON\GS\LGS00023
--------------	---------------------	-------------	------------	-----------	--------	---------------------------------