

Knürr ConAct®

Network wall-mounted housing

Features

- Economical: savings of up to 50% on transport volume and storage space.
- Practical: "one-person" installation as housing is delivered in parts.
- Convenient for laying cables as it can be accessed from all sides; generous lateral clearance space.
- Individual configuration: various modification options available (color, design etc.).

The ConAct® network wall-mounted housing is notable due to its simple and quick "one-person" installation.

The ConAct® wall-mounted housing offers ideal conditions for network distribution. It is delivered in flat-pack sets.

Installing the ConAct network housing involves: Unpacking – and then network installation can begin within minutes.





A. ACT00024

■ Economical

- Savings of up to 50% of transport volume with flat-pack packaging (see figure A).
- Easily transported and installed thanks to space-saving packaging.
- Small packaging allows for maximized storage space.



B. ACT00031

■ "One-person" installation

- No unnecessary dismantling of housing as it is delivered in parts.
- Rear panel mounted using drill-hole template.
- Easy assembly:
 - Keyhole punching on the rear panel (see figure B).
 - Push-in technology for mounting rails and covers.
 - Symmetrical housing configuration.



C. ACT00030



D. ACT00033

■ Cabling made easy

- Access from all sides guarantees convenient mounting of the components.
- Open construction design permits easy cable management.
- Organized cable management with spacious lateral clearance area and cable clamping rails (see figures C+D).



E. ACT00034



F. ACT00033

■ Accessories

- Easy integration of accessories; e.g. socket strips with screw-on points on the vertical extrusion or on the rear panel (see figure E).
- Accessories available for orderly cable management; e.g. cable routing board or cable-routing bracket (see figure F).
- Comprehensive standard range of accessories available; e.g. shelves, drawers, socket strips, etc.

■ Maintenance-friendly

- Easy access for servicing is guaranteed when removing the side panels.
- Housing can be locked with security lock.
- Door opening angle: 180°.



ACT00017



ACT00024

1. Unpack



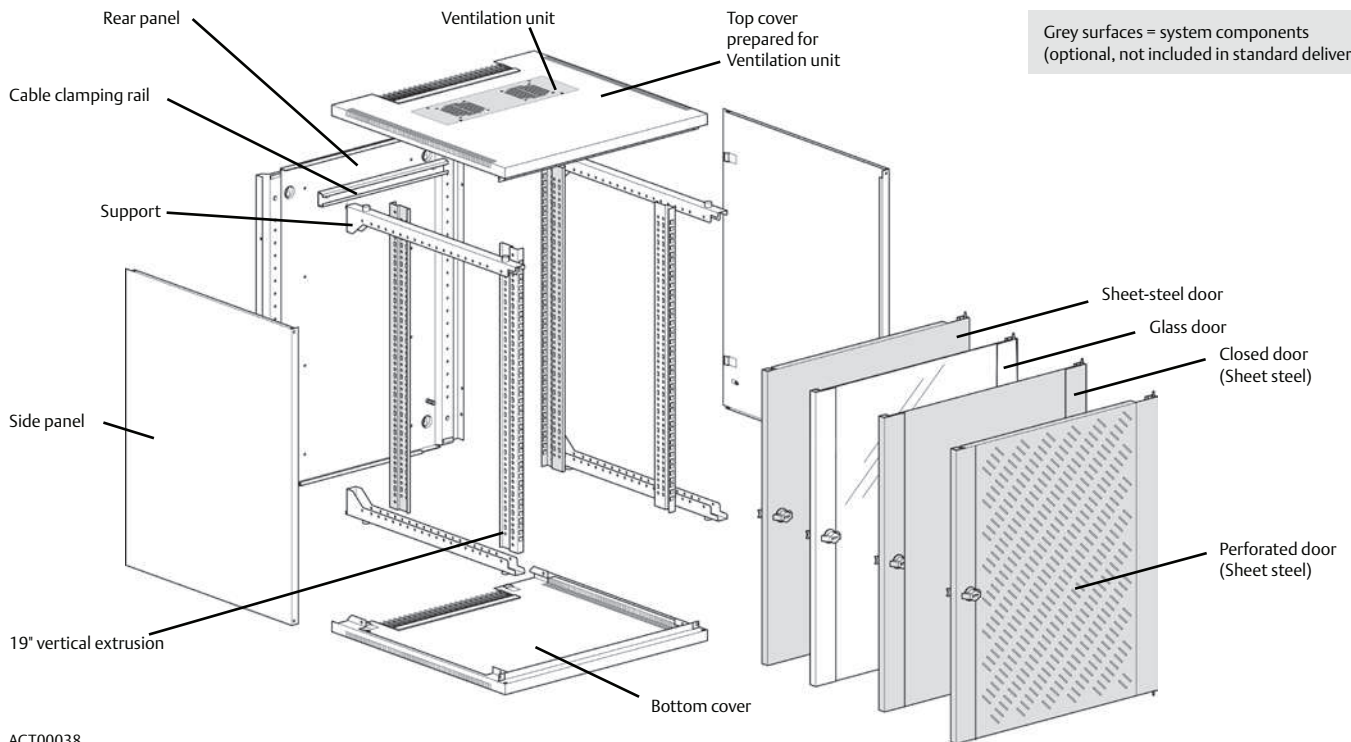
ACT00004

2. Mount rear panel



ACT00005

3. Mount supports and vertical extrusions



Knürr ConAct® Technical data

- 19" installation dimensions as per IEC 297-3**
 - Heights: 6 U / 9 HE / 12 U / 15 U / 18 U / 21 U / 24 U (1 U = 44.45 mm).
 - Widths: 482.6 mm (19").
- External dimensions**
 - Heights: 352 mm / 486 mm / 619 mm / 752 mm / 886 mm / 1019 mm / 1152 mm.
 - Widths: 600 mm.
 - Depths: 400 mm / 500 mm / 600 mm.
- Standards**
 - Grounding VDE 0100 T 540, EN 60950, EN 60529.
- Configurations**
 - Wall mounting.



ACT00006

4. Install cables and components



ACT00007

5. Fit covers into place

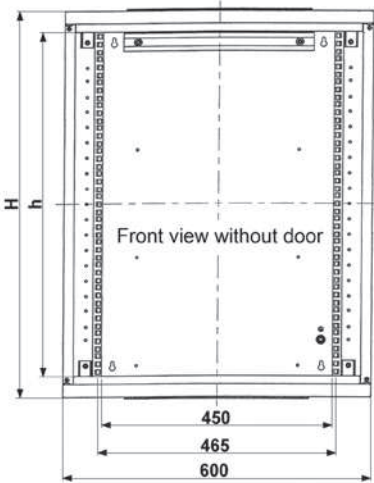
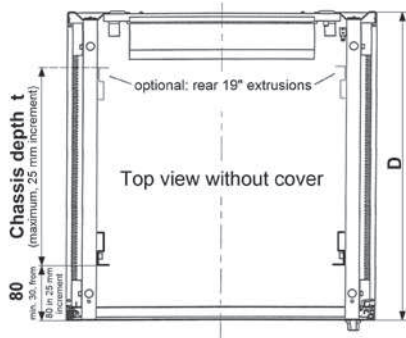


ACT00008

6. Installation is now complete.



ACT20053



ACT20041

Knürr ConAct® Standard 19" Wall-mounted Housing

Description

- For components compliant with IEC 297-3.
- Accessible from all sides; covers can be removed quickly.
- Cable routing via brush strip on top and bottom covers.
- Ventilation unit, optional (can easily be retrofitted).
- Front door with safety glass, lockable.

Color

- RAL 7035, light-grey.

Standard inclusion

- 1 x rear panel.
- 4 x mounting rails.
- 2 x 19" sheet-steel vertical extrusions.
- 1 x top cover, prepared for ventilation unit.
- 1 x bottom cover, closed.
- 2 x side panels.
- 1 x glass door.
- 1 x cable clamping rail.
- 1 x Mounting kit.

Jumpering space

- 80 mm (minimum 32, > 80 in 25 mm increments).

Load rating

- 500 N static.

Protection rating

- IP 20.

Material / Finish

- Rear panel and basic frame, sheet steel, zinc-passivated.
- Removable covers, powder-coated sheet steel.
- Front door, single safety glass panel, textured.
- 19" vertical extrusions, zinc-passivated sheet steel.

Delivery

- In parts.

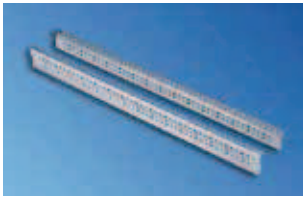
W	H	D	U	h	d (max.)	kg	Model	Order No.	UP
600	352	400	6	270	235	16	With glass door	05.010.000.1	1 unit
600	486	400	9	404	235	19	With glass door	05.010.001.1	1 unit
600	619	400	12	537	235	22	With glass door	05.010.002.1	1 unit
600	752	400	15	670	235	25	With glass door	05.010.003.1	1 unit
600	886	400	18	804	235	28	With glass door	05.010.004.1	1 unit
600	1019	400	21	937	235	31	With glass door	05.010.005.1	1 unit
600	1152	400	24	1070	235	34	With glass door	05.010.006.1	1 unit
600	352	500	6	270	335	18	With glass door	05.010.007.1	1 unit
600	486	500	9	404	335	21	With glass door	05.010.008.1	1 unit
600	619	500	12	537	335	24	With glass door	05.010.009.1	1 unit
600	752	500	15	670	335	28	With glass door	05.010.010.1	1 unit
600	886	500	18	804	335	31	With glass door	05.010.011.1	1 unit
600	1019	500	21	937	335	34	With glass door	05.010.012.1	1 unit
600	1152	500	24	1070	335	37	With glass door	05.010.013.1	1 unit
600	352	600	6	270	435	20	With glass door	05.010.014.1	1 unit
600	486	600	9	404	435	23	With glass door	05.010.015.1	1 unit
600	619	600	12	537	435	27	With glass door	05.010.016.1	1 unit
600	752	600	15	670	435	30	With glass door	05.010.017.1	1 unit
600	886	600	18	804	435	34	With glass door	05.010.018.1	1 unit
600	1019	600	21	937	435	37	With glass door	05.010.019.1	1 unit
600	1152	600	24	1070	435	41	With glass door	05.010.020.1	1 unit

Dimensions in mm:

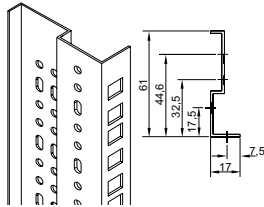
W = Width	h = Installation height	U = Standard rack unit	kg = Weight
H = Height	d = Usable depth	1 U = 44.45 mm	
D = Depth	L = Length	UP = Packaging unit	

Conversion:

1 mm = 0.03937 inch
1 kg = 2.2046 pounds



ACT00029



ACT00035

Knürr ConAct® 19" Vertical Extrusion

- Install in front and/or rear of housing.
- **Material / Finish**
- Sheet steel, 1.5 mm, zinc passivated.
- **Standard inclusion**
- 2 x vertical extrusions.
- 1 x Mounting kit.

W	H	D	U	h	d	kg	Model	Order No.	UP
			6					05.010.321.9	1 set
			9					05.010.322.9	1 set
			12					05.010.323.9	1 set
			15					05.010.324.9	1 set
			18					05.010.325.9	1 set
			21					05.010.326.9	1 set
			24					05.010.327.9	1 set



ACT20058



ACT20056



ACT20059

Knürr ConAct® Ventilation Unit with Thermostat

- Easy retrofitting of ventilation unit in top cover.
- With two axial fans.
- With thermostat.
- Available in two performance classes.
- **Material / Finish**
- Zinc-passivated sheet steel.
- **Technical data for single fan**
Type 1:
- Volume flow (free blowing): 162 m³/h per fan.
- Noise emission (free blowing): 37 dB(A).
Type 2 (quiet):
- Volume flow (free blowing): 120 m³/h per fan.
- Noise emission (free blowing): 32 dB(A).
- **Technical data for thermostat**
- Setting range: 0 to 60°C.
- Mains supply: 240 V / 50 Hz.
- Nominal current: 16 A.
- **Color**
- RAL 7035, light-grey.
- **Standard inclusion**
- 1 x ventilation unit ready for connection.
- 1 x Wired with thermostat.
- **Delivery**
- Assembled, wired and tested.

W	H	D	U	h	d	kg	Model	Order No.	UP
			Type 1					05.010.306.1	1 set
			Type 2 (quiet)					05.010.307.1	1 set



ACT20027



ACT20054

Knürr ConAct® Sheet Steel Door

- Alternative to glass door.
- **Material / Finish**
- Sheet steel, powder-coated texture.
- **Color**
- RAL 7035, light-grey.
- **Standard inclusion**
- 1 x steel door.
- 1 x Mounting kit.
- **Delivery**
- In sets.
- **Note**
If required, we also deliver our ConAct wall-mounted housing with a sheet-steel door. Please contact us at your leisure.

W	H	D	U	h	d	kg	Model	Order No.	UP
			6					05.010.421.1	1 unit
			9					05.010.422.1	1 unit
			12					05.010.423.1	1 unit
			15					05.010.424.1	1 unit
			18					05.010.425.1	1 unit
			21					05.010.426.1	1 unit
			24					05.010.427.1	1 unit



ACT00026

Knürr ConAct® Grounding Set

- For grounding all covers on housing frame.
- **Standard inclusion**
- 5 x grounding conductors, 6 mm².
- 1 x Mounting kit.

W	H	D	U	h	d	kg	Model	Order No.	UP
								05.010.330.9	1 set



MIR00641



ACT00006_A

Knürr ConAct® Cable Clamping Rail

- Cables secured with U-clamps, clamping bars or hammer-head threaded plate.
- For mounting on rear panel.
- **Material / Finish**
- Zinc-passivated sheet steel.
- **Standard inclusion**
- 1 x cable clamping rail.
- 1 x Mounting kit.
- **Delivery**
- In sets.

W	H	D	U	h	d	kg	Model	Order No.	UP
								05.010.340.9	1 set